



SECTION 10

WIRING DIAGRAMS AND SCHEMATICS



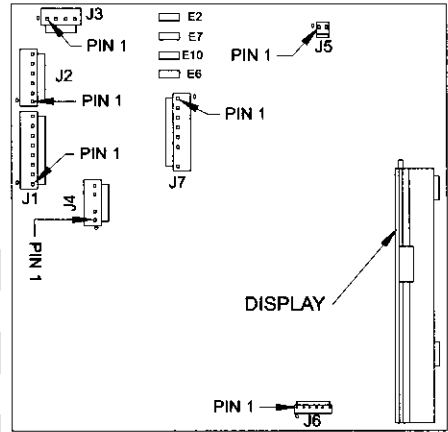
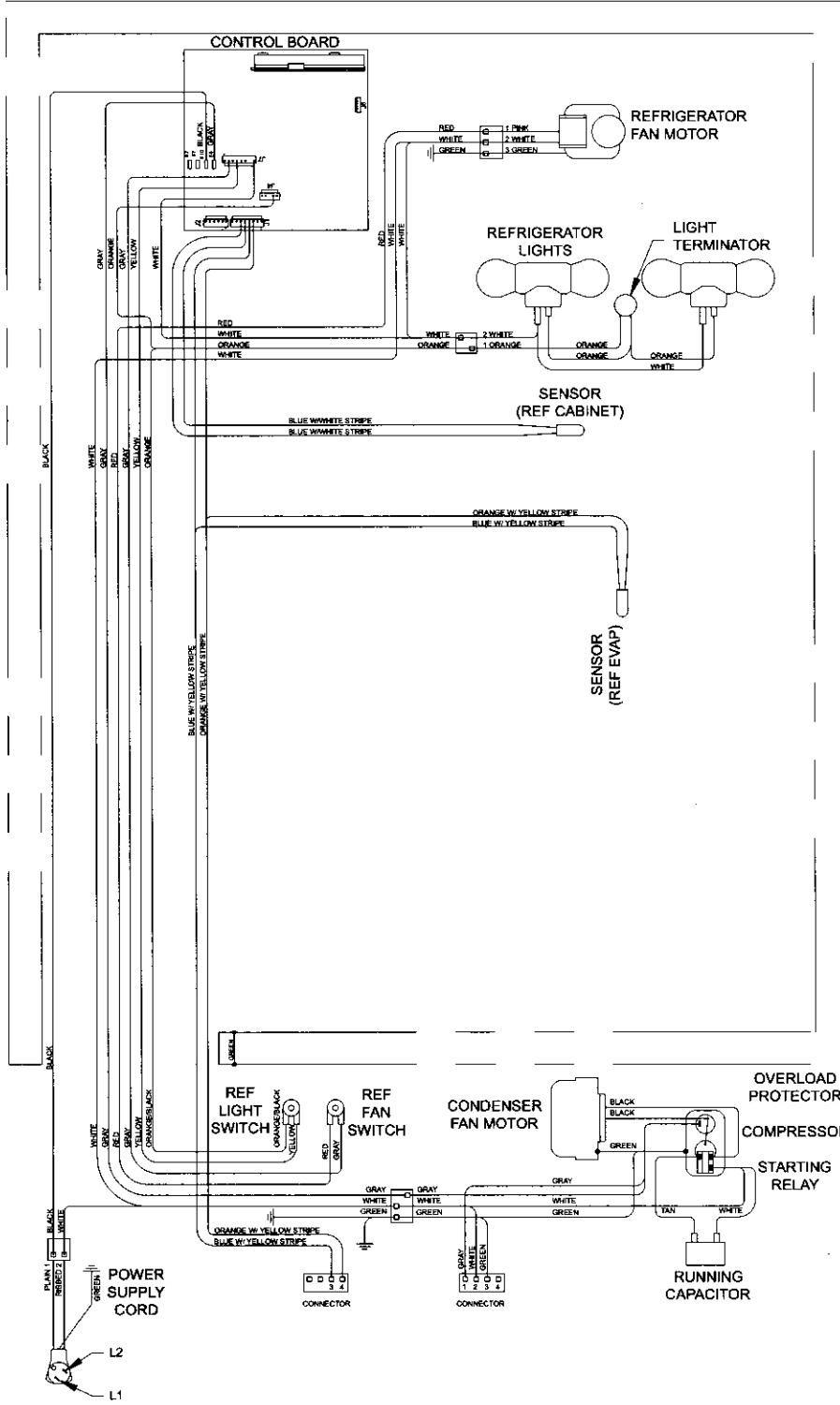
P/N 7001945 REV A

WIRING DIAGRAM

MODEL: 601R-3

⚠ WARNING

-This wiring information is provided for use by qualified service personnel only.
 -Disconnect appliance from electrical supply before beginning service.
 -Be sure all grounding devices are connected when service is complete.
 -Failure to observe the above warnings may result in severe electrical shock.



CIRCUIT	DESCRIPTION	FUNCTION	COLOR
E2	DEF HTR	NOT USED	
E7	FCOMP	NOT USED	
E10	L1	POWER INTO BOARD	BLACK
E6	RCOMP	POWERS REF COMPRESSOR AND CONDENSER FAN	GRAY
J7-1	C FAN	NOT USED	GRAY
J7-2	REF EVAP FAN	POWERS REF EVAP FAN	YELLOW
J7-3	LITES	NOT USED	
J7-4	LITES	NOT USED	
J7-5	LITES	NOT USED	
J7-6	NEU	NEUTRAL INTO BOARD	WHITE
J7-7	NEU	NOT USED	
J4-1	REF DOOR LIGHT SENSE	SENSES IF REF DOOR OPEN	ORANGE
J4-2	REF DOOR LIGHT SENSE	NOT USED	
J4-3	REF DOOR LIGHT SENSE	NOT USED	
J4-4	REF DOOR LIGHT SENSE	NOT USED	
J4-5	REF DOOR LIGHT SENSE	NOT USED	
J1-1	LOW VOLTAGE THERMISTOR CIRCUITS	NOT USED	
J1-2	LOW VOLTAGE THERMISTOR CIRCUITS	NOT USED	
J1-3	LOW VOLTAGE THERMISTOR CIRCUITS	NOT USED	
J1-4	LOW VOLTAGE THERMISTOR CIRCUITS	NOT USED	
J1-5	LOW VOLTAGE THERMISTOR CIRCUITS	NOT USED	
J1-6	LOW VOLTAGE THERMISTOR CIRCUITS	NOT USED	
J1-7	LOW VOLTAGE THERMISTOR CIRCUITS	NOT USED	
J1-8	LOW VOLTAGE THERMISTOR CIRCUITS	NOT USED	

P/N 7001945 REV A

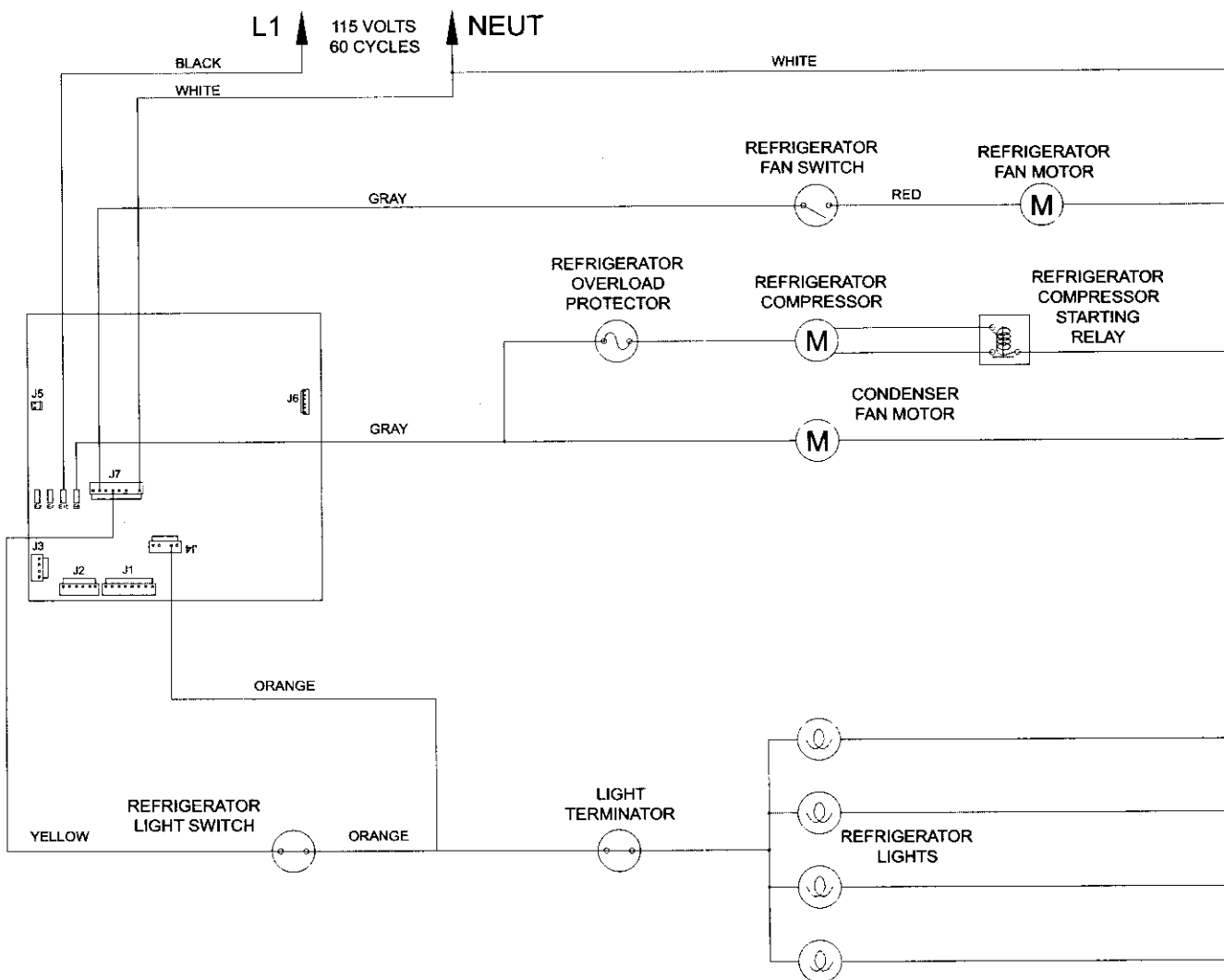
WIRING SCHEMATIC

MODEL: 601R-3

WARNING

- This wiring information is provided for use by qualified service personnel only.
- Disconnect appliance from electrical supply before beginning service.
- Be sure all grounding devices are connected when service is complete.
- Failure to observe the above warnings may result in severe electrical shock.

HIGH VOLTAGE WIRING SCHEMATIC

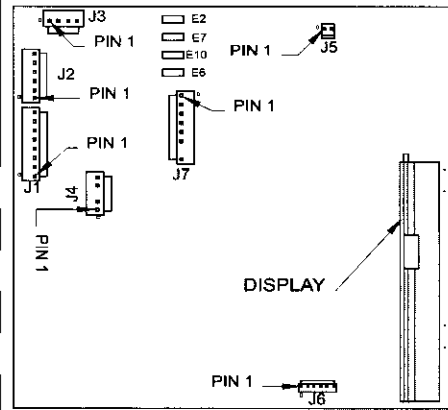
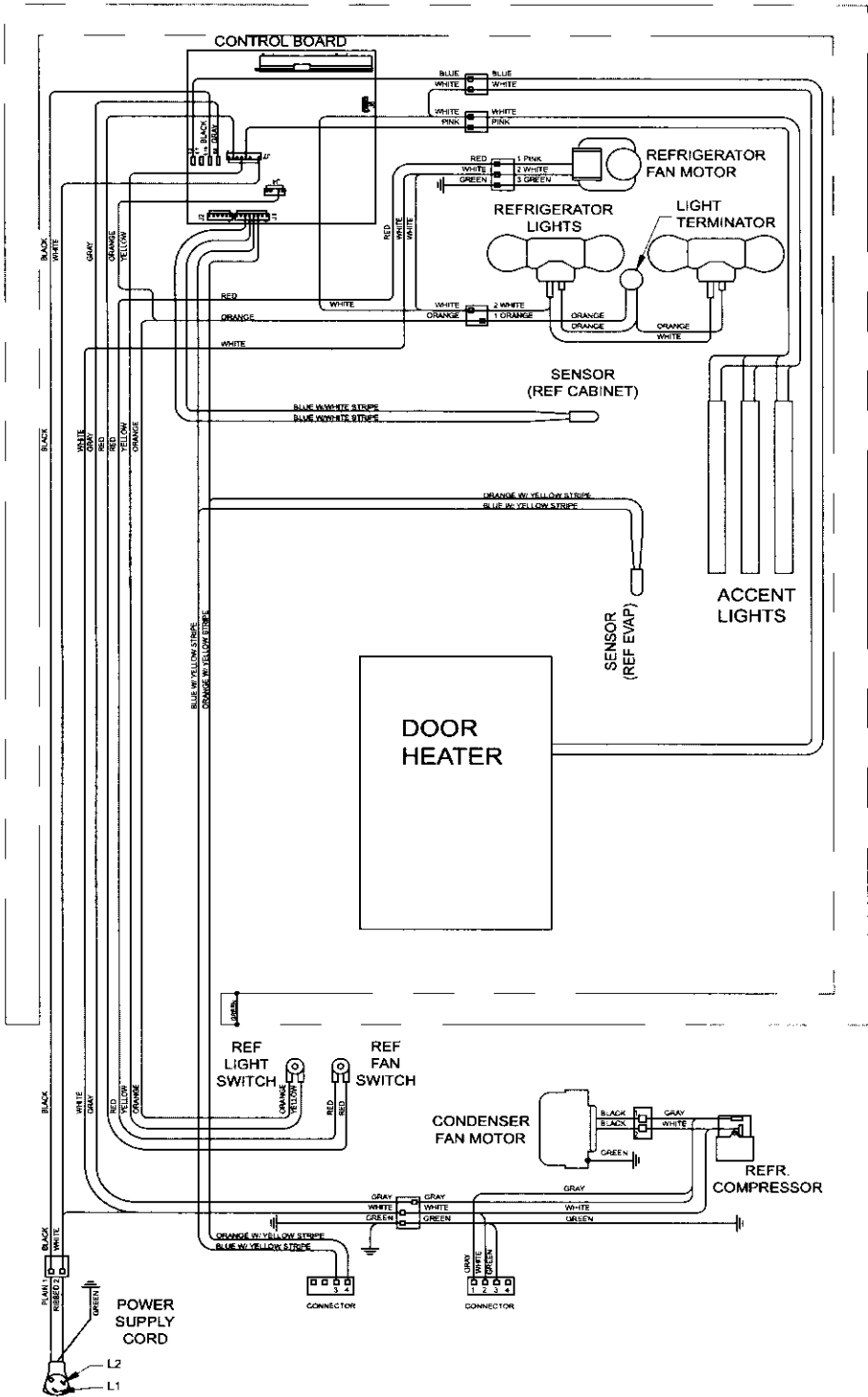


WIRING DIAGRAM

MODEL: 601RG-3

WARNING

- This wiring information is provided for use by qualified service personnel only.
- Disconnect appliance from electrical supply before beginning service.
- Be sure all grounding devices are connected when service is complete.
- Failure to observe the above warnings may result in severe electrical shock.



CONTROL BOARD DETAIL

CONTROL BOARD SUMMARY

CIRCUIT	DESCRIPTION	FUNCTION	COLOR
E2	120 VOLT CIRCUITS	POWERS DOOR HEATER	BLUE
E7	DOOR HEATER	POWERS DOOR HEATER	BLACK
E0	FOAMP	POWER INTO BOARD	GRAY
E5	POWER IN	POWERS REF COMPRESSOR AND CONDENSER FAN	GRAY
J1-1	REF COMPRESSOR	POWERS REF COMPRESSOR AND CONDENSER FAN	RED
J1-2	C FAN	POWERS REF EVAP FAN	YELLOW
J1-3	E FAN	POWERS REF EVAP FAN	PINK
J1-4	LIGHTS	POWERS LIGHTS	WHITE
J1-5	ICE	ACCENT LIGHTS	ORANGE
J1-6	NOT USED	NEUTRAL INTO BOARD	ORANGE
J1-7	NOT USED (NO PIN)	SENSES IF REF DOOR OPEN	ORANGE/YLW
J1-8	NEU	SENSES IF REF DOOR OPEN	BLUE/YLW
J1-1	NOT USED	SENSES REF EVAP TEMP	BLUE/YLW
J1-2	NOT USED	SENSES REF EVAP TEMP	BLUE/YLW
J1-3	NOT USED	SENSES REF CABINET TEMP	BLUE/WHITE
J1-4	REF EVAP	SENSES REF CABINET TEMP	BLUE/WHITE
J1-5	REF COMPARTMENT	SENSES REF CABINET TEMP	BLUE/WHITE
J1-6	REF COMPARTMENT	SENSES REF CABINET TEMP	BLUE/WHITE
J1-7	NOT USED	NOT USED	
J1-8	NOT USED	NOT USED	

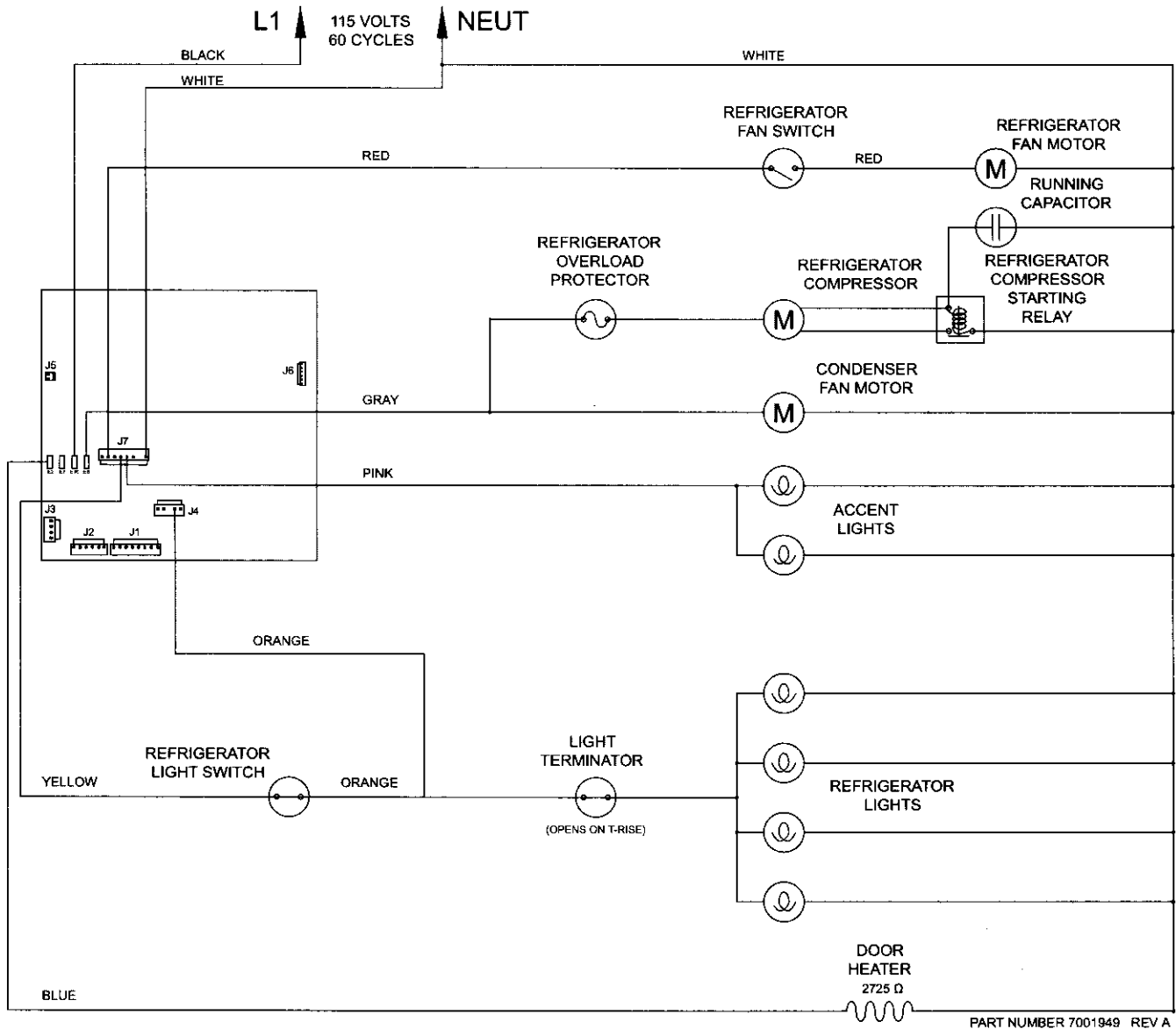
PART NUMBER 7001949 REV A

WIRING SCHEMATIC MODEL: 601RG-3

⚠ WARNING

-This wiring information is provided for use by qualified service personnel only.
 -Disconnect appliance from electrical supply before beginning service.
 -Be sure all grounding devices are connected when service is complete.
 -Failure to observe the above warnings may result in severe electrical shock.

HIGH VOLTAGE WIRING SCHEMATIC

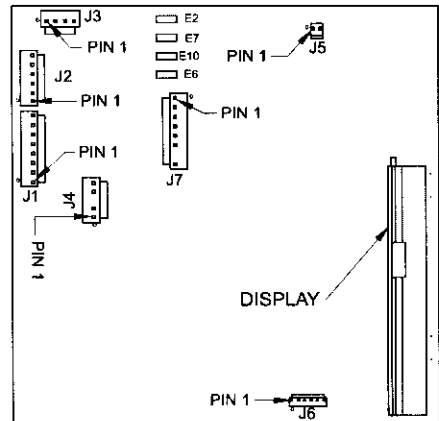
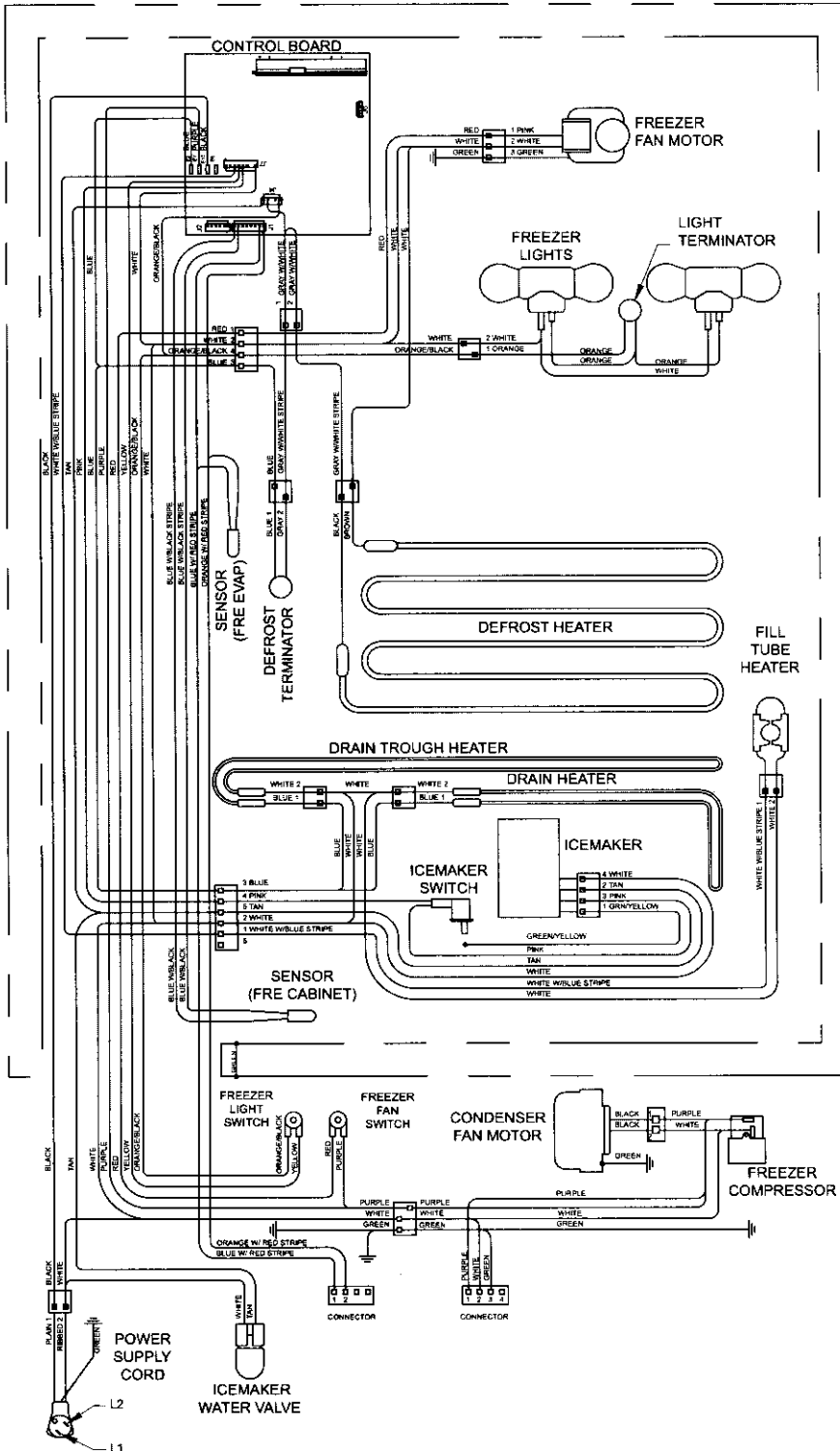


WIRING DIAGRAM

MODEL: 601F-3

WARNING

- The wiring information is provided for use by qualified service personnel only.
- Disconnect appliance from electrical supply before beginning service.
- Be sure all grounding devices are connected when service is complete.
- Failure to observe the above warnings may result in severe electrical shock.



CONTROL BOARD DETAIL

CONTROL BOARD SUMMARY

CIRCUIT	DESCRIPTION	FUNCTION	COLOR
E2	DEFROST HEATER	120 VOLT CIRCUITS	BLUE
E7	FRZ COMPRESSOR	POWERS DEFROST CIRCUIT	PURPLE
E10	POWER IN	POWERS FRZ COMPRESSOR AND CONDENSER FAN	BLACK
E6	NOT USED	POWER INTO BOARD	
J7-1	NOT USED	POWERS FILL TUBE HEATER AND ACCESSORIES	WHITE/BLUE STRIPE
J7-2	NOT USED	POWERS LIGHTS	WHITE/BLUE STRIPE
J7-3	NOT USED	POWERS ICE MAKER	YELLOW
J7-4	NOT USED	POWERS ICE MAKER	PINK
J7-5	NOT USED	POWERS ICE MAKER	ORANGE/RED
J7-6	NOT USED	POWERS ICE MAKER	BLU/RED
J7-7	NOT USED	NEUTRAL INTO BOARD	WHITE
J7-8	FRZ DOOR LIGHT SENSE	SENSES IF FRZ DOOR OPEN	ORANGE/BLACK
J7-9	NOT USED	SENSES WHEN DEF HEATER SHUTS OFF	GRAY/WHITE
J4-1	NOT USED	SENSES WATER VALVE ACTIVATION	TAN
J4-2	NOT USED	SENSES WATER VALVE ACTIVATION	ORANGE/RED
J4-3	NOT USED	LOW VOLTAGE THERMISTOR CIRCUITS	BLU/RED
J4-4	NOT USED	SENSES FRZ EVAP TEMP	BLU/RED
J4-5	NOT USED	SENSES FRZ EVAP TEMP	BLU/RED
J1-1	FRZ EVAP	SENSES FRZ EVAP TEMP	BLU/BLACK
J1-2	FRZ EVAP	SENSES FRZ EVAP TEMP	BLU/BLACK
J1-3	NOT USED		
J1-4	NOT USED		
J1-5	NOT USED		
J1-6	FRZ COMPARTMENT	SENSES FRZ CABINET TEMP	BLU/BLACK
J1-7	FRZ COMPARTMENT	SENSES FRZ CABINET TEMP	BLU/BLACK
J1-8	FRZ COMPARTMENT	SENSES FRZ CABINET TEMP	BLU/BLACK
J1-9	FRZ COMPARTMENT	SENSES FRZ CABINET TEMP	BLU/BLACK

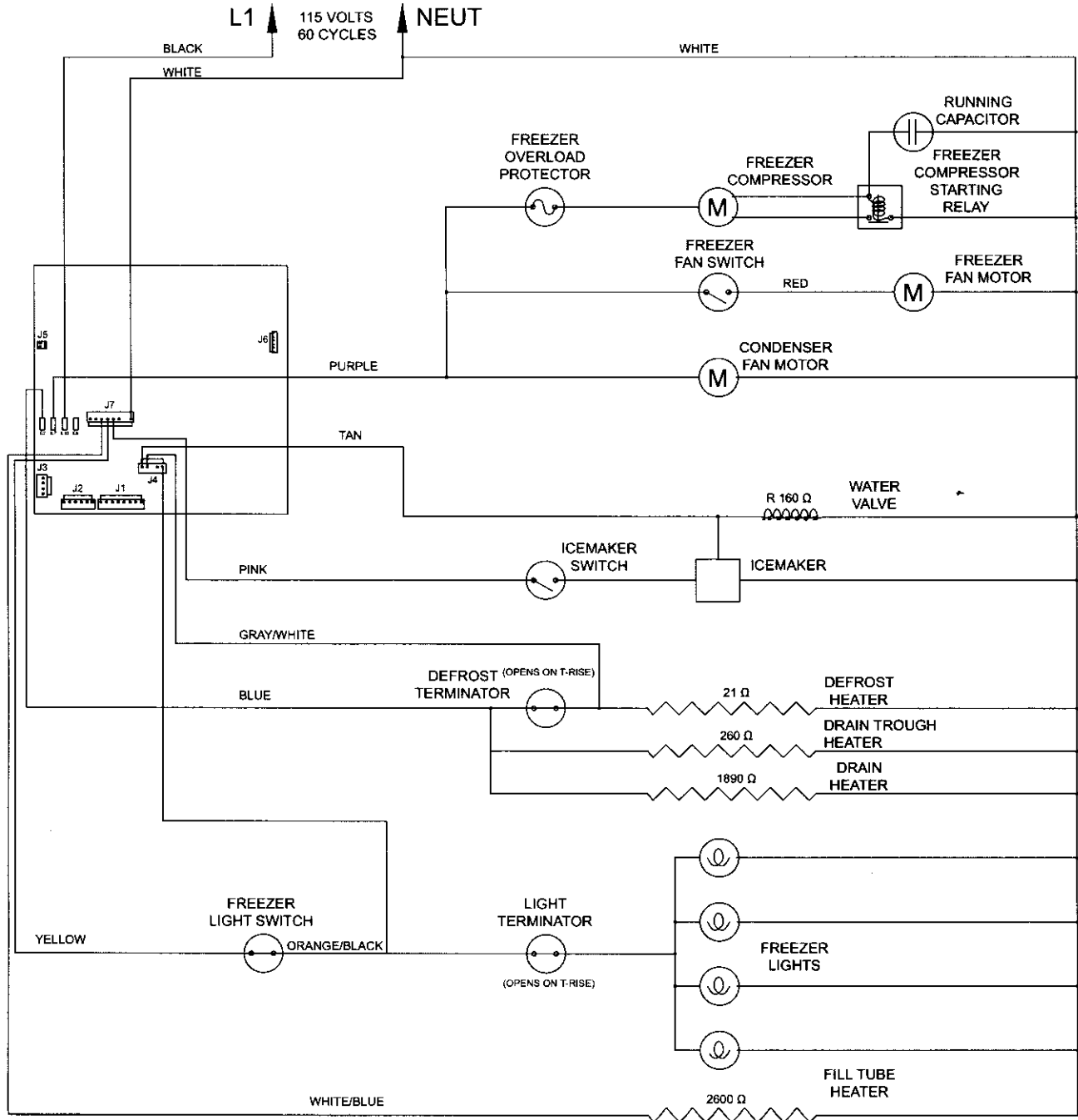
PART NUMBER 7002529 REV A

WIRING SCHEMATIC MODEL: 601F-3

⚠ WARNING

-This wiring information is provided for use by qualified service personnel only.
 -Disconnect appliance from electrical supply before beginning service.
 -Be sure all grounding devices are connected when service is complete.
 -Failure to observe the above warnings may result in severe electrical shock.

HIGH VOLTAGE WIRING SCHEMATIC

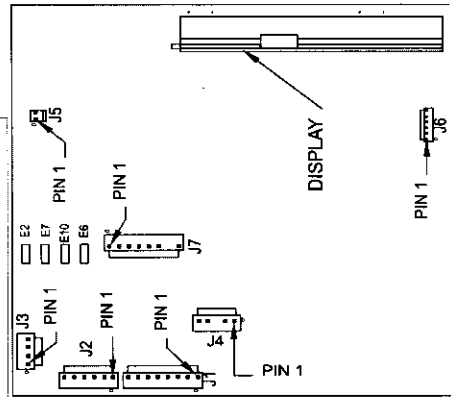
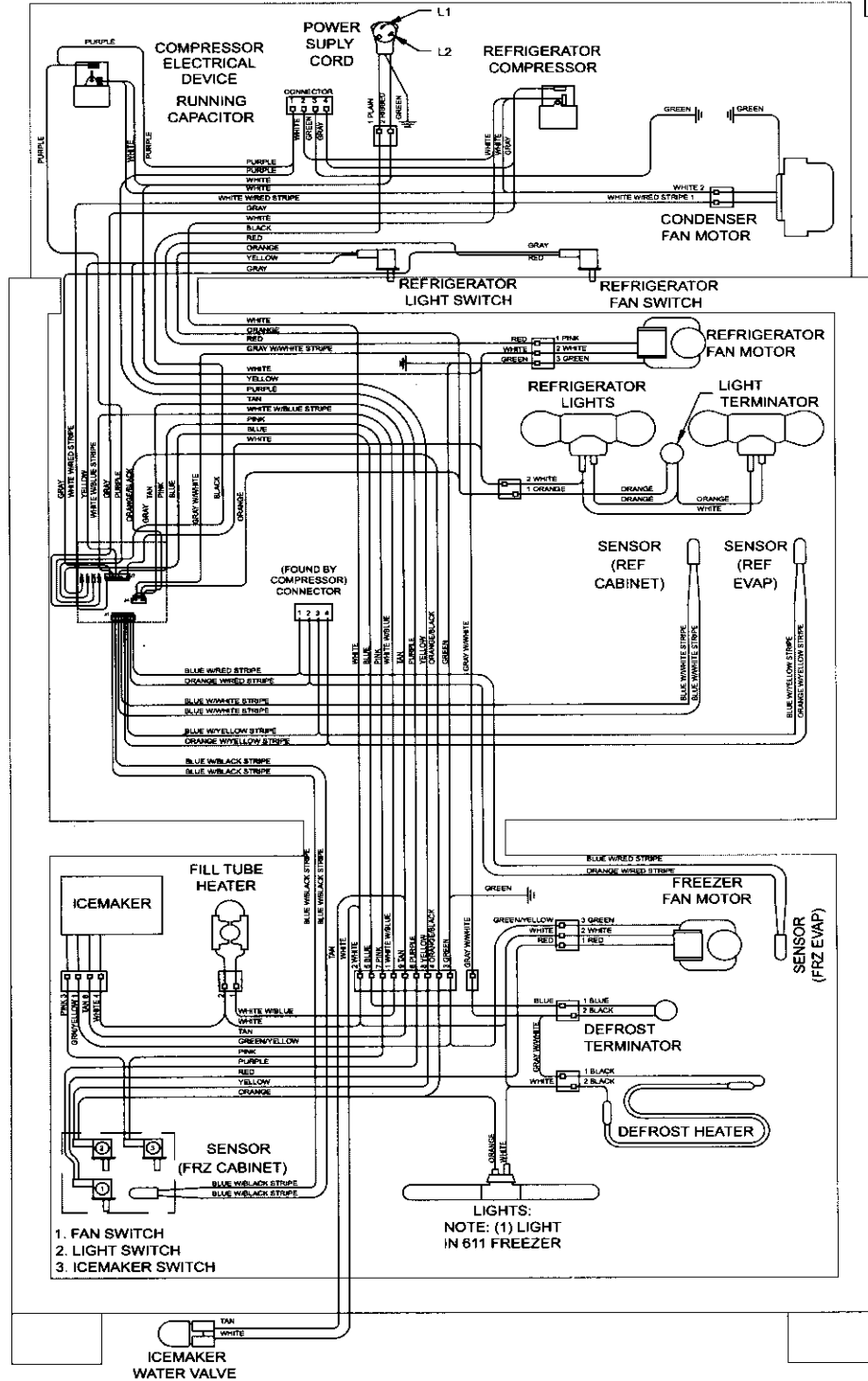


PART NUMBER 7002529 REV A

WIRING DIAGRAM MODELS: 611-3 & 650-3

WARNING

- This wiring information is provided for use by qualified service personnel only.
- Disconnect appliance from electrical supply before beginning service.
- Be sure all grounding devices are connected when service is complete.
- Failure to observe the above warnings may result in severe electrical shock.



CONTROL BOARD SUMMARY

CIRCUIT	DESCRIPTION	FUNCTION	COLOR
E7	120 VOLT CIRCUITS	POWER DISCONNECT CIRCUIT	BLUE
E6	REF COMP	POWER REF COMPRESSOR	PURPLE
E8	REF COMP	POWER INTO BOARD	BLACK
E9	REF COMP	POWER REF COMPRESSOR	WHITE
J1	REF FAN	POWER REFRIGERATOR FAN	WHITE/RED
J2	REF FAN	POWER REFRIGERATOR FAN	GRAY
J3	ICE MANGER ACC (FILL TUBE)	POWER FILL TUBE HEATER AND ACCESSORIES	WHITE/BLUE
J4	LITE	POWER LIGHTS	YELLOW
J5	NOT USED	POWER ICE MANGER	PINK
J6	NOT USED (NO PIN)		
J7	NEUTRAL	NEUTRAL	BROWN
J8	REF DOOR LIGHT SENSE	SENSES IF REF DOOR OPEN	ORANGE/BLACK
J9	REF DOOR LIGHT SENSE	SENSES IF REF DOOR OPEN	GREEN/WHITE
J10	NOT USED (NO PIN)		TAN
J11	ICE SENSE	SENSES WHEN ICE VALVE ACTUATOR	ORANGE/RED
J12	LOW VOLTAGE THERMISTOR CIRCUITS		ORANGE/YELLOW
J13	REF EVAP	SENSES REF EVAP TEMP	BLUE/YELLOW
J14	REF EVAP	SENSES REF EVAP TEMP	BLUE/YELLOW
J15	REF EVAP	SENSES REF EVAP TEMP	BLUE/YELLOW
J16	REF COMPARTMENT	SENSES REF CABINET TEMP	BLUE/WHITE
J17	REF COMPARTMENT	SENSES REF CABINET TEMP	BLUE/WHITE
J18	REF COMPARTMENT	SENSES REF CABINET TEMP	BLUE/BLACK
J19	REF COMPARTMENT	SENSES REF CABINET TEMP	BLUE/BLACK

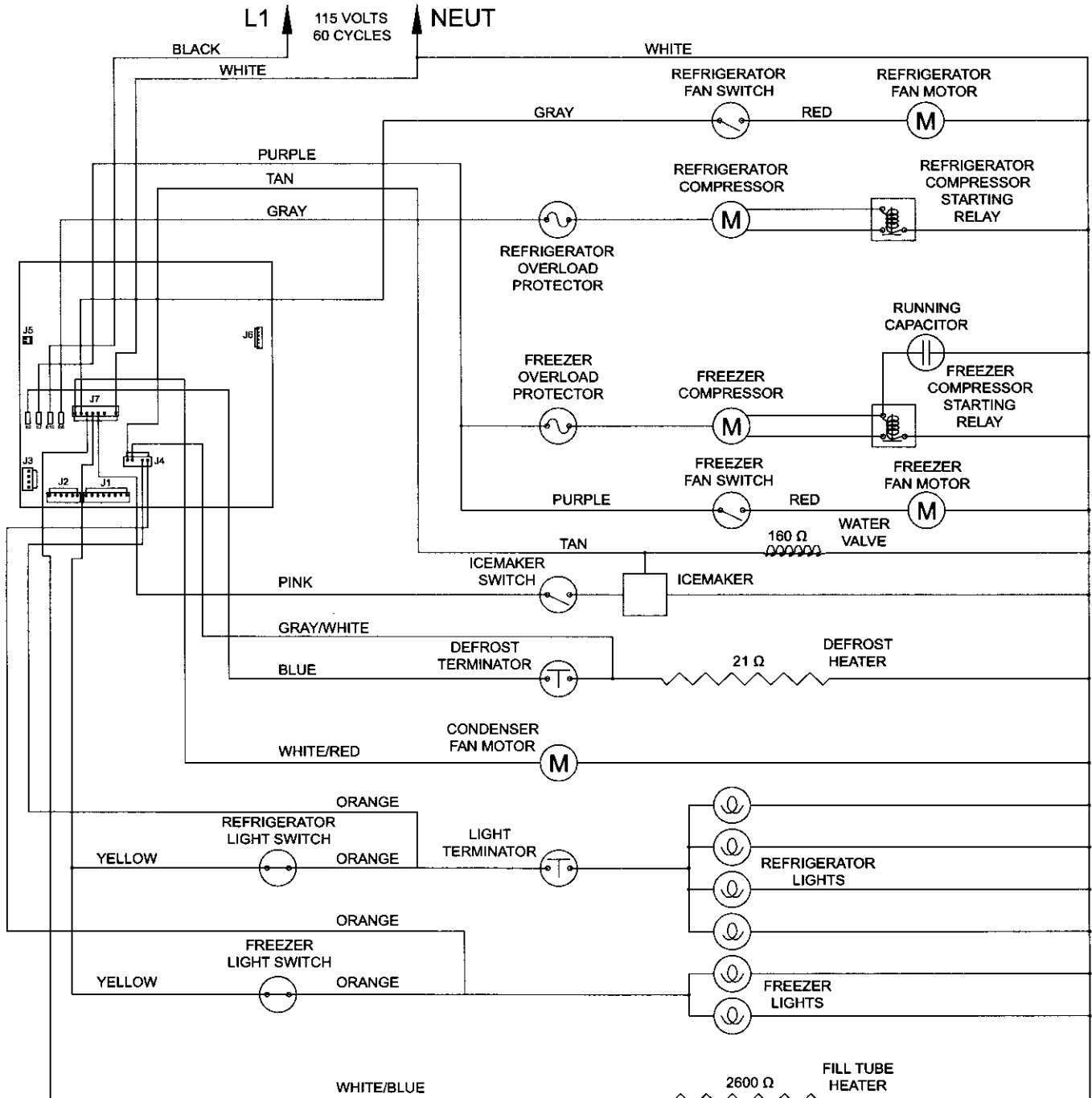
P/N 7001676 REV B

WIRING SCHEMATIC

MODELS: 611-3 & 650-3

⚠ WARNING

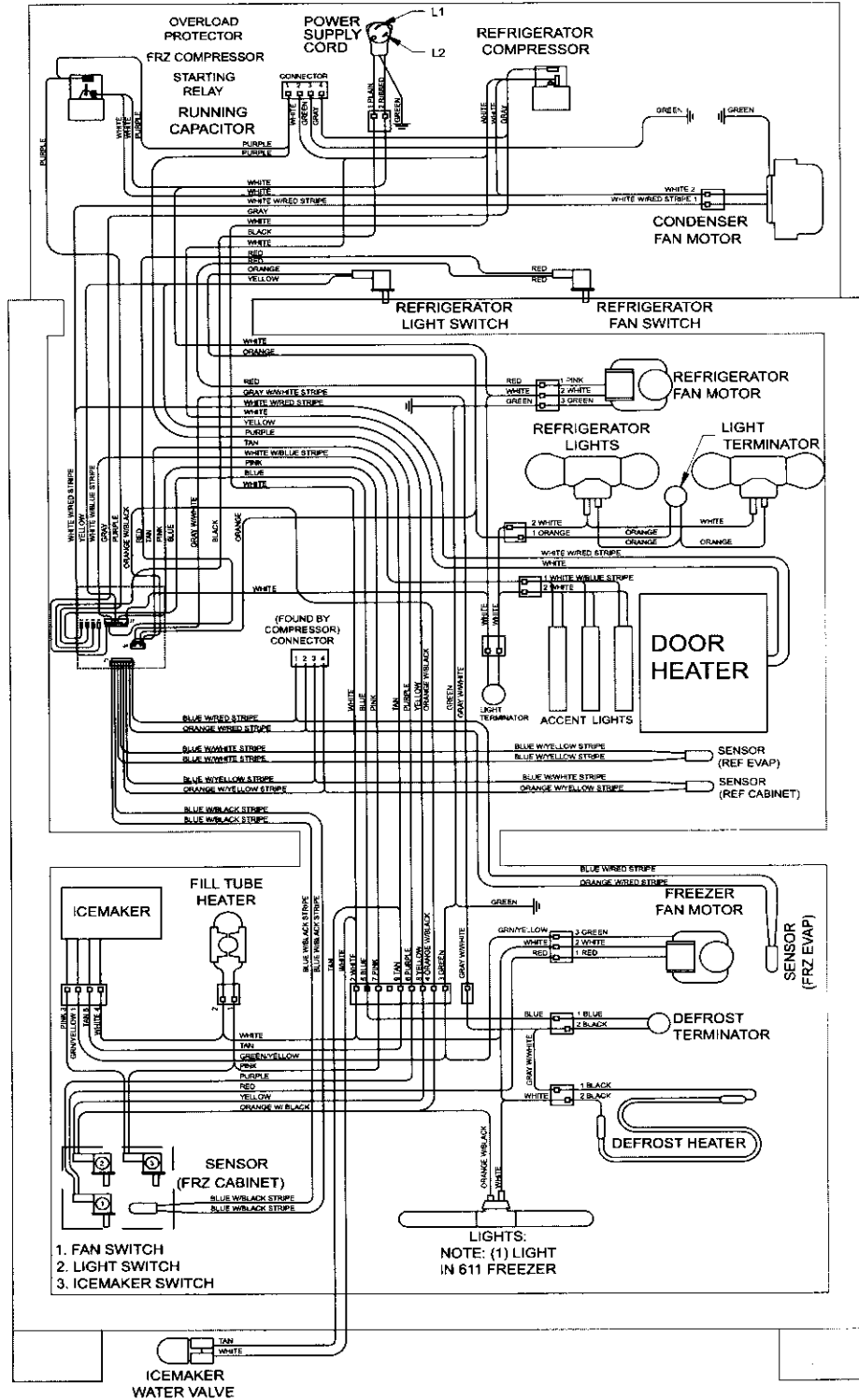
-This wiring information is provided for use by qualified service personnel only.
 -Disconnect appliance from electrical supply before beginning service.
 -Be sure all grounding devices are connected when service is complete.
 -Failure to observe the above warnings may result in severe electrical shock.



P/N 7001676 REV B

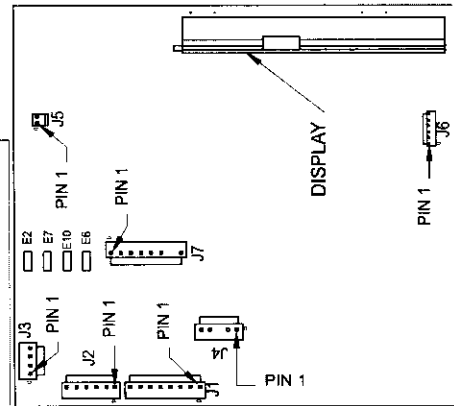


WIRING DIAGRAM MODELS: 611G-3 & 650G-3



⚠ WARNING

- This wiring information is provided for use by qualified service personnel only.
- Disconnect appliance from electrical supply before beginning service.
- Be sure all grounding devices are connected when service is complete.
- Failure to observe the above warnings may result in severe electrical shock.



CIRCUIT	DESCRIPTION	FUNCTION	COLOR
E1	120 VOLT CIRCUITS	POWER TO DEFROST CIRCUIT	BLUE
E2	120 VOLT CIRCUITS	POWER TO FRZ COMPRESSOR	PURPLE
E3	120 VOLT CIRCUITS	POWER TO R/C BOARD	BLACK
E4	120 VOLT CIRCUITS	POWER TO REF COMPRESSOR	WHITE
E5	120 VOLT CIRCUITS	POWER TO DEFROST HEATER	RED
E6	120 VOLT CIRCUITS	POWER TO REF FAN FAN	WHITE/BLUE
E7	120 VOLT CIRCUITS	POWER TO ACCENT LIGHTS	YELLOW
E8	120 VOLT CIRCUITS	POWER TO ICE TUBE HEATER	PINK
E9	120 VOLT CIRCUITS	POWER TO ICE TUBE HEATER	ORANGE
E10	120 VOLT CIRCUITS	POWER TO ICE TUBE HEATER	GRAY/WHITE
E11	120 VOLT CIRCUITS	POWER TO ICE TUBE HEATER	TAN
E12	120 VOLT CIRCUITS	POWER TO ICE TUBE HEATER	ORANGE/RED
E13	120 VOLT CIRCUITS	POWER TO ICE TUBE HEATER	ORANGE/YELLOW
E14	120 VOLT CIRCUITS	POWER TO ICE TUBE HEATER	BLUE/YELLOW
E15	120 VOLT CIRCUITS	POWER TO ICE TUBE HEATER	BLUE/WHITE
E16	120 VOLT CIRCUITS	POWER TO ICE TUBE HEATER	BLUE/YELLOW
E17	120 VOLT CIRCUITS	POWER TO ICE TUBE HEATER	BLUE/BLACK
E18	120 VOLT CIRCUITS	POWER TO ICE TUBE HEATER	BLUE/BLACK
E19	120 VOLT CIRCUITS	POWER TO ICE TUBE HEATER	BLUE/BLACK
E20	120 VOLT CIRCUITS	POWER TO ICE TUBE HEATER	BLUE/BLACK
E21	120 VOLT CIRCUITS	POWER TO ICE TUBE HEATER	BLUE/BLACK
E22	120 VOLT CIRCUITS	POWER TO ICE TUBE HEATER	BLUE/BLACK
E23	120 VOLT CIRCUITS	POWER TO ICE TUBE HEATER	BLUE/BLACK
E24	120 VOLT CIRCUITS	POWER TO ICE TUBE HEATER	BLUE/BLACK
E25	120 VOLT CIRCUITS	POWER TO ICE TUBE HEATER	BLUE/BLACK
E26	120 VOLT CIRCUITS	POWER TO ICE TUBE HEATER	BLUE/BLACK
E27	120 VOLT CIRCUITS	POWER TO ICE TUBE HEATER	BLUE/BLACK
E28	120 VOLT CIRCUITS	POWER TO ICE TUBE HEATER	BLUE/BLACK
E29	120 VOLT CIRCUITS	POWER TO ICE TUBE HEATER	BLUE/BLACK
E30	120 VOLT CIRCUITS	POWER TO ICE TUBE HEATER	BLUE/BLACK
E31	120 VOLT CIRCUITS	POWER TO ICE TUBE HEATER	BLUE/BLACK
E32	120 VOLT CIRCUITS	POWER TO ICE TUBE HEATER	BLUE/BLACK
E33	120 VOLT CIRCUITS	POWER TO ICE TUBE HEATER	BLUE/BLACK
E34	120 VOLT CIRCUITS	POWER TO ICE TUBE HEATER	BLUE/BLACK
E35	120 VOLT CIRCUITS	POWER TO ICE TUBE HEATER	BLUE/BLACK
E36	120 VOLT CIRCUITS	POWER TO ICE TUBE HEATER	BLUE/BLACK
E37	120 VOLT CIRCUITS	POWER TO ICE TUBE HEATER	BLUE/BLACK
E38	120 VOLT CIRCUITS	POWER TO ICE TUBE HEATER	BLUE/BLACK
E39	120 VOLT CIRCUITS	POWER TO ICE TUBE HEATER	BLUE/BLACK
E40	120 VOLT CIRCUITS	POWER TO ICE TUBE HEATER	BLUE/BLACK
E41	120 VOLT CIRCUITS	POWER TO ICE TUBE HEATER	BLUE/BLACK
E42	120 VOLT CIRCUITS	POWER TO ICE TUBE HEATER	BLUE/BLACK
E43	120 VOLT CIRCUITS	POWER TO ICE TUBE HEATER	BLUE/BLACK
E44	120 VOLT CIRCUITS	POWER TO ICE TUBE HEATER	BLUE/BLACK
E45	120 VOLT CIRCUITS	POWER TO ICE TUBE HEATER	BLUE/BLACK
E46	120 VOLT CIRCUITS	POWER TO ICE TUBE HEATER	BLUE/BLACK
E47	120 VOLT CIRCUITS	POWER TO ICE TUBE HEATER	BLUE/BLACK
E48	120 VOLT CIRCUITS	POWER TO ICE TUBE HEATER	BLUE/BLACK
E49	120 VOLT CIRCUITS	POWER TO ICE TUBE HEATER	BLUE/BLACK
E50	120 VOLT CIRCUITS	POWER TO ICE TUBE HEATER	BLUE/BLACK
E51	120 VOLT CIRCUITS	POWER TO ICE TUBE HEATER	BLUE/BLACK
E52	120 VOLT CIRCUITS	POWER TO ICE TUBE HEATER	BLUE/BLACK
E53	120 VOLT CIRCUITS	POWER TO ICE TUBE HEATER	BLUE/BLACK
E54	120 VOLT CIRCUITS	POWER TO ICE TUBE HEATER	BLUE/BLACK
E55	120 VOLT CIRCUITS	POWER TO ICE TUBE HEATER	BLUE/BLACK
E56	120 VOLT CIRCUITS	POWER TO ICE TUBE HEATER	BLUE/BLACK
E57	120 VOLT CIRCUITS	POWER TO ICE TUBE HEATER	BLUE/BLACK
E58	120 VOLT CIRCUITS	POWER TO ICE TUBE HEATER	BLUE/BLACK
E59	120 VOLT CIRCUITS	POWER TO ICE TUBE HEATER	BLUE/BLACK
E60	120 VOLT CIRCUITS	POWER TO ICE TUBE HEATER	BLUE/BLACK
E61	120 VOLT CIRCUITS	POWER TO ICE TUBE HEATER	BLUE/BLACK
E62	120 VOLT CIRCUITS	POWER TO ICE TUBE HEATER	BLUE/BLACK
E63	120 VOLT CIRCUITS	POWER TO ICE TUBE HEATER	BLUE/BLACK
E64	120 VOLT CIRCUITS	POWER TO ICE TUBE HEATER	BLUE/BLACK
E65	120 VOLT CIRCUITS	POWER TO ICE TUBE HEATER	BLUE/BLACK
E66	120 VOLT CIRCUITS	POWER TO ICE TUBE HEATER	BLUE/BLACK
E67	120 VOLT CIRCUITS	POWER TO ICE TUBE HEATER	BLUE/BLACK
E68	120 VOLT CIRCUITS	POWER TO ICE TUBE HEATER	BLUE/BLACK
E69	120 VOLT CIRCUITS	POWER TO ICE TUBE HEATER	BLUE/BLACK
E70	120 VOLT CIRCUITS	POWER TO ICE TUBE HEATER	BLUE/BLACK
E71	120 VOLT CIRCUITS	POWER TO ICE TUBE HEATER	BLUE/BLACK
E72	120 VOLT CIRCUITS	POWER TO ICE TUBE HEATER	BLUE/BLACK
E73	120 VOLT CIRCUITS	POWER TO ICE TUBE HEATER	BLUE/BLACK
E74	120 VOLT CIRCUITS	POWER TO ICE TUBE HEATER	BLUE/BLACK
E75	120 VOLT CIRCUITS	POWER TO ICE TUBE HEATER	BLUE/BLACK
E76	120 VOLT CIRCUITS	POWER TO ICE TUBE HEATER	BLUE/BLACK
E77	120 VOLT CIRCUITS	POWER TO ICE TUBE HEATER	BLUE/BLACK
E78	120 VOLT CIRCUITS	POWER TO ICE TUBE HEATER	BLUE/BLACK
E79	120 VOLT CIRCUITS	POWER TO ICE TUBE HEATER	BLUE/BLACK
E80	120 VOLT CIRCUITS	POWER TO ICE TUBE HEATER	BLUE/BLACK
E81	120 VOLT CIRCUITS	POWER TO ICE TUBE HEATER	BLUE/BLACK
E82	120 VOLT CIRCUITS	POWER TO ICE TUBE HEATER	BLUE/BLACK
E83	120 VOLT CIRCUITS	POWER TO ICE TUBE HEATER	BLUE/BLACK
E84	120 VOLT CIRCUITS	POWER TO ICE TUBE HEATER	BLUE/BLACK
E85	120 VOLT CIRCUITS	POWER TO ICE TUBE HEATER	BLUE/BLACK
E86	120 VOLT CIRCUITS	POWER TO ICE TUBE HEATER	BLUE/BLACK
E87	120 VOLT CIRCUITS	POWER TO ICE TUBE HEATER	BLUE/BLACK
E88	120 VOLT CIRCUITS	POWER TO ICE TUBE HEATER	BLUE/BLACK
E89	120 VOLT CIRCUITS	POWER TO ICE TUBE HEATER	BLUE/BLACK
E90	120 VOLT CIRCUITS	POWER TO ICE TUBE HEATER	BLUE/BLACK
E91	120 VOLT CIRCUITS	POWER TO ICE TUBE HEATER	BLUE/BLACK
E92	120 VOLT CIRCUITS	POWER TO ICE TUBE HEATER	BLUE/BLACK
E93	120 VOLT CIRCUITS	POWER TO ICE TUBE HEATER	BLUE/BLACK
E94	120 VOLT CIRCUITS	POWER TO ICE TUBE HEATER	BLUE/BLACK
E95	120 VOLT CIRCUITS	POWER TO ICE TUBE HEATER	BLUE/BLACK
E96	120 VOLT CIRCUITS	POWER TO ICE TUBE HEATER	BLUE/BLACK
E97	120 VOLT CIRCUITS	POWER TO ICE TUBE HEATER	BLUE/BLACK
E98	120 VOLT CIRCUITS	POWER TO ICE TUBE HEATER	BLUE/BLACK
E99	120 VOLT CIRCUITS	POWER TO ICE TUBE HEATER	BLUE/BLACK
E100	120 VOLT CIRCUITS	POWER TO ICE TUBE HEATER	BLUE/BLACK

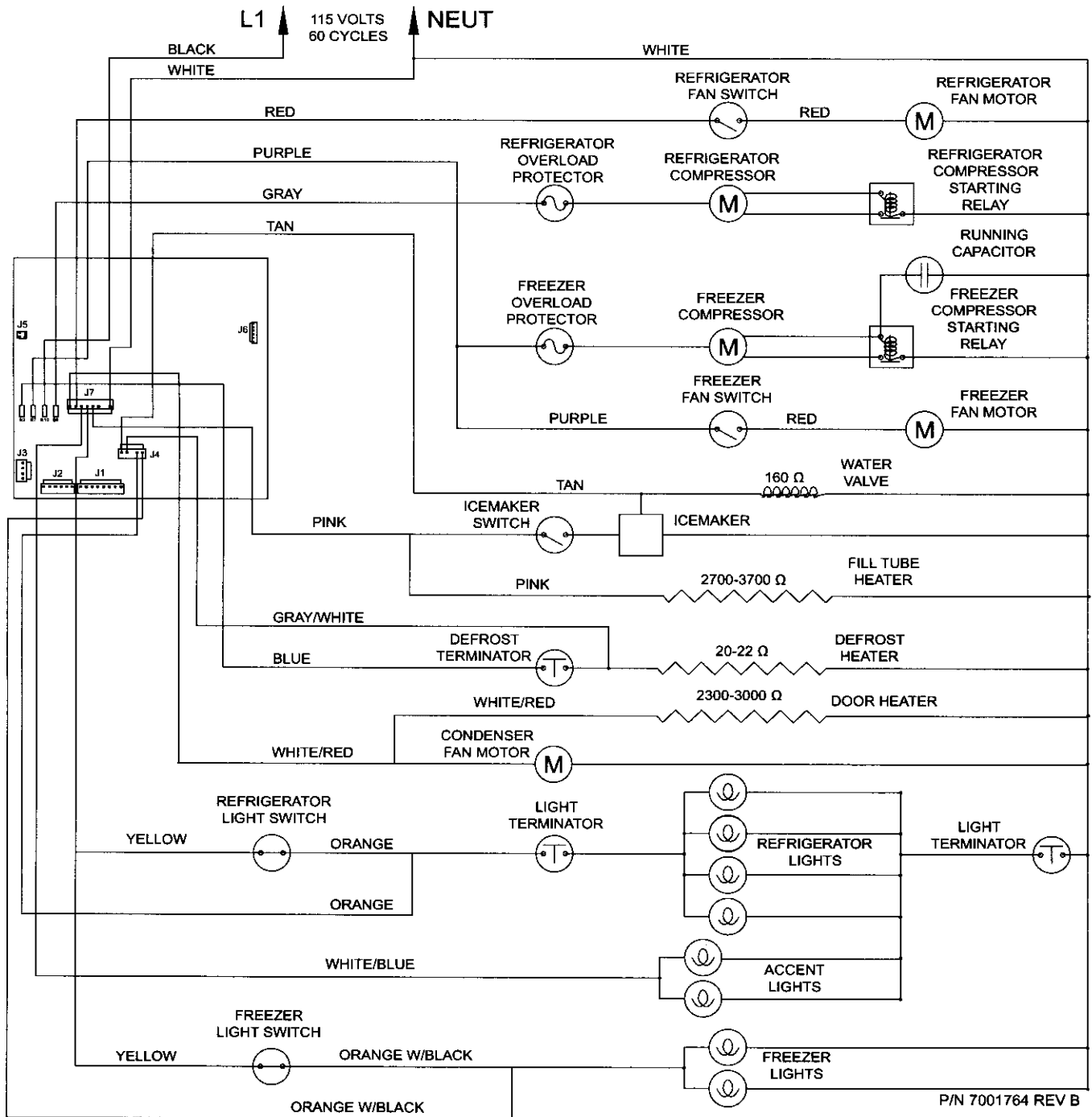
P/N 7001764 REV B

WIRING SCHEMATIC

MODELS: 611G-3/650G-3

WARNING

- This wiring information is provided for use by qualified service personnel only.
- Disconnect appliance from electrical supply before beginning service.
- Be sure all grounding devices are connected when service is complete.
- Failure to observe the above warnings may result in severe electrical shock.



P/N 7001764 REV B

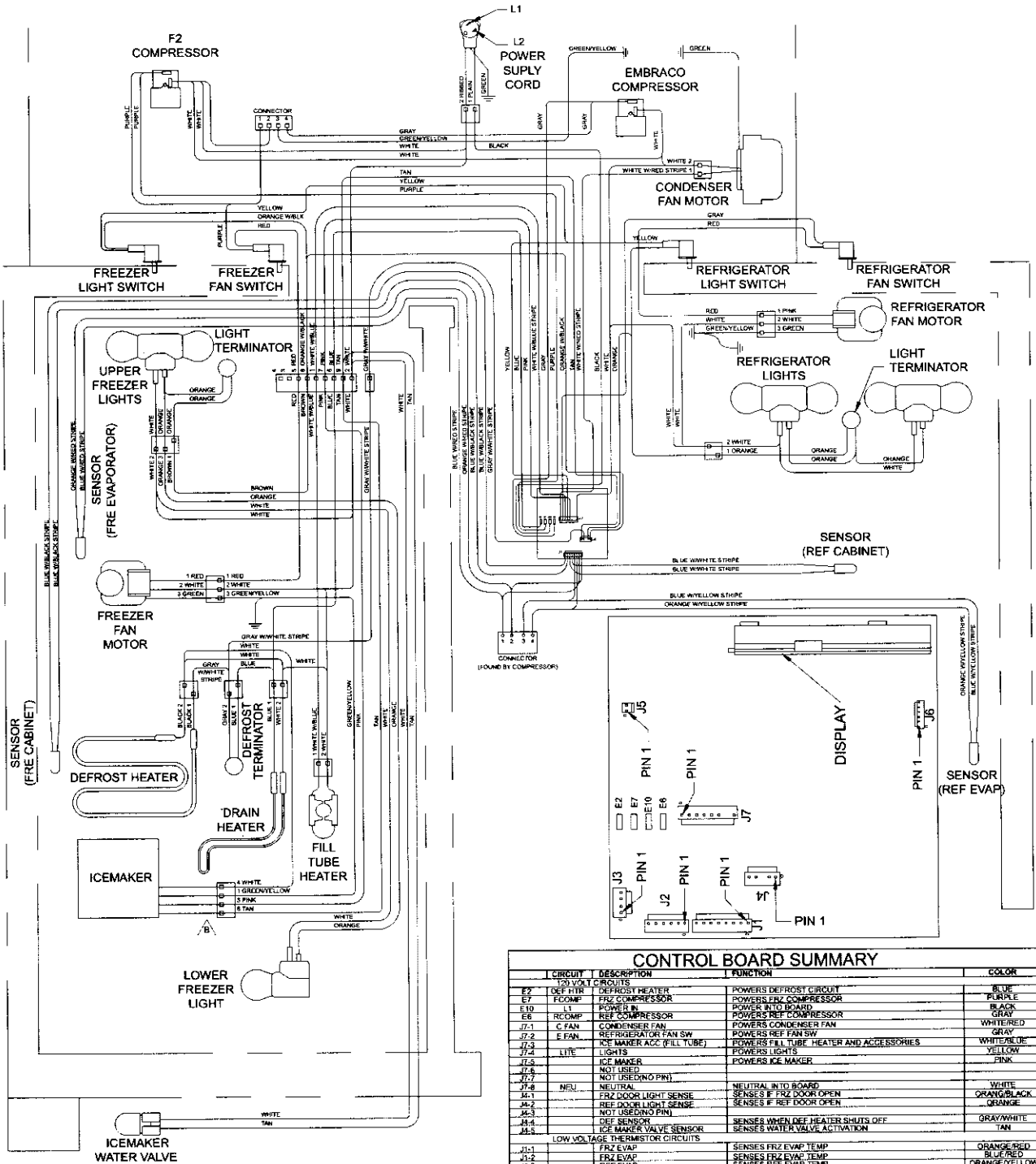


P/N 7002201 REV A

WIRING DIAGRAM MODELS: 632-3/642-3

⚠ WARNING

-This wiring information is provided for use by qualified service personnel only.
 -Disconnect appliance from electrical supply before beginning service.
 -Be sure all grounding devices are connected when service is complete.
 -Failure to observe the above warnings may result in severe electrical shock.



CONTROL BOARD SUMMARY			
CIRCUIT	DESCRIPTION	FUNCTION	COLOR
E7	DEF HTR	DEFROST HEATER	BLU/RED
E7	FCOMP	FRZ COMPRESSOR	PURPLE
E10	L1	POWER IN	BLACK
E6	RCOMP	REF COMPRESSOR	GRAY
J1-1	C FAN	CONDENSER FAN	WHIT/RED
J1-2	F FAN	REFRIGERATOR FAN SW	GRAY
J1-3	ICE MAKER ACC (FILL TUBE)	POWERS FILL TUBE HEATER AND ACCESSORIES	WHIT/BLU
J1-4	LITE	POWERS LIGHTS	TAN
J1-5	ICE MAKER	POWERS ICE MAKER	PINK
J1-6	NOT USED		
J1-7	NEUTRAL	NEUTRAL INTO BOARD	WHITE
J1-8	FRZ DOOR LIGHT SENSE	SENSES IF FRZ DOOR OPEN	ORANG/BLACK
J1-9	REF DOOR LIGHT SENSE	SENSES IF REF DOOR OPEN	ORANGE
J1-10	NOT USED (NO PIN)		
J1-11	DEF SENSOR	SENSES WHEN DEF HEATER SHUTS OFF	GRAY/WHITE
J1-12	ICE MAKER VALVE SENSOR	SENSES WATER VALVE ACTIVATION	TAN
LOW VOLTAGE THERMISTOR CIRCUITS			
J1-1	FRZ EVAP	SENSES FRZ EVAP TEMP	ORANG/RED
J1-2	FRZ EVAP	SENSES FRZ EVAP TEMP	BLU/RED
J1-3	REF EVAP	SENSES REF EVAP TEMP	ORANG/YELLOW
J1-4	REF EVAP	SENSES REF EVAP TEMP	BLU/YELLOW
J1-5	REF COMPARTMENT	SENSES REF COMPARTMENT	BLU/WHITE
J1-6	REF COMPARTMENT	SENSES REF COMPARTMENT	BLU/WHITE
J1-7	FRZ COMPARTMENT	SENSES FRZ COMPARTMENT	BLU/BLACK
J1-8	FRZ COMPARTMENT	SENSES FRZ COMPARTMENT	BLU/BLACK

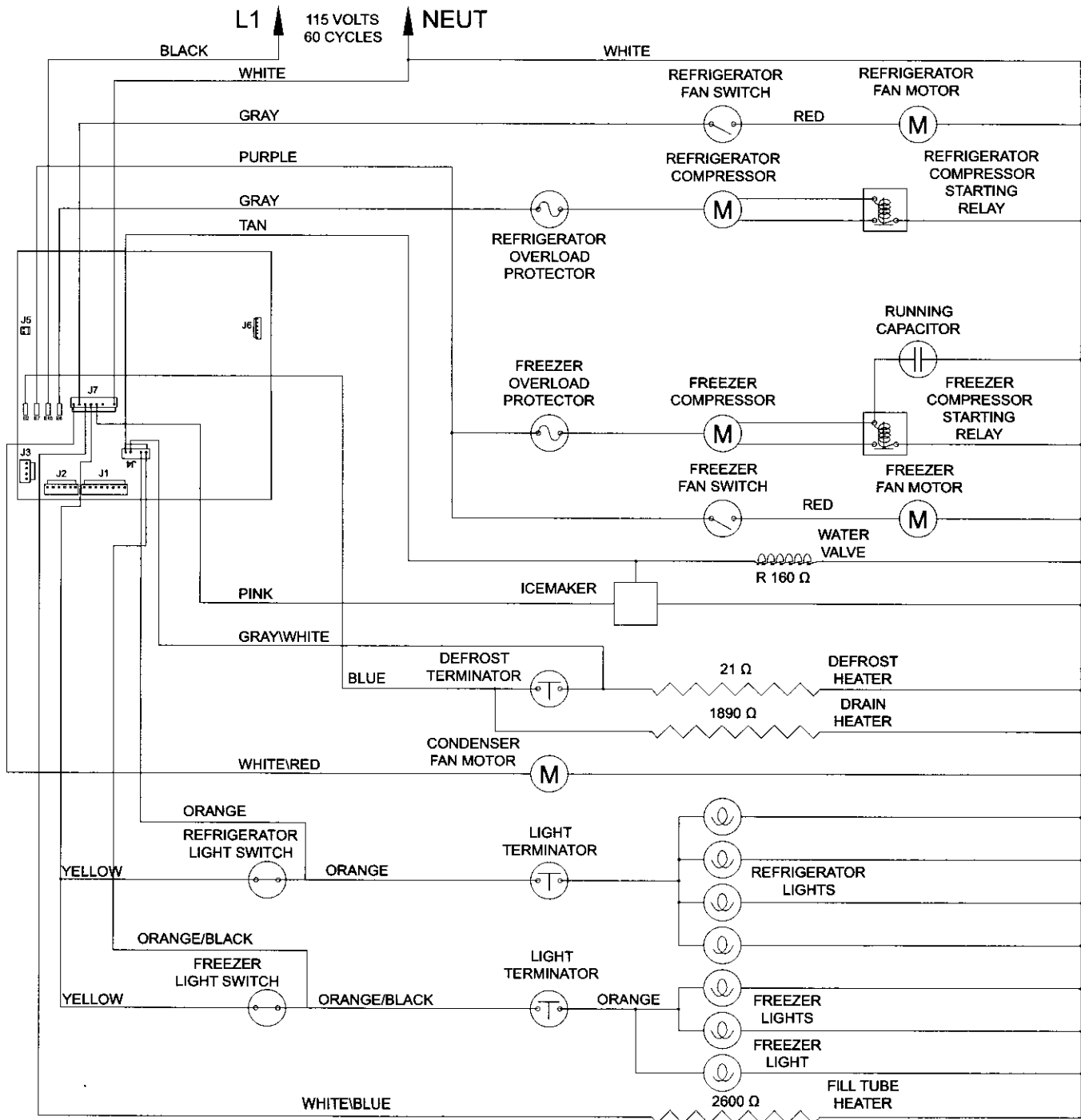
P/N 7003701 REV A

WIRING SCHEMATIC

MODELS: 632-3/642-3

WARNING

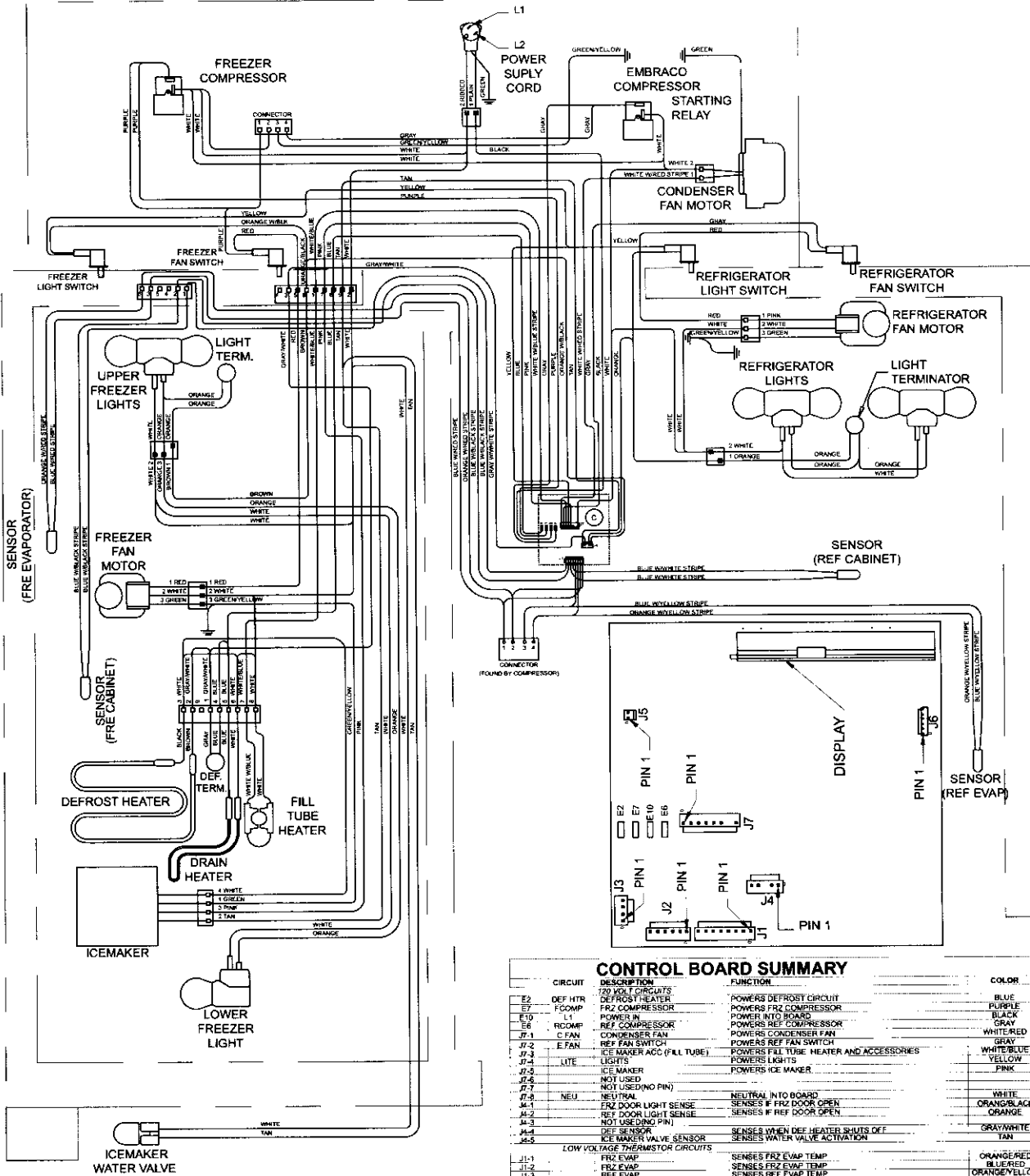
- This wiring information is provided for use by qualified service personnel only.
- Disconnect appliance from electrical supply before beginning service.
- Be sure all grounding devices are connected when service is complete.
- Failure to observe the above warnings may result in severe electrical shock.



WIRING DIAGRAM
MODEL: 661-3

WARNING

-This wiring information is provided for use by qualified service personnel only.
-Disconnect appliance from electrical supply before beginning service.
-Be sure all grounding devices are connected when service is complete.
-Failure to observe the above warnings may result in severe electrical shock.



CONTROL BOARD SUMMARY

CIRCUIT	DESCRIPTION	FUNCTION	COLOR
E2	DEF HTR	DEFROST HEATER	BLUE
E7	FCOMP	FRZ COMPRESSOR	PURPLE
E10	L1	POWER IN	BLACK
E6	RCOMP	REF COMPRESSOR	GRAY
J7-1	C FAN	CONDENSER FAN	WHITE/RED
J7-2	E FAN	REF FAN SWITCH	GRAY
J7-3	C FAN	ICE MAKER ACC (FILL TUBE)	WHITE/BLUE
J7-4	LITE	LIGHTS	YELLOW
J7-5	ICE MAKER	POWERS ICE MAKER	YELLOW
J7-6	NOT USED		
J7-7	NOT USED (NO PIN)		
J7-8	NEUTRAL	NEUTRAL INTO BOARD	WHITE
M-1	FRZ DOOR LIGHT SENSE	SENSES IF FRZ DOOR OPEN	ORANGE/BLACK
M-2	FRZ DOOR LIGHT SENSE	SENSES IF REF DOOR OPEN	ORANGE
M-3	NOT USED (NO PIN)		
M-4	DEF SENSOR	SENSES WHEN DEF HEATER SHUTS OFF	GRAY/WHITE
M-5	ICE MAKER WATER VALVE SENSOR	SENSES WATER VALVE ACTIVATION	TAN
LOW VOLTAGE THERMISTOR CIRCUITS			
J1-1	FRZ EVAP	SENSES FRZ EVAP TEMP	ORANGE/RED
J1-2	FRZ EVAP	SENSES FRZ EVAP TEMP	BLUE/RED
J1-3	REF EVAP	SENSES REF EVAP TEMP	ORANGE/YELLOW
J1-4	REF EVAP	SENSES REF EVAP TEMP	BLUE/YELLOW
J1-5	REF COMPARTMENT	SENSES REF COMPARTMENT	BLUE/WHITE
J1-6	REF COMPARTMENT	SENSES REF CABINET	BLUE/WHITE
J1-7	FRZ COMPARTMENT	SENSES FRZ CABINET TEMP	BLUE/BLACK
J1-8	FRZ COMPARTMENT	SENSES FRZ CABINET TEMP	BLUE/BLACK

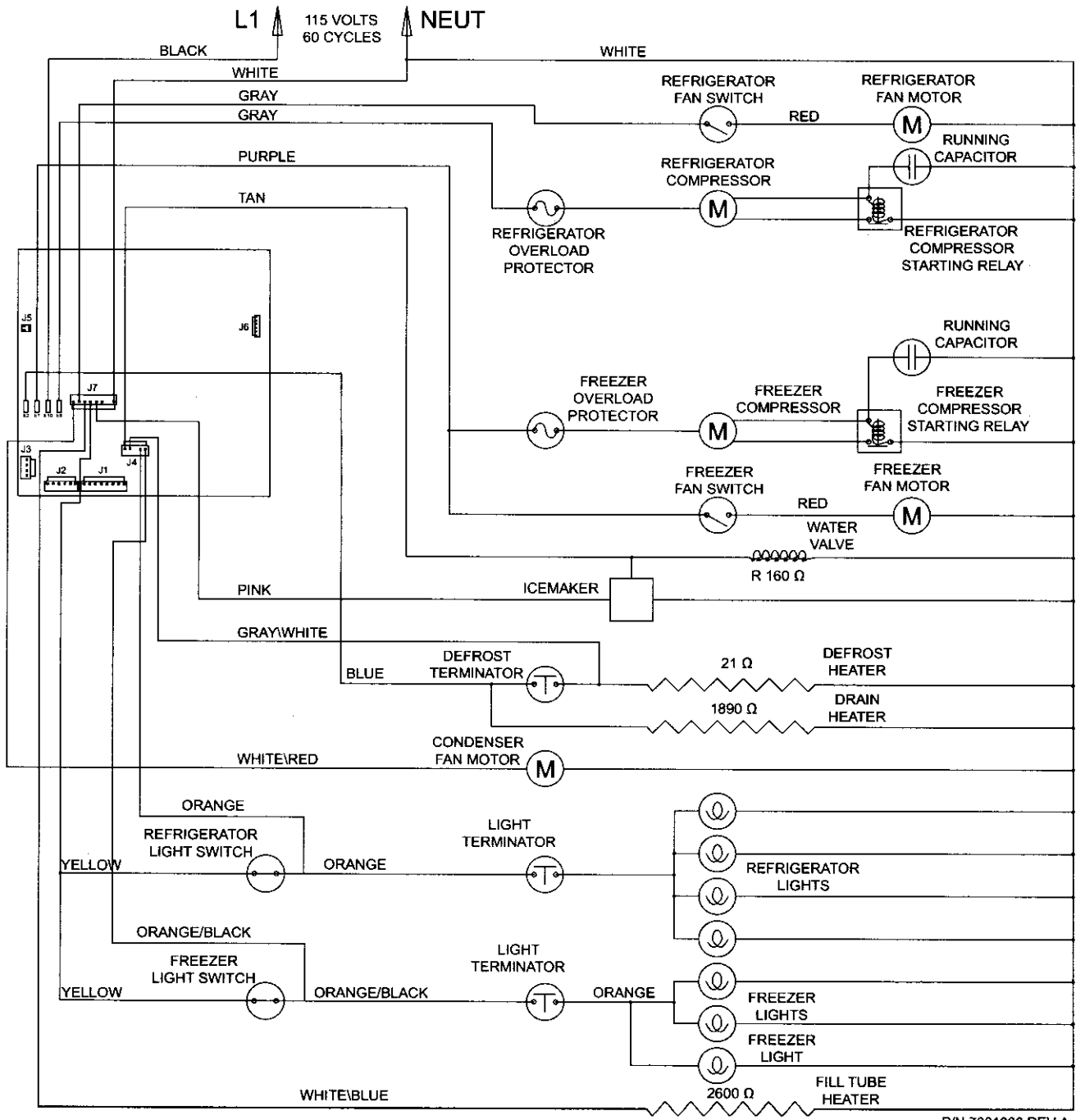
P/N 7001968 REV A



WIRING SCHEMATIC MODEL: 661-3

WARNING

- This wiring information is provided for use by qualified service personnel only.
- Disconnect appliance from electrical supply before beginning service.
- Be sure all grounding devices are connected when service is complete.
- Failure to observe the above warnings may result in severe electrical shock.



P/N 7001966 REV A

Wiring Diagrams / Schematics **Built-In (600-3) Series**

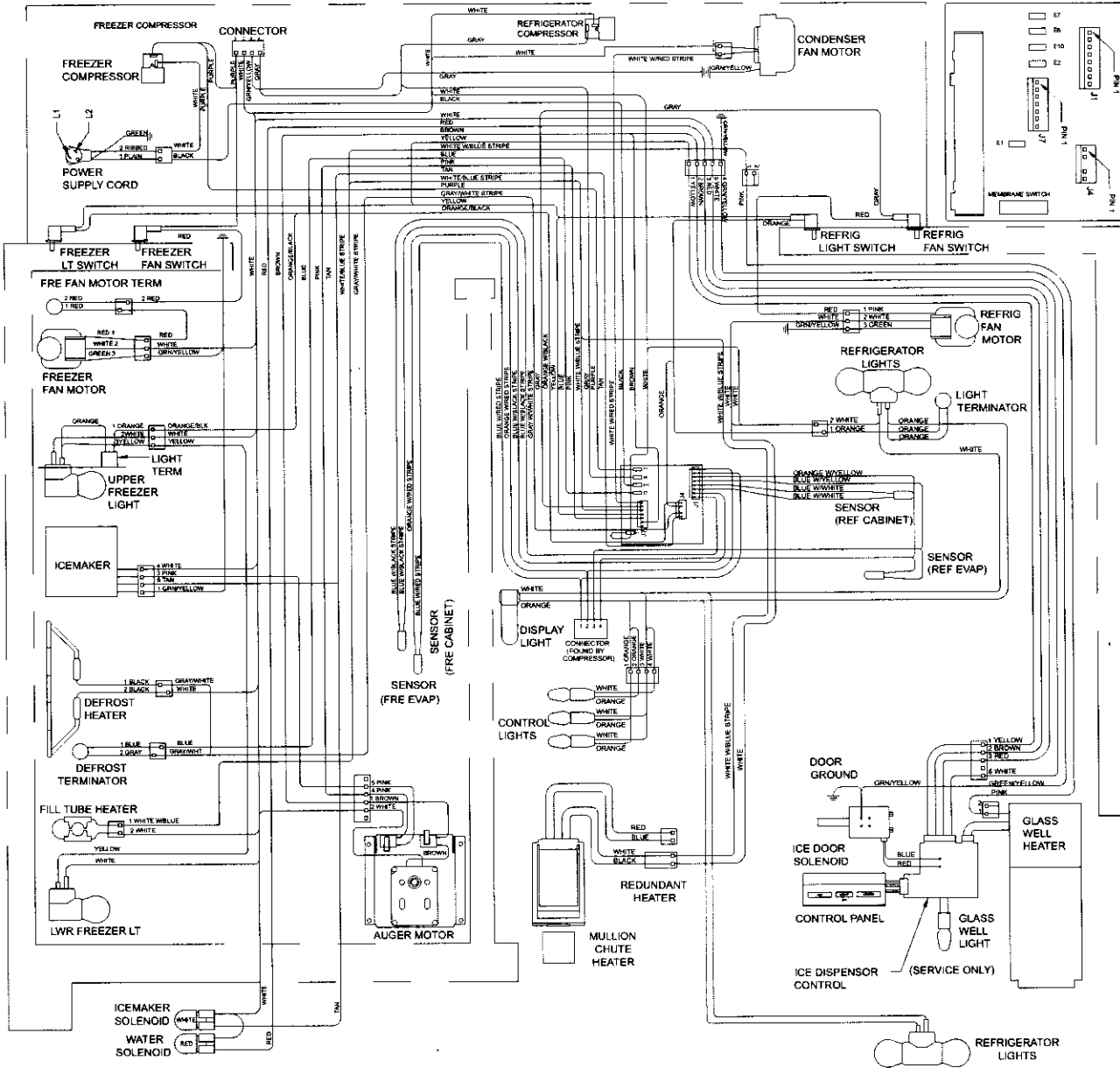
P/N 3758706 REV B

WIRING DIAGRAM

MODELS: 685-3/695-3

⚠ WARNING

-This wiring information is provided for use by qualified service personnel only.
 -Disconnect appliance from electrical supply before beginning service.
 -Be sure all grounding devices are connected when service is complete.
 -Failure to observe the above warnings may result in severe electrical shock.



CONTROL BOARD SUMMARY/ LAYOUT

CIRCUIT	DESCRIPTION	FUNCTION	COLOR	CIRCUIT	DESCRIPTION	FUNCTION	COLOR
120 VOLT CIRCUITS				120 VOLT CIRCUITS CONTINUED			
E1	NEUTRAL	NEUTRAL INTO BOARD	WHITE	J7-5	ICE MAKER	POWERS ICE MAKER	PINK
E2	DEFROST HEATER	POWERS DEFROST CIRCUIT	BLUE	J7-6	BULK ICE	POWERS AUGER MOTOR	BROWN
E6	REFRIGERATOR COMPRESSOR	POWERS REFRIG. COMPRESSOR	GRAY	J7-7	NOT USED		
E7	FREEZER COMPRESSOR	POWERS FREEZER COMPRESSOR	PURPLE				
E10	POWER IN	POWER INTO BOARD	BLACK				
J4-1	FREEZER LIGHT SENSOR	SENSES IF FREEZER DOOR OPEN	ORANGE/BLK	J1-1	THERMISTERS CIRCUITS		
J4-2	REF LIGHT SENSOR	SENSES IF REF DOOR OPEN	ORANGE	J1-2	FREEZER EVAPORATOR	SENSES FRE EVAP TEMP	ORANGE/RED
J4-3	NOT USED (NO PIN)			J1-3	FREEZER EVAPORATOR	SENSES FRE EVAP TEMP	BLUE/RED
J4-4	DEFROST SENSE TERMINATOR	SENSES WHEN HEATER SHUTS OFF	GRAY/WHIT	J1-4	REFRIGERATOR EVAPORATOR	SENSES REF EVAP TEMP	ORANGE/YELLOW
J5-5	ICE MAKER VALVE	SENSES WATER VALVE ACTIVATION	TAN	J1-5	REFRIGERATOR EVAPORATOR	SENSES REF EVAP TEMP	BLUE/YELLOW
J7-1	CONDENSER	POWERS CONDENSER FAN	GRAY	J1-6	REFRIGERATOR COMPARTMENT	SENSES REF COMPARTMENT TEMP	BLUE/WHITE
J7-2	REFRIG FAN SWITCH	POWERS REF FAN SW	GRAY	J1-7	REFRIGERATOR COMPARTMENT	SENSES REF COMPARTMENT TEMP	BLUE/WHITE
J7-3	ICE MAKER ACCESSORIES (FILL TUBE)	POWERS FILL TUBE AND ACCESSORIES	WHIT/BLUE	J1-8	FREEZER COMPARTMENT	SENSES FREEZ COMPARTMENT TEMP	BLUE/BLACK
J7-4	LIGHTS	POWERS LIGHTS	YELLOW				



P/N 3758706 REV B

WIRING SCHEMATIC MODELS: 685-3/695-3

WARNING

- This wiring information is provided for use by qualified service personnel only.
- Disconnect appliance from electrical supply before beginning service.
- Be sure all grounding devices are connected when service is complete.
- Failure to observe the above warnings may result in severe electrical shock.

