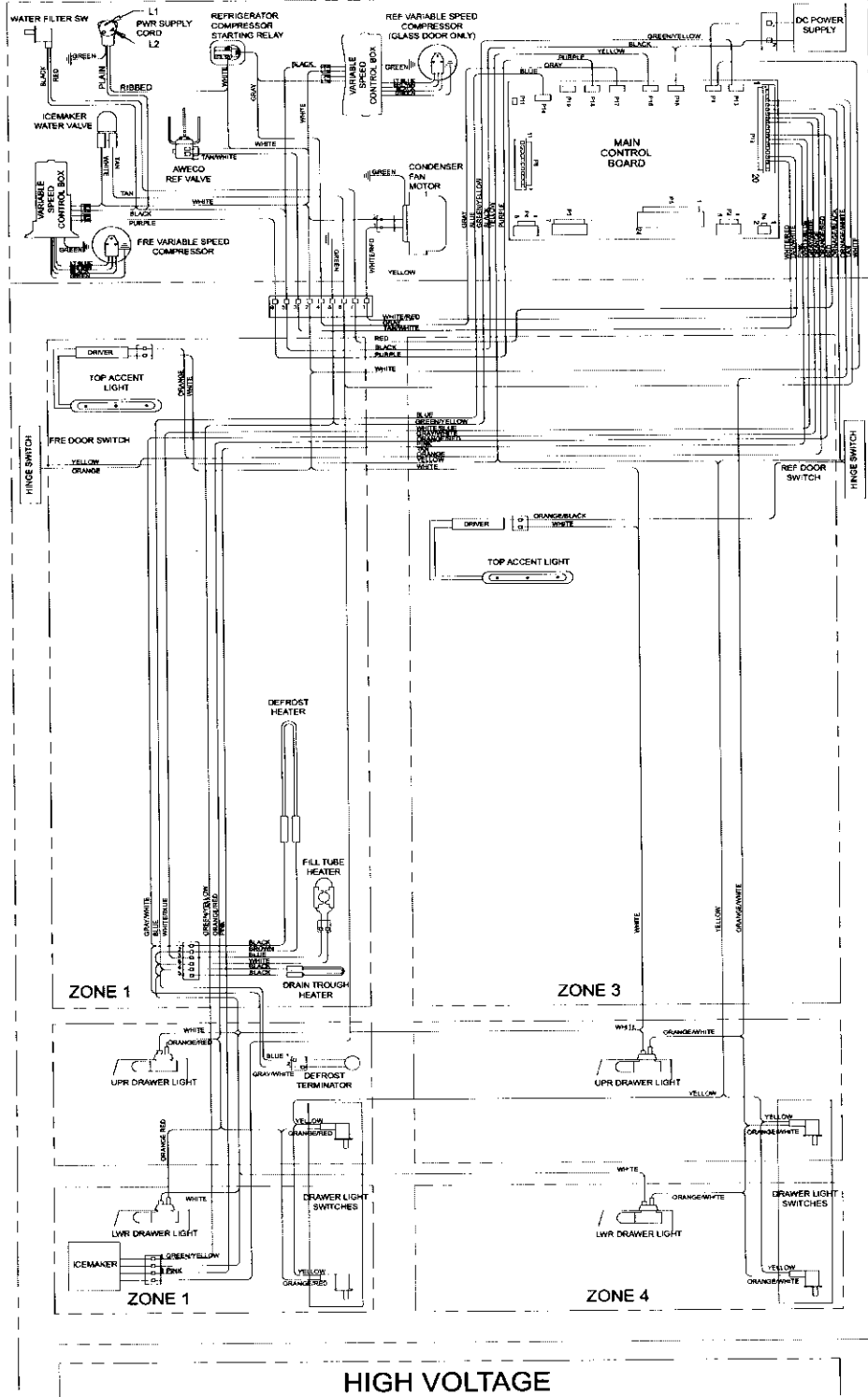


WIRING DIAGRAM MODELS: PRO48 (HIGH VOLTAGE)

WARNING

-This wiring information is provided for use by qualified service personnel only.
-Disconnect appliance from electrical supply before beginning service.
-Be sure all grounding devices are connected when service is complete.
-Failure to observe the above warnings may result in severe electrical shock.

PART NUMBER 3758388 REVISION C

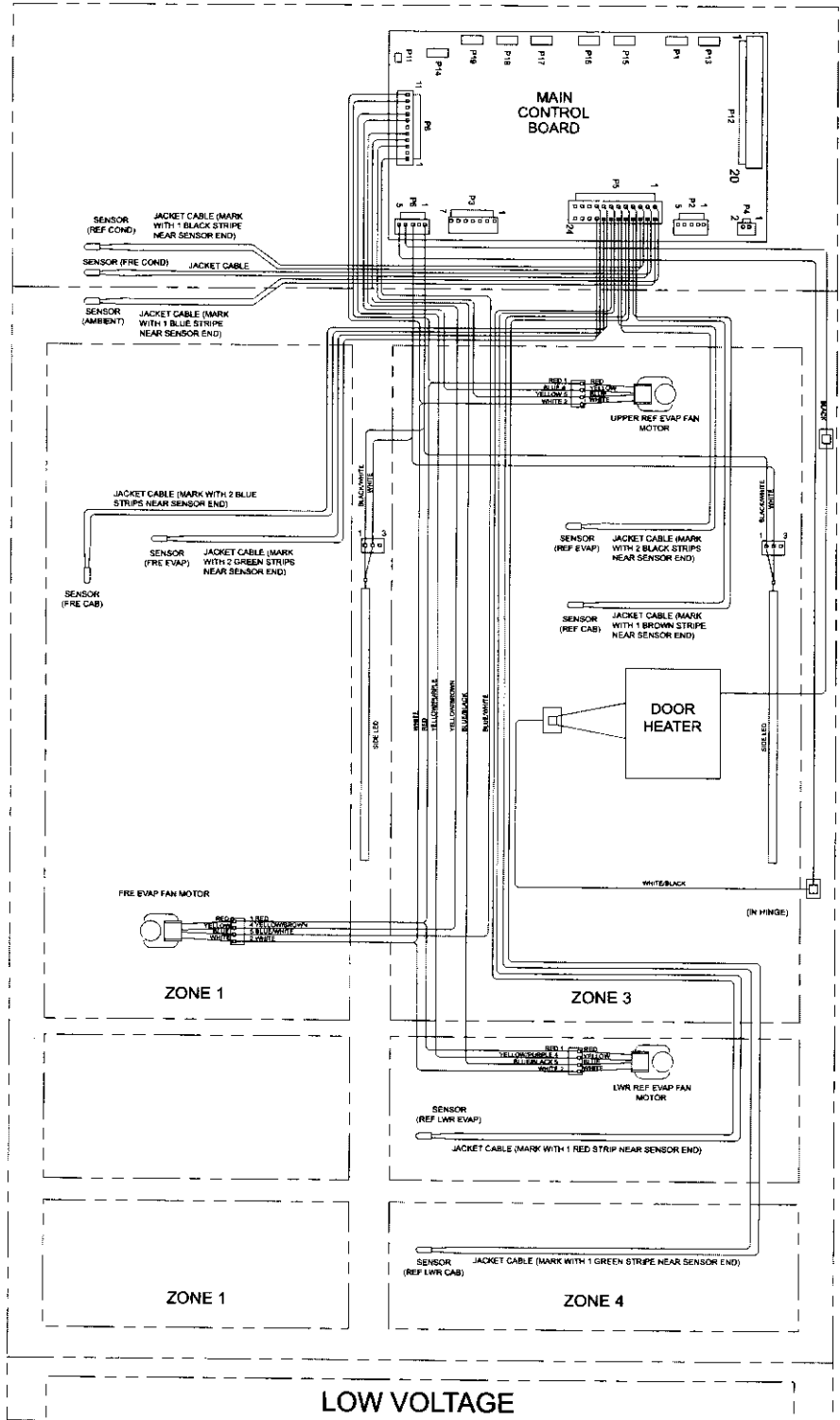


WIRING DIAGRAM MODELS: PRO48 (LOW VOLTAGE)

WARNING

- This wiring information is provided for use by qualified service personnel only.
- Disconnect appliance from electrical supply before beginning service.
- Be sure all grounding devices are connected when service is complete.
- Failure to observe the above warnings may result in severe electrical shock.

PART NUMBER 3758388 REVISION C

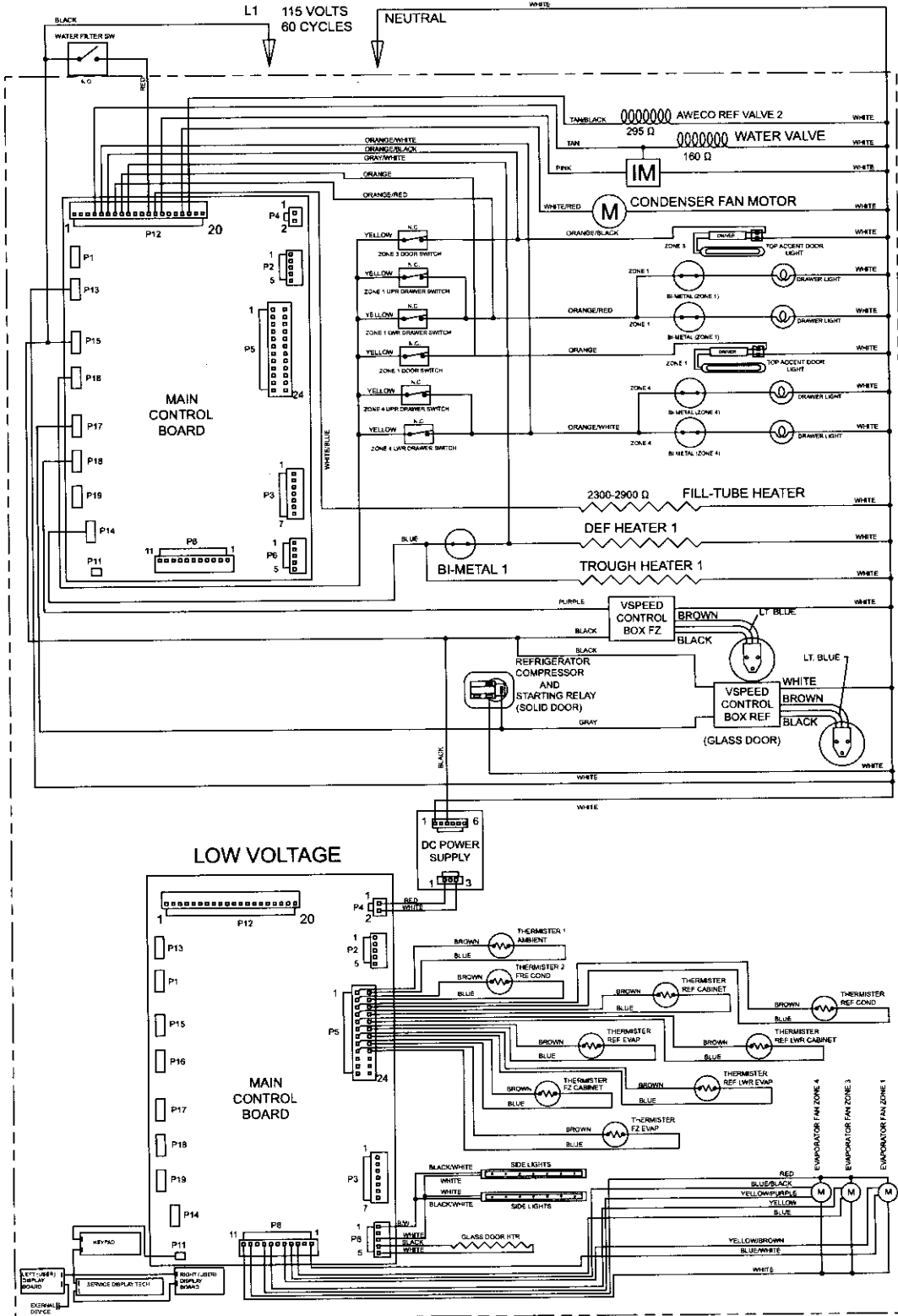


P/N 3758701 REV C

WIRING SCHEMATIC MODELS: PRO48

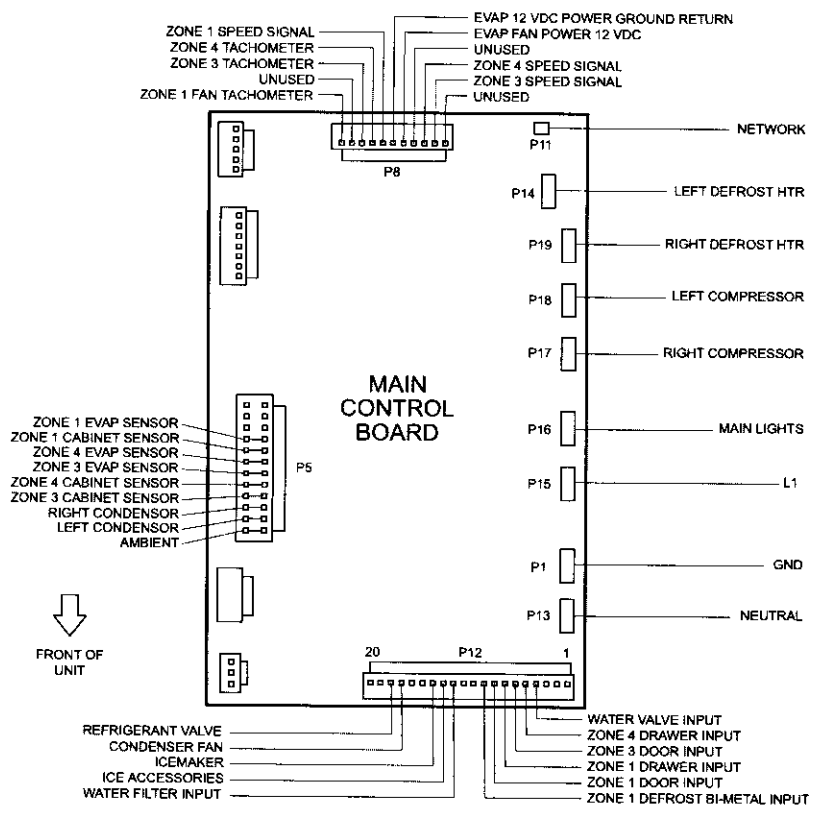
⚠ WARNING

- This wiring information is provided for use by qualified service personnel only.
- Disconnect appliance from electrical supply before beginning service.
- Be sure all grounding devices are connected when service is complete.
- Failure to observe the above warnings may result in severe electrical shock.





MODEL 648PRO CONTROL BOARD LAYOUT



MODEL 648PRO CONTROL BOARD SUMMARY TABLE

CIRCUIT	DESCRIPTION	FUNCTION	COLOR	CIRCUIT	DESCRIPTION	FUNCTION	COLOR
P13	120 VOLT CIRCUITS	NEUTRAL INTO BOARD	WHITE	P4-1	12 VDC POWER	12 VDC POWER	RED
P14	DEFROST HEATER 1	POWERS DEF HTR 1	BLUE	P4-2	12 VDC RETURN	12 VDC RETURN	WHITE
P15	POWER IN	POWER INTO BOARD	BLACK	P6-1	VERTICAL LED (REF)	12 V TO LED	BLACK/WHITE
P16	MAIN LIGHTS	POWERS MAIN LIGHTS	YELLOW	P6-2	UNUSED	UNUSED	UNUSED
P17	COMPRESSOR REF	POWERS REF COMPRESSOR	GRAY	P6-3	VERTICAL LED (REF) COMMON	UNUSED	UNUSED
P18	COMPRESSOR FREEZER	POWERS COMPRESSOR FRZ	PURPLE	P6-4	GLASS DOOR HTR 2	VERTICAL LED RETURN	WHITE
P19	UNUSED	UNUSED	UNUSED	P6-5	GLASS DOOR HTR 2 COMMON	12 V TO HTR 2	BLACK
P12-1	UNUSED	UNUSED	UNUSED	P6-7	EVAPORATOR FAN ZONE 1	HTR 2 RETURN	WHITE
P12-2	UNUSED	UNUSED	UNUSED	P8-1	EVAPORATOR FAN ZONE 1	TACHOMETER INPUT	BLUE/WHITE
P12-3	UNUSED	UNUSED	UNUSED	P8-2	UNUSED	UNUSED	UNUSED
P12-4	UNUSED	UNUSED	UNUSED	P8-3	EVAPORATOR FAN ZONE 3	TACHOMETER INPUT	BLUE
P12-5	WATER VALVE INPUT	SENSES WATER VALVE ACTIVATION	TAN	P8-4	EVAPORATOR FAN ZONE 4	TACHOMETER INPUT	BLUE/BLACK
P12-6	ZONE 4 DRAWER INPUT	SENSES IF ZONE 4 DRAWERS ARE OPEN	UNUSED	P8-5	EVAPORATOR FAN ZONE 1	PWM DRIVE OUTPUT	YELLOW/BROWN
P12-7	ZONE 3 DOOR INPUT	SENSES IF ZONE 3 DOOR OPEN	UNUSED	P8-6	UNUSED	UNUSED	UNUSED
P12-8	ZONE 1 DRAWER	UNUSED	UNUSED	P8-7	EVAPORATOR FAN ZONE 3	PWM DRIVE OUTPUT	YELLOW
P12-9	ZONE 1 DOOR	UNUSED	UNUSED	P8-8	EVAPORATOR FAN ZONE 4	PWM DRIVE OUTPUT	YELLOW/PURPLE
P12-10	DEF BI-METAL 1	SENSES WHEN HEATER 1 SHUTS OFF	GRAY/WHITE	P8-9	UNUSED	UNUSED	UNUSED
P12-11	UNUSED	UNUSED	UNUSED	P8-10	EVAPORATOR FAN 12 VDC POWER	ZONE FAN POWER	RED
P12-12	UNUSED	UNUSED	UNUSED	P8-11	EVAPORATOR FAN GROUND RETURN	ZONE FAN RETURN	WHITE
P12-13	WATER FILTER INPUT	SENSE WATER FILTER	UNUSED	THERMISTOR CIRCUITS			
P12-14	ICE ACCESSORIES	POWERS FILL TUBE AND ACCESSORIES	RED	P5-1	AMBIENT	SENSES TEMPERATURE	BROWN
P12-15	ICE MAKER	POWERS ICE-MAKER	WHITE/BLUE	P5-2	AMBIENT	SENSES TEMPERATURE	BLUE
P12-16	CONDENSER FAN	CONDENSER FAN	UNUSED	P5-3	CONDENSOR LT SYSTEM	SENSES TEMPERATURE	BROWN
P12-17	AWECO VALVE 2	POWERS AWECO VALVE 2	TAN/WHITE	P5-4	CONDENSOR RT SYSTEM	SENSES TEMPERATURE	BLUE
P12-19	UNUSED	UNUSED	UNUSED	P5-5	CONDENSOR RT SYSTEM	SENSES TEMPERATURE	BROWN
P12-20	UNUSED	UNUSED	UNUSED	P5-6	REF UPPER CABINET (ZONE 3)	SENSES TEMPERATURE	BLUE
LOW VOLTAGE CIRCUITS				P5-7	REF UPPER CABINET (ZONE 3)	SENSES TEMPERATURE	BROWN
P2-1	UNUSED	UNUSED	UNUSED	P5-8	REF LOWER CABINET (ZONE 4)	SENSES TEMPERATURE	BLUE
P2-2	UNUSED	UNUSED	UNUSED	P5-9	REF LOWER CABINET (ZONE 4)	SENSES TEMPERATURE	BROWN
P2-3	UNUSED	UNUSED	UNUSED	P5-10	REF UPPER EVAP (ZONE 3)	SENSES TEMPERATURE	BLUE
P2-4	UNUSED	UNUSED	UNUSED	P5-11	REF UPPER EVAP (ZONE 3)	SENSES TEMPERATURE	BROWN
P2-5	UNUSED	UNUSED	UNUSED	P5-12	REF UPPER EVAP (ZONE 3)	SENSES TEMPERATURE	BLUE
				P5-13	REF LOWER EVAP (ZONE 4)	SENSES TEMPERATURE	BROWN
				P5-14	REF LOWER EVAP (ZONE 4)	SENSES TEMPERATURE	BLUE
				P5-15	FRE CABINET (ZONE 1)	SENSES TEMPERATURE	BLUE
				P5-16	FRE CABINET (ZONE 1)	SENSES TEMPERATURE	BROWN
				P5-17	FRE EVAP (ZONE 1)	SENSES TEMPERATURE	BLUE
				P5-18	FRE EVAP (ZONE 1)	SENSES TEMPERATURE	BROWN
				P5-19	UNUSED	UNUSED	UNUSED
				P5-20	UNUSED	UNUSED	UNUSED
				P5-21	UNUSED	UNUSED	UNUSED
				P5-22	UNUSED	UNUSED	UNUSED
				P5-23	UNUSED	UNUSED	UNUSED
				P5-24	UNUSED	UNUSED	UNUSED

648PRO CONTROL BOARD SUMMARY