

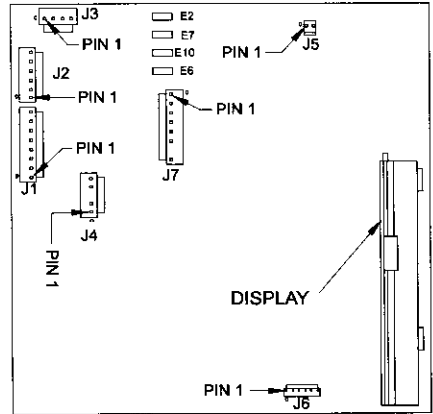
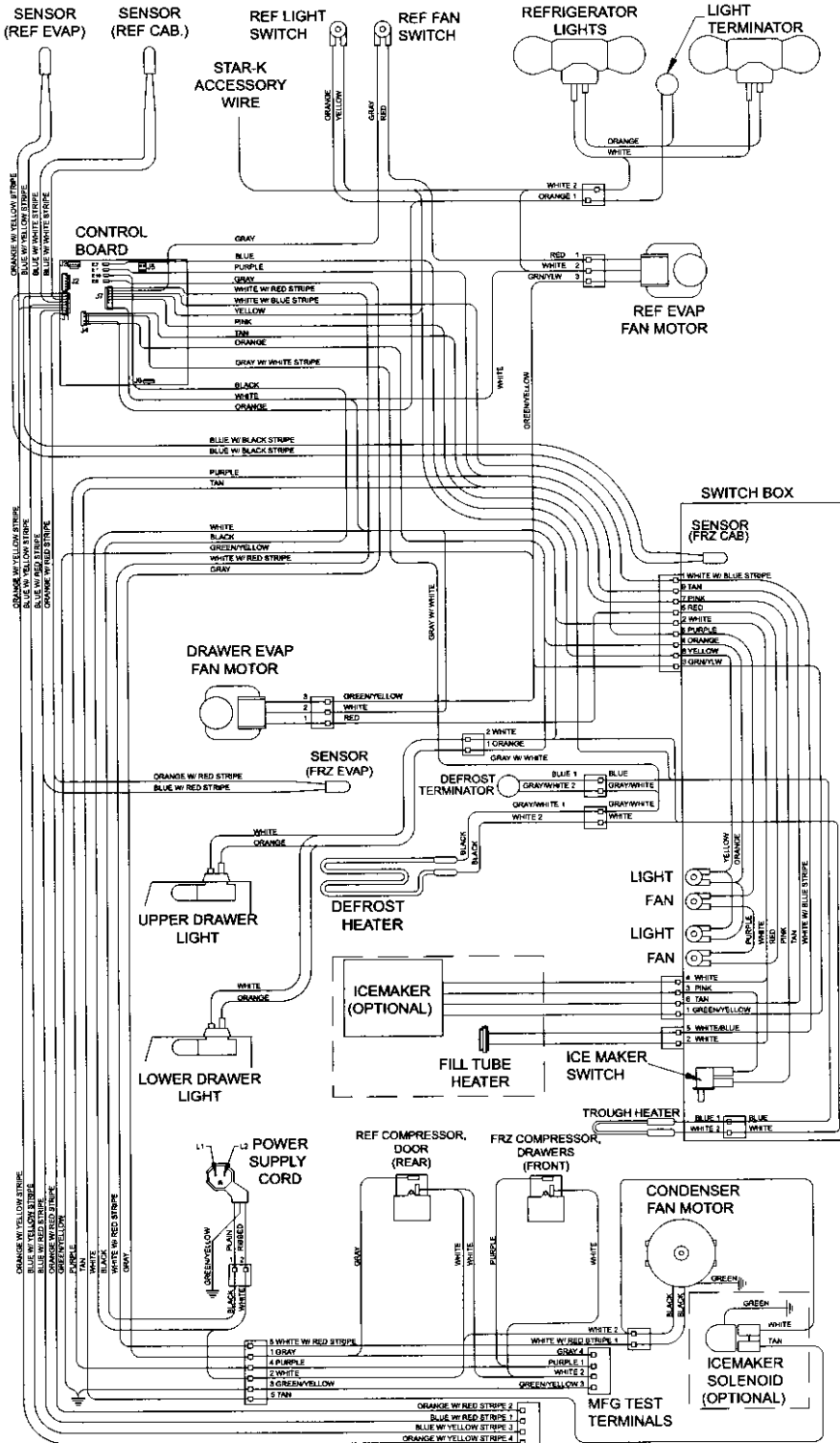


PART NUMBER 3758574 REV B

WIRING DIAGRAM MODEL: 700TC-3

⚠ WARNING

-This wiring information is provided for use by qualified service personnel only.
 -Disconnect appliance from electrical supply before beginning service.
 -Be sure all grounding devices are connected when service is complete.
 -Failure to observe the above warnings may result in severe electrical shock.



CONTROL BOARD DETAIL

CONTROL BOARD SUMMARY		COLOR
DEFHTR	DEFROST HEATER	BLUE
FCOMP	FAN COMPRESSOR	PURPLE
E0	POWER INTO BOARD (DRAWERS)	BLACK
E10	POWER INTO BOARD (DOOR)	GRAY
E6	POWER REF COMPRESSOR	WHITE/RED
J7-1	POWER CONDENSER FAN	GRAY
J7-2	FAN SW	WHITE/RED
J7-3	ICE MAKER ACC (FILL TUBE)	WHITE/BLUE
J7-4	ICE MAKER ACC (FILL TUBE)	YELLOW
J7-5	LIGHTS	PINK
J7-6	ICE MAKER	GRAY
J7-7	ICE MAKER	WHITE/RED
J7-8	ICE MAKER	GRAY
J7-9	ICE MAKER	WHITE
J7-10	ICE MAKER	ORANGE/BLACK
J7-11	ICE MAKER	ORANGE
J7-12	ICE MAKER	TAN
J7-13	ICE MAKER	GRAY/WHITE
J7-14	ICE MAKER	GRAY
J7-15	ICE MAKER	WHITE
J7-16	ICE MAKER	ORANGE/RED
J7-17	ICE MAKER	BLUE/RED
J7-18	ICE MAKER	ORANGE/YEL
J7-19	ICE MAKER	BLUE/YELLOW
J7-20	ICE MAKER	BLUE/WHITE
J7-21	ICE MAKER	BLUE/BLACK
J7-22	ICE MAKER	BLUE/BLACK

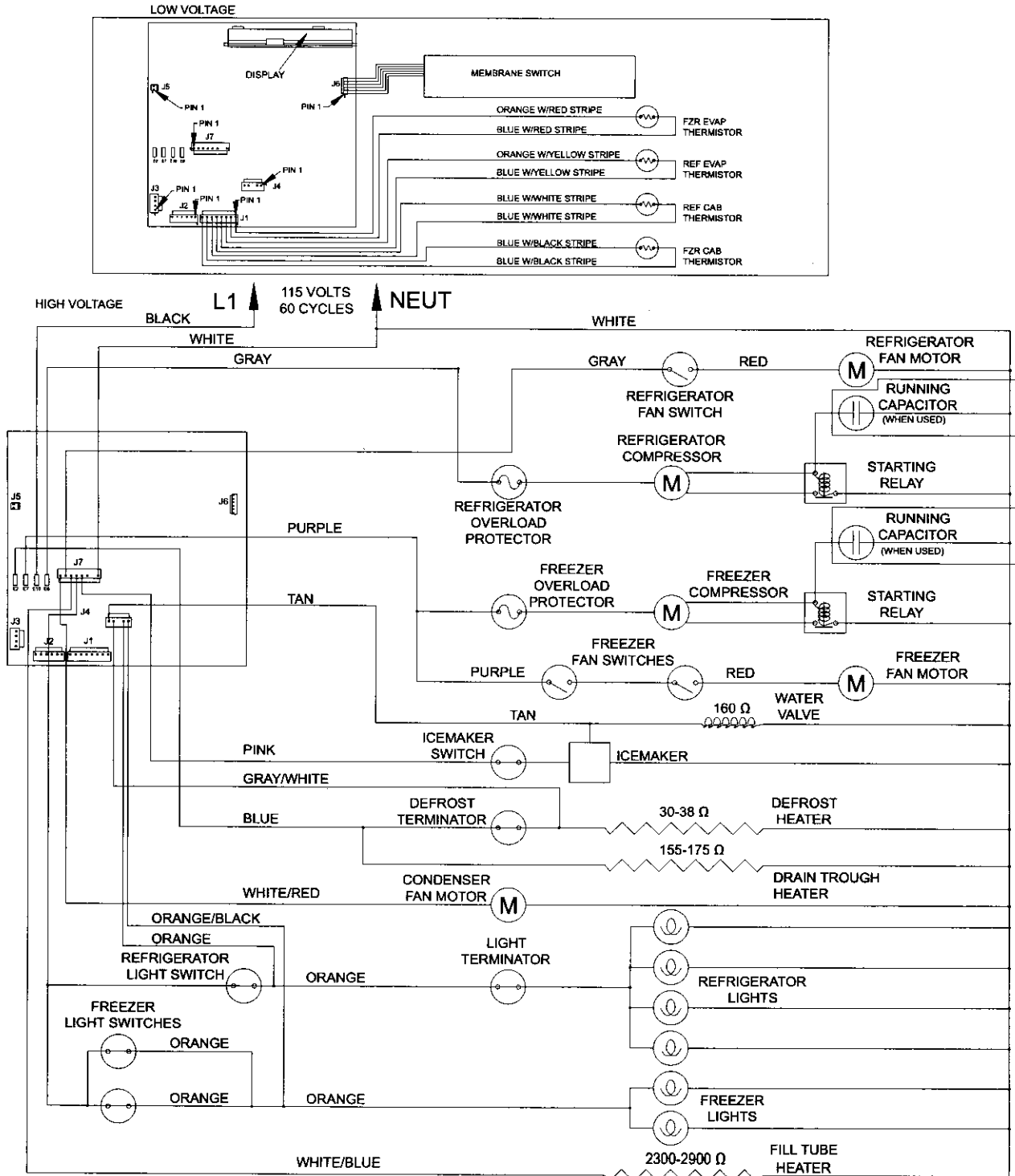


PART NUMBER 3758574 REV B

WIRING SCHEMATIC MODEL: 700TC-3

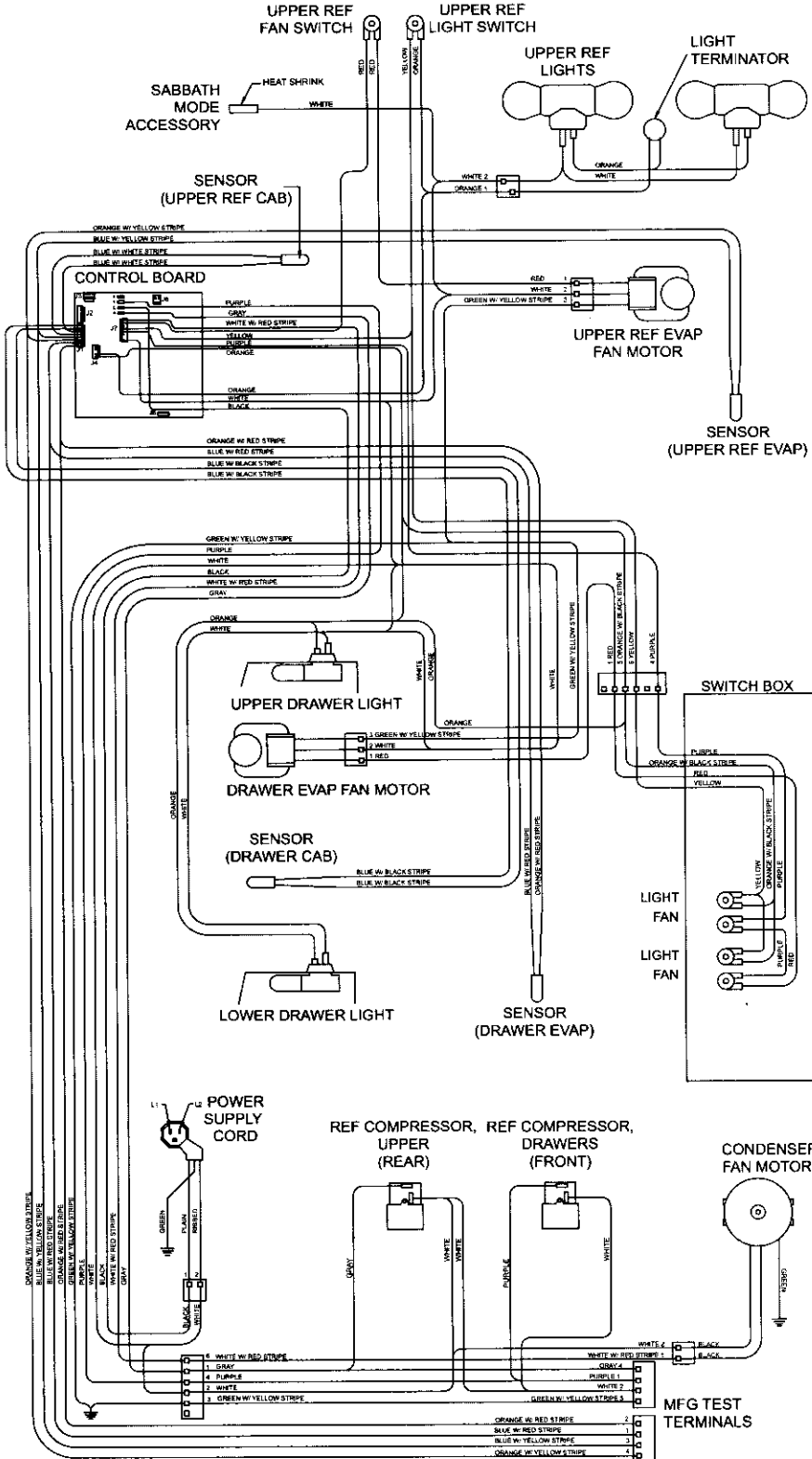
WARNING

- This wiring information is provided for use by qualified service personnel only.
- Disconnect appliance from electrical supply before beginning service.
- Be sure all grounding devices are connected when service is complete.
- Failure to observe the above warnings may result in severe electrical shock.



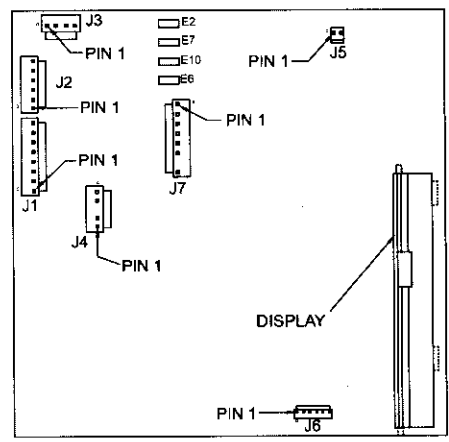


WIRING DIAGRAM MODEL: 700TR-3



WARNING

- This wiring information is provided for use by qualified service personnel only.
- Disconnect appliance from electrical supply before beginning service.
- Be sure all grounding devices are connected when service is complete.
- Failure to observe the above warnings may result in severe electrical shock.



CONTROL BOARD DETAIL

CONTROL BOARD SUMMARY

CIRCUIT	DESCRIPTION	FUNCTION	COLOR
E2	120 VOLT CIRCUITS		PURPLE
E7	NOT USED		BLACK
E10	DRAWER REF COMPRESSOR	POWERS REF COMP FOR 2 DRAWER SECTION	GRAY
E6	POWER INTO BOARD	POWERS UPPER REF COMP	WHITERED
J7-1	UPPER REF COMPRESSOR	POWERS CONDENSER FAN	RED
J7-2	CONDENSER FAN	POWERS REF EVAP FAN	YELLOW
J7-3	REF EVAP FAN	POWERS LIGHTS	PURPLE
J7-4	NOT USED	POWERS DRAWER EVAP FAN	
J7-5	LITES		
J7-6	DRAWER EVAP FAN		
J7-7	NOT USED (ROUND PIN)		
J7-8	NEUTRAL INTO BOARD		
FDR	DRAWER LIGHTS SENSE	SENSES IF EITHER DRAWER OPEN	WHITE
RDR	DOOR LIGHTS SENSE	SENSES IF DOOR OPEN	ORANGE
J4-3	NOT USED (NO PIN)		
J4-4	NOT USED		
J4-5	NOT USED		
J1-1	LOW VOLTAGE THERMISTOR CIRCUITS		
J1-2	EVAP FRZ	SENSES DRAWER EVAP TEMP	ORANGE/RED
J1-3	DRAWER EVAP	SENSES DRAWER EVAP TEMP	BLUE/RED
J1-4	UPPER REF EVAP	SENSES UPPER REF EVAP TEMP	ORANGE/YEL
J1-5	UPPER REF EVAP	SENSES UPPER REF EVAP TEMP	BLUE/YELLOW
J1-6	REF	SENSES UPPER REF CABINET TEMP	BLUE/WHITE
J1-7	REF	SENSES UPPER REF CABINET TEMP	BLUE/BLACK
J1-8	FRZ	SENSES DRAWER CABINET TEMP	BLUE/BLACK
J1-9	FRZ	SENSES DRAWER CABINET TEMP	BLUE/BLACK

PART NUMBER 3758504 REV A

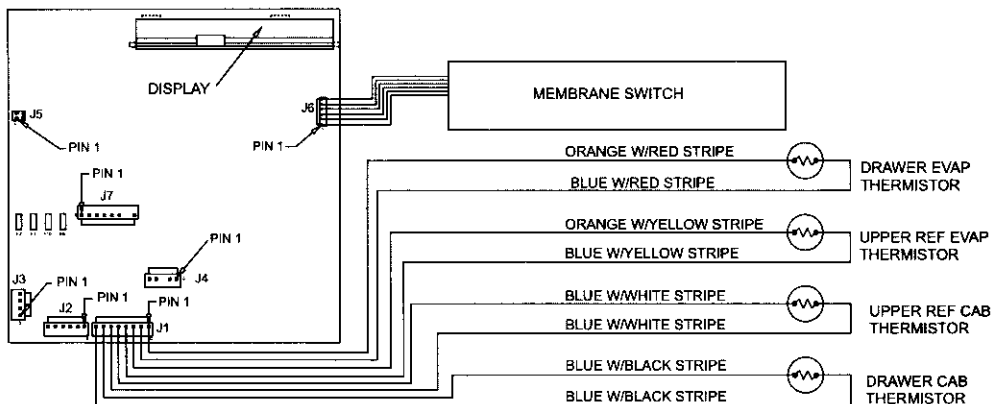


WIRING SCHEMATIC MODEL: 700TR-3

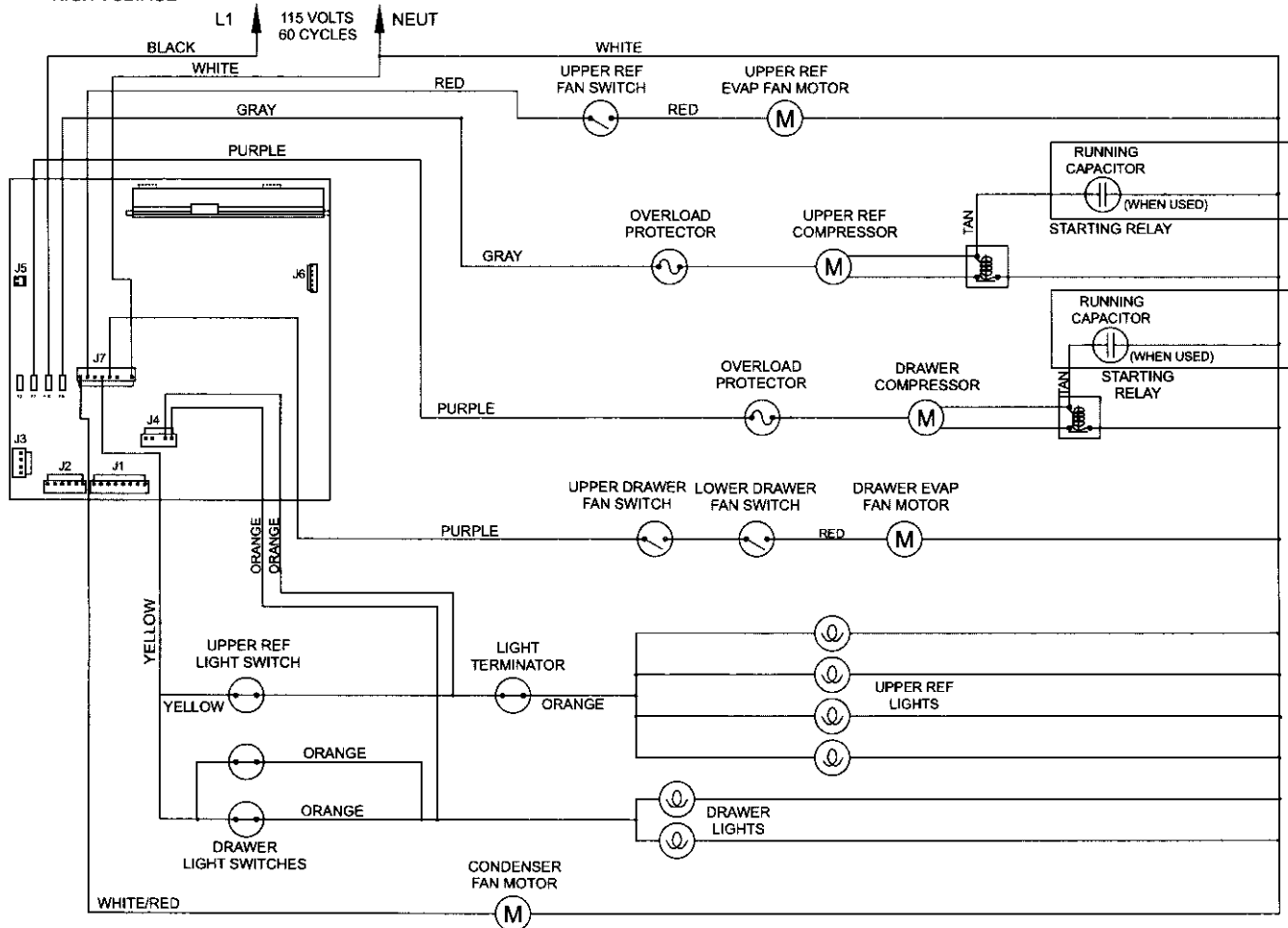
WARNING

-This wiring information is provided for use by qualified service personnel only.
 -Disconnect appliance from electrical supply before beginning service.
 -Be sure all grounding devices are connected when service is complete.
 -Failure to observe the above warnings may result in severe electrical shock.

LOW VOLTAGE



HIGH VOLTAGE



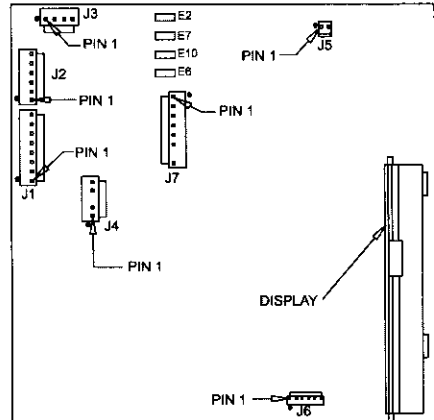
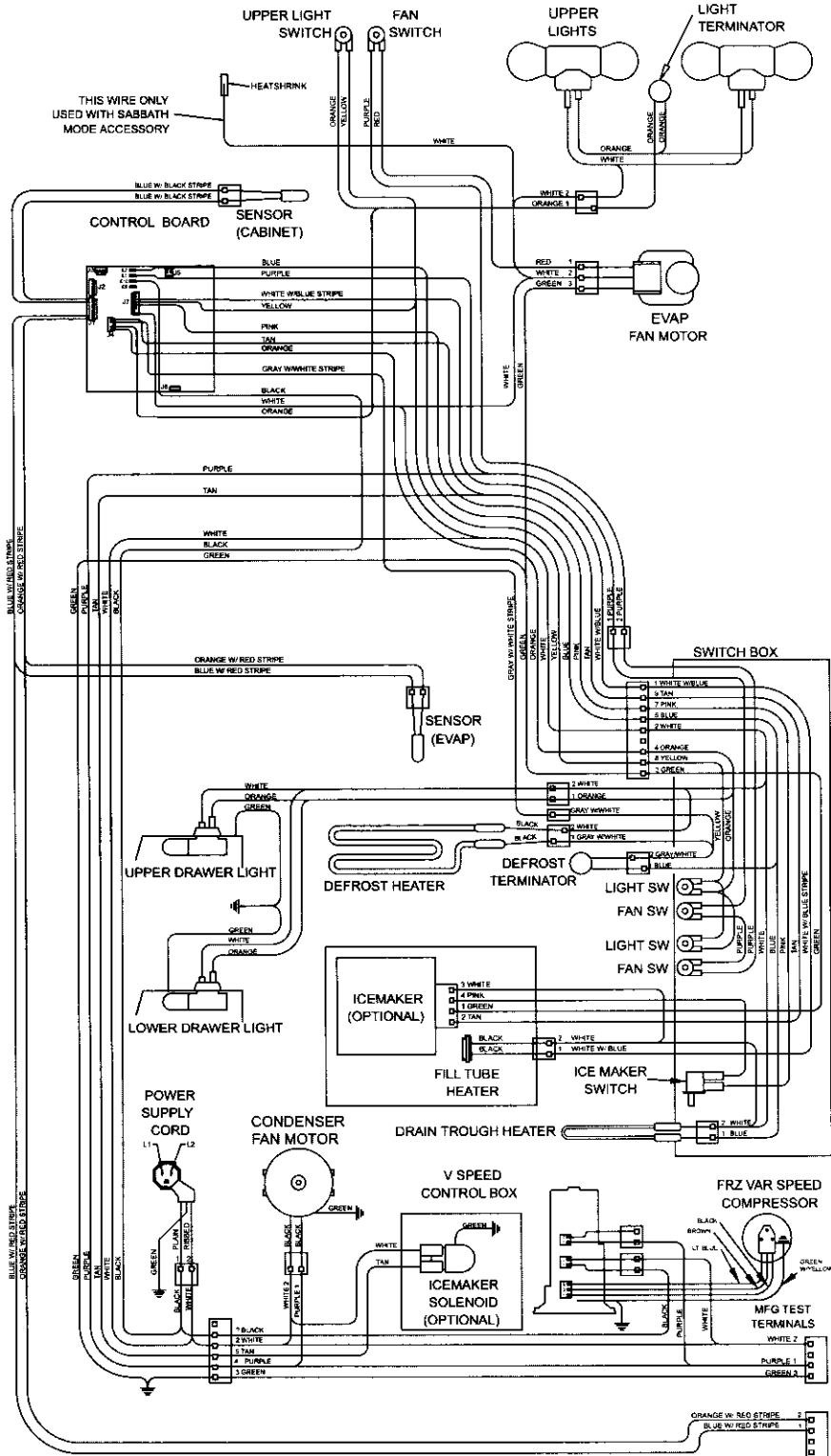
PART NUMBER 3758504 REV A



WIRING DIAGRAM MODEL: 700 TF/I-3

WARNING

- This wiring information is provided for use by qualified service personnel only.
- Disconnect appliance from electrical supply before beginning service.
- Be sure all grounding devices are connected when service is complete.
- Failure to observe the above warnings may result in severe electrical shock.



CONTROL BOARD DETAIL

CONTROL BOARD SUMMARY

CIRCUIT	DESCRIPTION	FUNCTION	COLOR
E2	120VOLT CIRCUITS	POWERS DEFROST CIRCUIT	BLUE
E7	DEF HTR	POWERS COMPRESSOR	PURPLE
E10	F COMP	POWER INTO BOARD	BLACK
E6	L1	POWER INTO BOARD	GRAY
J7-1	NOT USED	POWERS FULL TUBE HEATER AND ACCESSORIES	WHITETERED
J7-2	NOT USED	POWERS LIGHTS	WHITE/BLUE
J7-3	ICE MAKER ACC (FILL TUBE)	POWERS LIGHTS	YELLOW
J7-4	ICE	POWERS ICE MAKER	PINK
J7-5	ICE	POWERS ICE MAKER	PINK
J7-6	NOT USED	POWERS ICE MAKER	PINK
J7-7	NOT USED (NO PIN)	POWERS ICE MAKER	PINK
J7-8	NEU	NEUTRAL INTO BOARD	WHITE
J4-1	F DR	SENSES IF EITHER DRAWER OPEN	ORANGE
J4-2	R DR	SENSES IF DOOR OPEN	ORANGE
J4-3	NOT USED (NO PIN)	SENSES IF DEFROST HEATER IS ON OR OFF	GRAY/WHITE
J4-4	ICE MAKER VALVE SENSOR	SENSES IF ICE MAKER VALVE IS ON OR OFF	TAN
J4-5	ICE MAKER VALVE SENSOR	SENSES IF ICE MAKER VALVE IS ON OR OFF	TAN
J1-1	EVAP FRZ	SENSES FRZ EVAP TEMP	ORANGE/RED
J1-2	EVAP FRZ	SENSES FRZ EVAP TEMP	BLUE/RED
J1-3 THRU 6	NOT USED	SENSES FRZ EVAP TEMP	BLUE/RED
J1-7 & 8	FRZ	SENSES FRZ CABINET TEMP	BLUE/BLACK

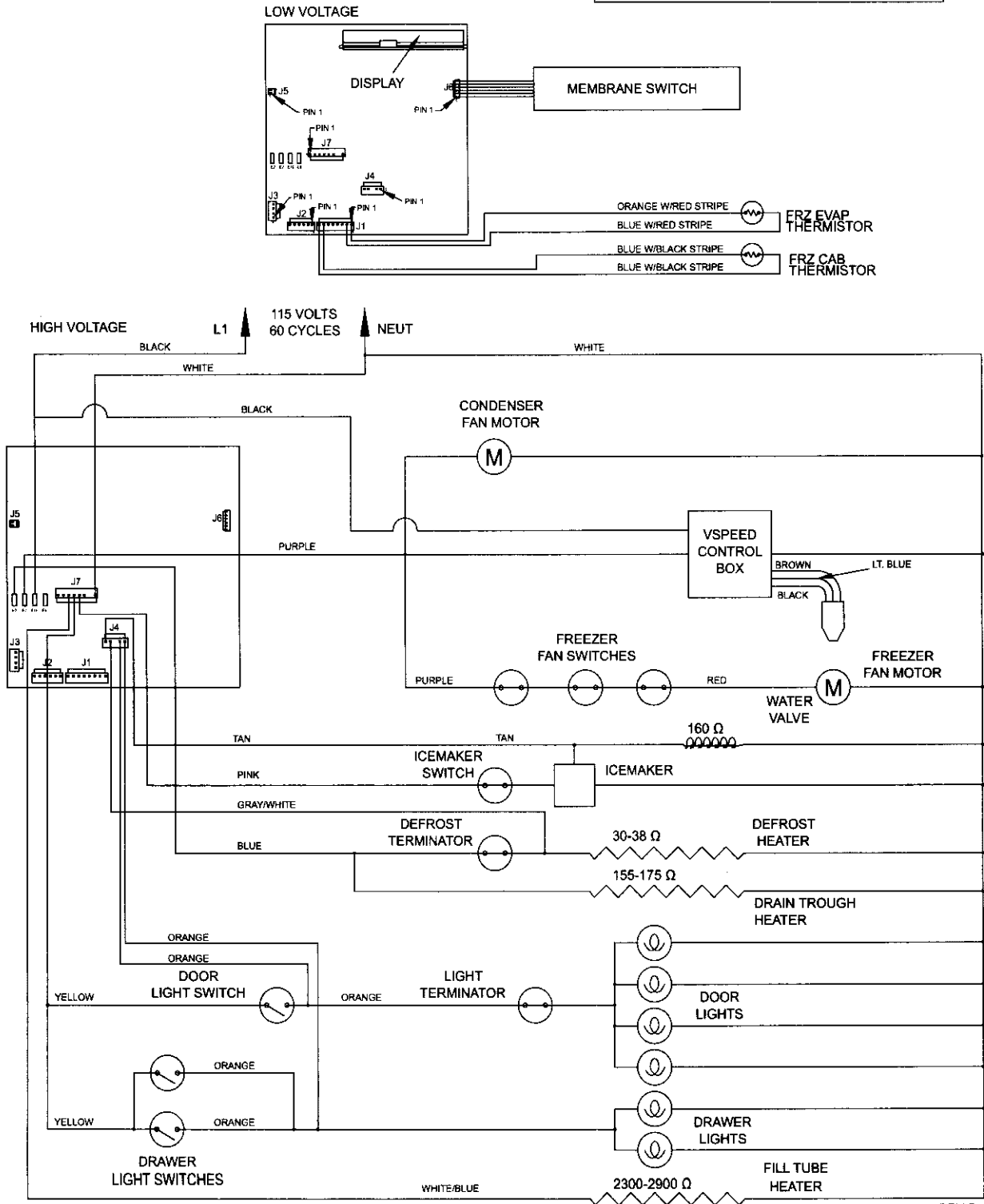
P/N 3758594 REV B

WIRING SCHEMATIC

MODEL: 700 TF/I-3

⚠ WARNING

- This wiring information is provided for use by qualified service personnel only.
- Disconnect appliance from electrical supply before beginning service.
- Be sure all grounding devices are connected when service is complete.
- Failure to observe the above warnings may result in severe electrical shock.



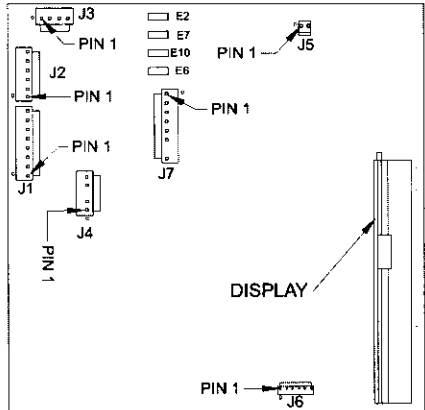
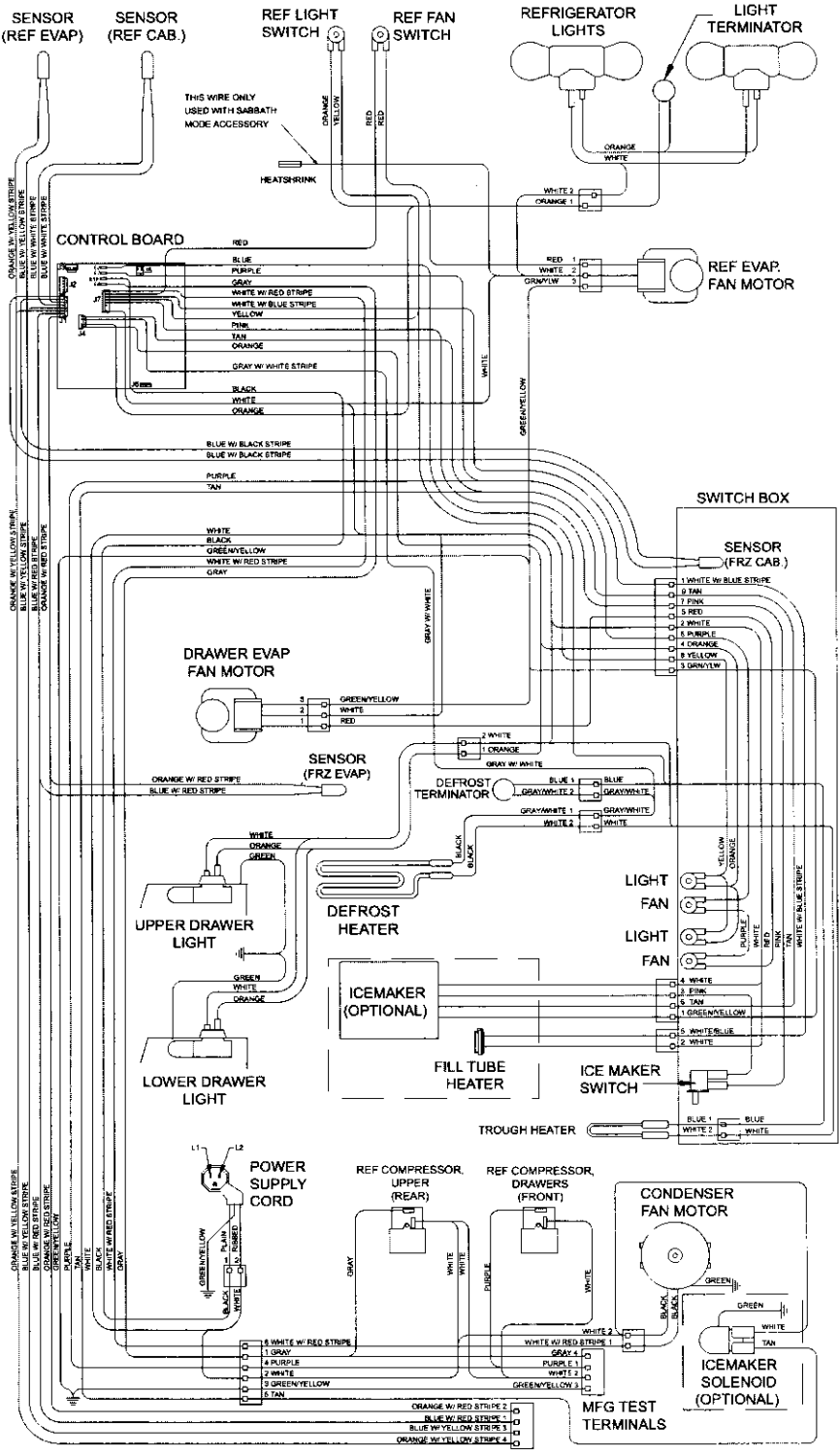


PART NUMBER 3758578 REV C

WIRING DIAGRAM MODEL: 736TC/I-3

⚠ WARNING

- This wiring information is provided for use by qualified service personnel only.
- Disconnect appliance from electrical supply before beginning service.
- Be sure all grounding devices are connected when service is complete.
- Failure to observe the above warnings may result in severe electrical shock.



CONTROL BOARD DETAIL

CONTROL BOARD SUMMARY

CIRCUIT	DESCRIPTION	FUNCTION	COLOR
E2	120 VOLT CIRCUITS	POWERS DEFROST HEATER	BLUE
E7	DEF HTR	POWERS FRZ COMPRESSOR (DRAWERS)	PURPLE
F COMP	FRZ COMPRESSOR	POWER INTO BOARD	BLACK
E10	L1	POWERS REF COMPRESSOR (DOOR)	GRAY
E6	R COMP	POWERS REF COMPRESSOR FAN	WHITE/RED
J7-1	C FAN	POWERS CONDENSER FAN	WHITE/RED
J7-2	F FAN	POWERS FILL TUBE HEATER AND ACCESSORIES	WHITE/BLUE
J7-3	F FAN SW	POWERS LIGHTS	YELLOW
J7-4	LITES	POWERS ICE MAKER	PINK
J7-5	ICE	ICE MAKER	PINK
J7-6	ICE MAKER	ICE MAKER	PINK
J7-7	NOT USED	ICE MAKER	PINK
J7-8	NOT USED (NO PIN)	ICE MAKER	PINK
J7-9	NEU	NEUTRAL INTO BOARD	WHITE
J7-10	NEUTRAL	NEUTRAL INTO BOARD	WHITE
J4-1	DRWTR LIGHTS SENSE	SENSES IF DRAWER OPEN	ORANGE/BLACK
J4-2	DRWTR LIGHTS SENSE	SENSES IF DOOR OPEN	ORANGE
J4-3	DRWTR LIGHTS SENSE	SENSES IF DOOR OPEN	ORANGE
J4-4	DEF SENSOR	SENSES WHEN DEF HEATER SHUTS OFF	GRAY/WHITE
J4-5	DEF SENSOR	SENSES WATER VALVE ACTIVATION	TAN
J4-6	DEF SENSOR	SENSES WATER VALVE ACTIVATION	TAN
J1-1	EVAP FRZ	SENSES FRZ EVAP TEMP (DRAWERS)	ORANGE/RED
J1-2	FRZ FRZ	SENSES FRZ TEMP (DRAWERS)	ORANGE/RED
J1-3	EVAP FRZ	SENSES FRZ TEMP (DRAWERS)	ORANGE/RED
J1-4	EVAP FRZ	SENSES FRZ TEMP (DRAWERS)	ORANGE/RED
J1-5	REF	SENSES REF EVAP TEMP	BLUE/YELLOW
J1-6	REF	SENSES REF CABINET TEMP	BLUE/WHITE
J1-7	FRZ	SENSES REF CABINET TEMP (DRAWERS)	BLUE/WHITE
J1-8	FRZ	SENSES FRZ CABINET TEMP (DRAWERS)	BLUE/BLACK
J1-9	FRZ	SENSES FRZ CABINET TEMP (DRAWERS)	BLUE/BLACK

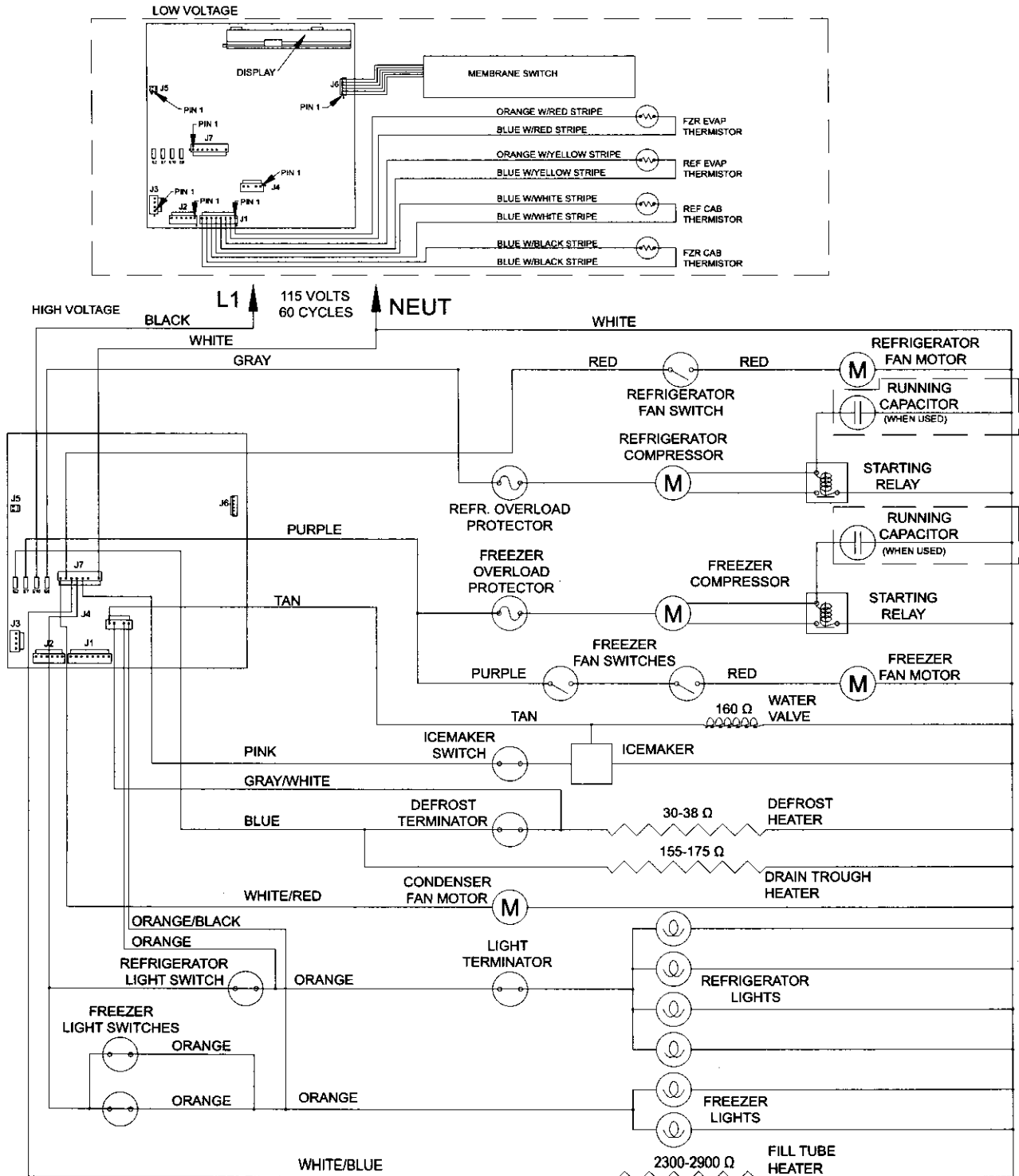


PART NUMBER 3758578 REV C

WIRING SCHEMATIC MODEL: 736TC/I-3

WARNING

- This wiring information is provided for use by qualified service personnel only.
- Disconnect appliance from electrical supply before beginning service.
- Be sure all grounding devices are connected when service is complete.
- Failure to observe the above warnings may result in severe electrical shock.



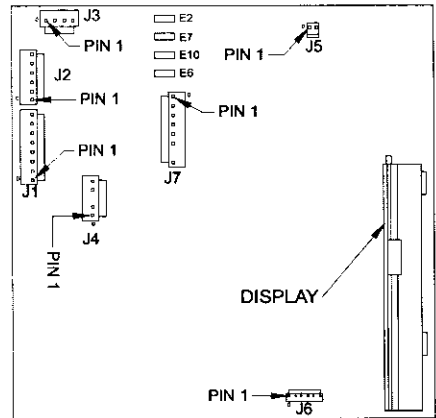
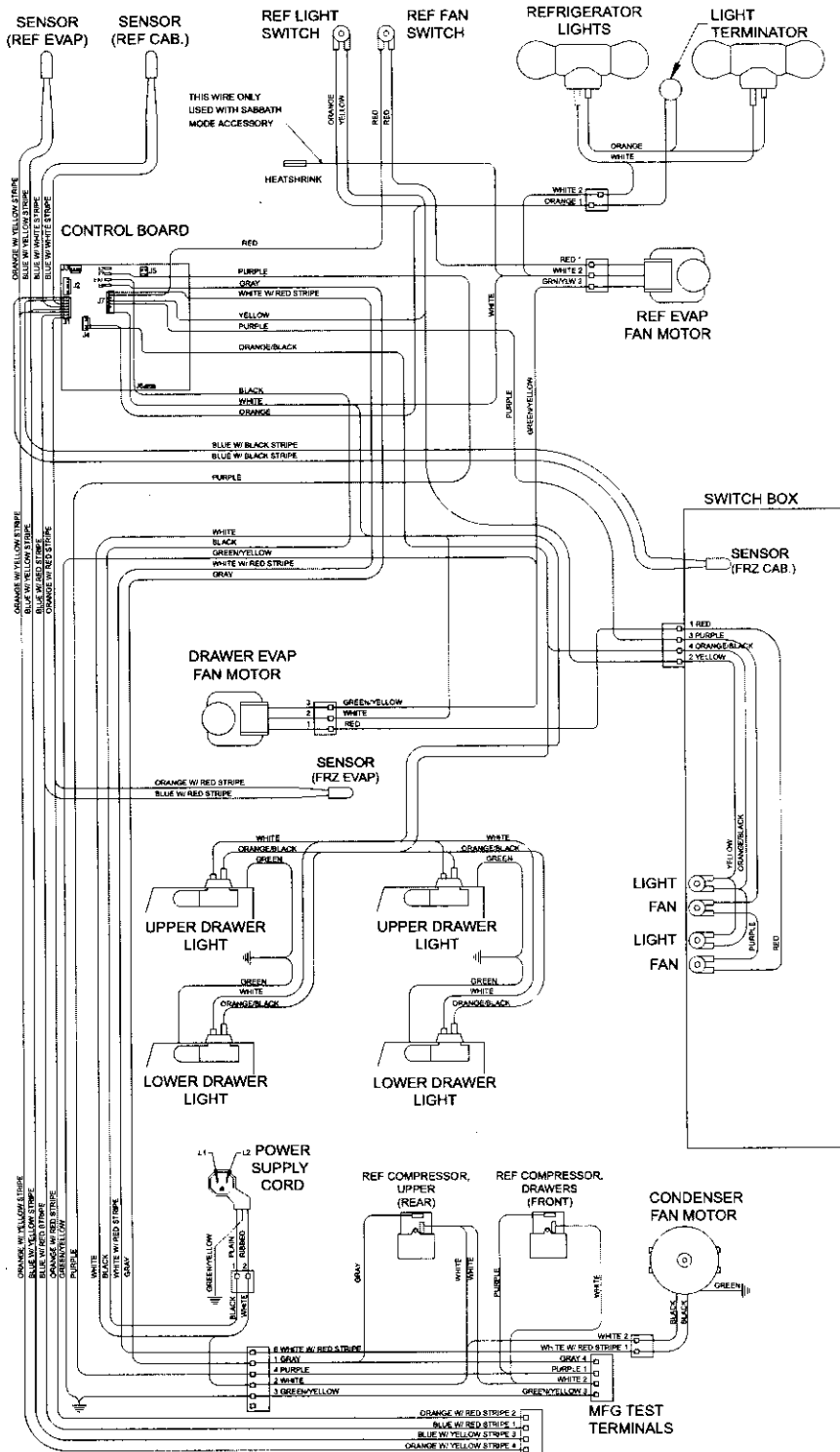


PART NUMBER 7000922 REV A

WIRING DIAGRAM MODEL: 736TR-3

⚠ WARNING

-This wiring information is provided for use by qualified service personnel only.
 -Disconnect appliance from electrical supply before beginning service.
 -Be sure all grounding devices are connected when service is complete.
 -Failure to observe the above warnings may result in severe electrical shock.



CONTROL BOARD DETAIL

CIRCUIT	DESCRIPTION	FUNCTION	COLOR
E2	120 VOLT CIRCUITS		PURPLE
E7	NOT USED		BLACK
E6	DRAWER COMPRESSOR	POWERS REF COMPRESSOR (DRAWERS)	GRAY
E10	REF COMPRESSOR	POWERS INTO BOARD	WHITE/RED
J7-1	C PAN	POWERS CONDENSER FAN	RED
J7-2	FAN SW	POWERS REF FAN SW	YELLOW
J7-3	NOT USED		PURPLE
J7-4	LITES	POWERS LIGHTS	
J7-5	FAN SW	POWERS DRAWER FAN SW	
J7-6	NOT USED		
J7-7	NOT USED		
J7-8	NEUTRAL INTO BOARD		WHITE
J4-1	REF COMPRESSOR	SENSES IF EITHER DRAWER OPEN	ORANGE/BLACK
J4-2	FAN SW	SENSES IF DOOR OPEN	ORANGE
J4-3	NOT USED		
J4-4	NOT USED		
J4-5	NOT USED		
J1-1	LOW VOLTAGE THERMISTOR CIRCUITS		
J1-2	EMVAP FRZ	SENSES FRZ EVAP TEMP (DRAWERS)	ORANGE/RED
J1-3	EMVAP REF	SENSES FRZ EVAP TEMP (DRAWERS)	BLUE/RED
J1-4	EMVAP REF	SENSES REF EVAP TEMP	ORANGE/YEL
J1-5	EMVAP REF	SENSES REF EVAP TEMP	BLUE/YELLOW
J1-6	REF COMPARTMENT	SENSES REF CABINET TEMP	BLUE/WHITE
J1-7	REF COMPARTMENT	SENSES REF CABINET TEMP (DRAWERS)	BLUE/BLACK
J1-8	FRZ COMPARTMENT	SENSES FRZ CABINET TEMP (DRAWERS)	BLUE/BLACK



PART NUMBER 7000922 REV A

WIRING SCHEMATIC

MODEL: 736TR-3

WARNING

- This wiring information is provided for use by qualified service personnel only.
- Disconnect appliance from electrical supply before beginning service.
- Be sure all grounding devices are connected when service is complete.
- Failure to observe the above warnings may result in severe electrical shock.

