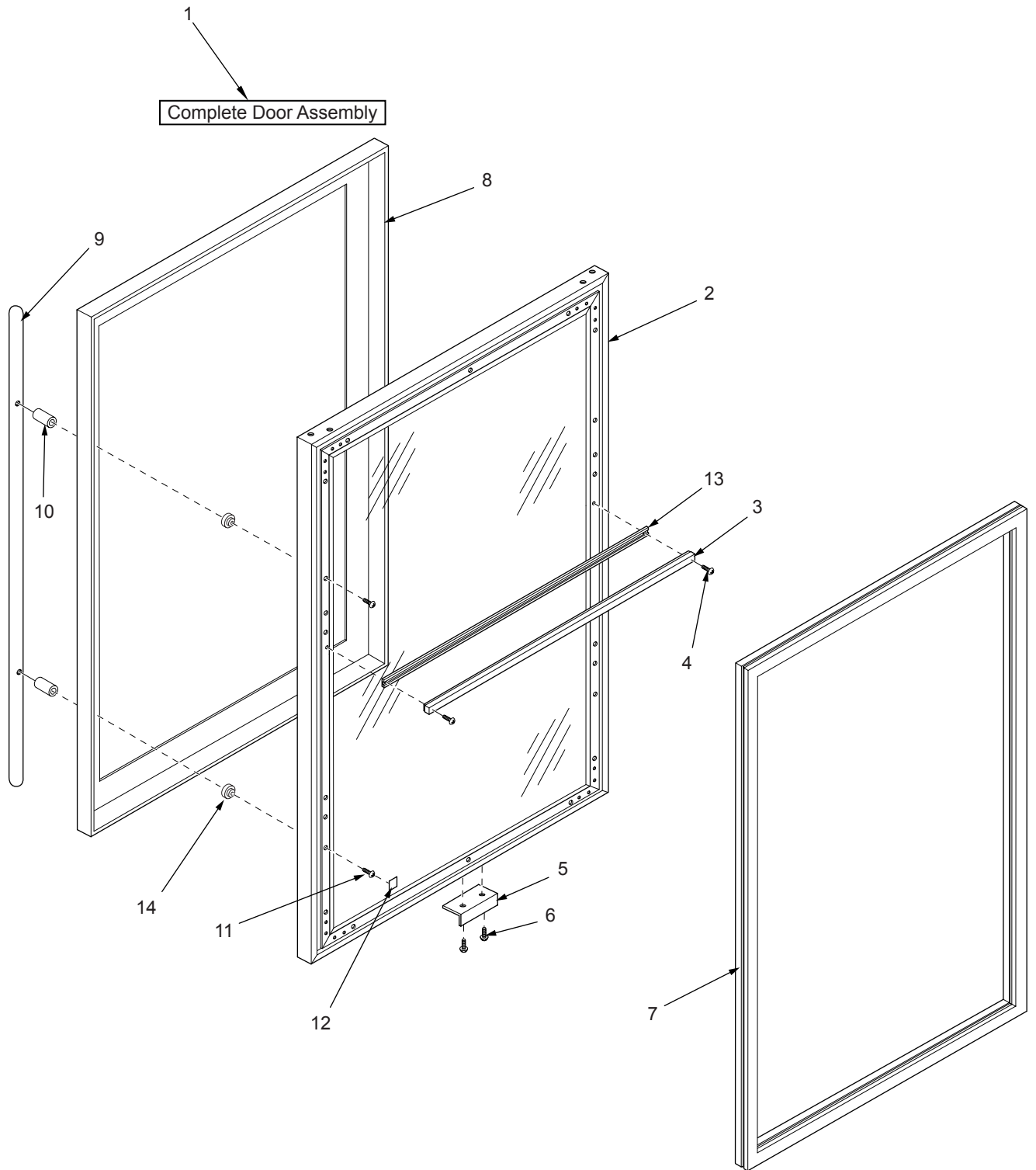


424 DOOR VIEW PARTS LIST

1. 4134180 Door Assy, SRVC - 424G/O (Does not include hinges)
- 4134361 Door Assy, (High Altitude) -424HAG/O (Does not include hinges)
- 4134190 Door Assy, SRVC - 424G/S RH (Does not include hinges)
- 4134200 Door Assy, SRVC - 424G/S LH (Does not include hinges)
- 4134371 Door Assy, (High Altitude) -424HAG/S RH (Does not include hinges)
- 4134372 Door Assy, (High Altitude) -424HAG/S LH (Does not include hinges)
- 4135045 Door Assy,SRVC-424G/B-RH (Does not include hinges)
- 4135046 Door Assy,SRVC-424G/B-LH (Does not include hinges)
- 4135047 Door Assy,SRVC-424HAG/B-RH (High Altitude) (Does not include hinges)
- 4135048 Door Assy,SRVC-424HAG/B-LH (High Altitude) (Does not include hinges)
- 4135055 Door Assy,SRVC-424G/P-RH (Does not include hinges)
- 4135056 Door Assy,SRVC-424G/P-LH (Does not include hinges)
- 4135057 Door Assy,SRVC-424HAG/P-RH (High Altitude) (Does not include hinges)
- 4135058 Door Assy,SRVC-424HAG/P-LH (High Altitude) (Does not include hinges)
- 4134210 Door Assy, SRVC - 424S/O (Does not include hinges)
- 4134220 Door Assy, SRVC - 424S/S RH (Does not include hinges)
- 4134230 Door Assy, SRVC - 424S/S LH (Does not include hinges)
- 4135063 Door Assy,SRVC-424S/B-RH (Does not include hinges)
- 4135064 Door Assy,SRVC-424S/B-LH (Does not include hinges)
- 4135073 Door Assy,SRVC-424S/P-RH (Does not include hinges)
- 4135074 Door Assy,SRVC-424S/P-LH (Does not include hinges)
2. 4132720 Door Assy, 424Glass/O (424G/O)
- 4134360 Door Glass Assy, (High Altitude) -(424HAG/O)
- 4132730 Door Assy. 424Glass/S (424G/B, 424G/P, 424G/S)
- 4134370 Door Glass Assy, (High Altitude) -(424HAG/B, 424HAG/P, 424HAG/S)
- 4132980 Door Assy, 424Solid/O (424S/O)
- 4132990 Door Assy. 424Solid/S (424S/B, 424S/P, 424S/S)
3. 3212020 Seal, Center
4. 6201360 Screw, #4 x 3/4" Ph Pan Hd Type A
5. 3450990 Switch Depressor, Black
- 3450991 Switch Depressor, Silver
6. 6200050 Screw, #10-12 x 1/2" Pan HD
7. 3211950 Gasket, Door
8. 4203150 SS Door Panel Pkg, Glass-424RH (424G/S-RH)
- 4203160 SS Door Panel Pkg, Glass-424LH (424G/S-LH)
- 4135141 Door Skin Assy,SRVC-424G/B-RH (424G/B, 424HAG/B)
- 4135142 Door Skin Assy,SRVC-424G/B-LH (424G/B, 424HAG/B)
- 4135151 Door Skin Assy,SRVC-424G/P-RH (424G/P, 424HAG/P)
- 4135152 Door Skin Assy,SRVC-424G/P-LH (424G/P, 424HAG/P)
- 4203190 SS Door Panel Pkg, Solid-424RH (424S/S-RH)
- 4203200 SS Door Panel Pkg, Solid-424LH (424S/S-RH)
- 4135161 Door Skin Assy,SRVC-424S/B-RH (424S/B)
- 4135162 Door Skin Assy,SRVC-424S/B-LH (424S/B)
- 4135171 Door Skin Assy,SRVC-424S/P-RH (424S/P)
- 4135172 Door Skin Assy,SRVC-424S/P-LH (424S/P)
9. 3511060 SS Drawer / Door Handle, 3/4"Dia x 24-3/16" (424G/S, 424S/S) - (See SN Breaks)
- 3512030 Handle, Door SS 3/4 X 24.188 (424G/S, 424S/S) - (See SN Breaks)
- 3512031 Handle, Door 3/4 X 24-3/16, B (424G/B, 424S/B)
- 3512032 Handle, Door 3/4 X 24-3/16, P (424G/P, 424S/P)
10. 3511150 SS Handle Standoff, 3/4"Dia (424G/S, 424S/S) - (See SN Breaks)
- 3512190 Standoff, SS Oval (424G/S, 424S/S) - (See SN Breaks)
- 3512191 Standoff, Oval Carbon (424G/B, 424S/B)
- 3512192 Standoff, Oval Platinum (424G/P, 424S/P)
11. 6110650 Machine Screw, #10-24x2 TRHDSS (424G/B, 424G/P, 424G/S, 424S/B, 424S/P, 424S/S)
12. 6230970 Poly Tape
13. 2813001 Holder, Compression Gasket - 21.5 (424G/O, 424S/O)
- 2813101 Holder, Compression Gasket - 21.5 (424G/B, 424G/P, 424G/S, 424S/B, 424S/P, 424S/S)
14. 6160250 Spacer - Door Handle (424G/B, 424G/P, 424G/S, 424S/B, 424S/P, 424S/S)

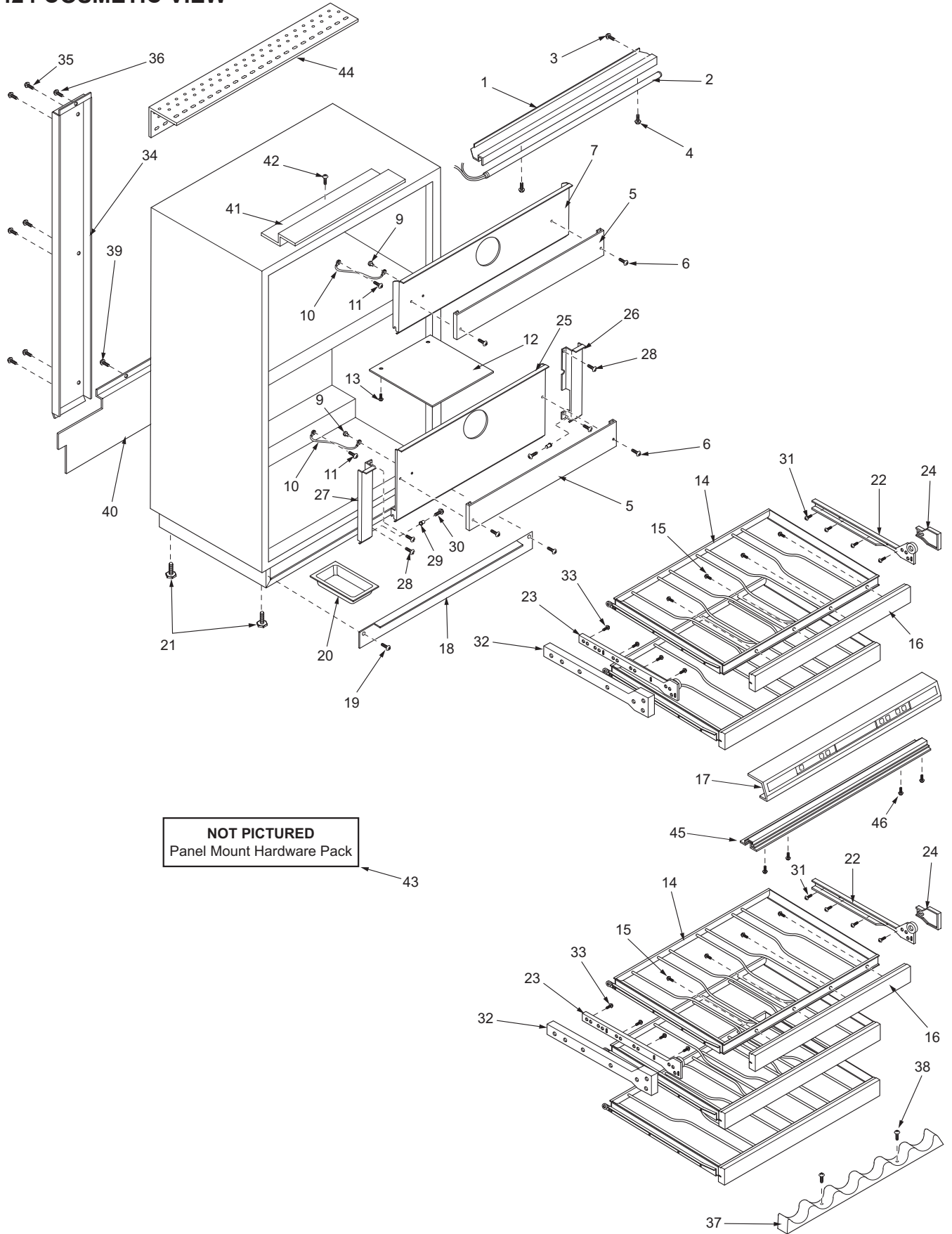
424 DOOR VIEW



424 COSMETIC VIEW PARTS LIST

- | | | | | | |
|-----|---------|--|-----|---------|---|
| 1. | 3511670 | Light Strip Housing, Upper | 23. | 3413552 | Cabinet Slide, LH |
| 2. | 3030150 | Light Strip, 15 WATT | 24. | 3421830 | Slide Spacer |
| 3. | 6201270 | Screw, #8-18 x 5/8" PH PN SS-Gnd | 25. | 0200930 | Evaporator Cover, Lower |
| 4. | 6201310 | Screw, #8 x 1-3/4" Flat PH HD | 26. | 0200940 | Evaporator Support Cover, RH |
| 5. | 0212320 | Evaporator Fan cover | 27. | 0200950 | Evaporator Support Cover, LH |
| 6. | 6201010 | Screw, #8-15 x 2" Pan Head | 28. | 6201270 | Screw, #8-18 x 5/8" PH PN SS-Gnd |
| 7. | 0200920 | Evaporator Cover, Upper | 29. | 3520120 | Brass Insert |
| 8. | N/A | | 30. | 6200130 | Screw, #8-18 x 3/4" Truss HD |
| 9. | 6180010 | Pop Rivet, 1/8" | 31. | 6201230 | Screw, #8 x 7/8" w/a #7 PH FT Head |
| 10. | 4323860 | Ground Wire Assy | 32. | 3421820 | Slide Support Spacer |
| 11. | 6201270 | Screw, #8-18 x 5/8" PH PN SS-Gnd | 33. | 6201240 | Screw, #8X1-3/8" w/a #7 PH FT Head |
| 12. | 0184410 | Panel, Srvc/Access (See SN Breaks) | 34. | 0168850 | Duct, Back |
| | 4152220 | Pnl Assy, Srvc Acc (See SN Breaks) | 35. | 6201240 | Screw, #8 x 1-3/8" w/a #7 PH FT Hd |
| 13. | 6200720 | Screw, #8-18 x 1/2 PH Truss HD | 36. | 6200060 | Screw, #8-32 x 1/2" Pan HD |
| 14. | 4181720 | Wine Rack Assembly | 37. | 3413600 | Bottom Rack |
| 15. | 6201420 | Screw | 38. | 6201290 | Screw, #8-15 PH PN HD SS, White |
| 16. | 3516520 | Molding, Wood Wine Rack | 39. | 6200010 | Screw, #10-12 x 3/4" Pan HD |
| 17. | 4203100 | Control Panel Pkg, SRVC - 424 | 40. | 4152000 | Lwr Cover Assy (Incl. Power Cord) |
| 18. | 3560050 | Kickplate Grille, Blk (See SN Breaks) | | 0120990 | Back Cover, Lower |
| | 3560120 | Kickplate Grille, Blk (See SN Breaks) | 41. | 0260200 | Bracket - Ref to Countertop |
| | 3560051 | Kickplate Grille, Slvr (See SN Breaks) | 42. | 6200010 | Screw, #10-12 x 3/4" Pan HD |
| | 3560100 | Kickplate Grille, Slvr (See SN Breaks) | 43. | 6201430 | <i>(Not pictured) Panel Mount Hdwr Pk</i> |
| 19. | 6200050 | Screw, #10-12 x 1/2" Pan HD | 44. | 0168810 | Anti Tip Bracket - 23-7/8" |
| 20. | 0163150 | Drain Pan | 45. | 3511700 | Housing, Lower Light |
| 21. | 3570050 | Leveling Leg, #18-3/8 x 1" | | | (No Lower Light Strip in model 424) |
| 22. | 3413551 | Cabinet Slide, RH | 46. | 6201270 | Screw, #8-18 x 5/8" PH PN SS-Gnd |

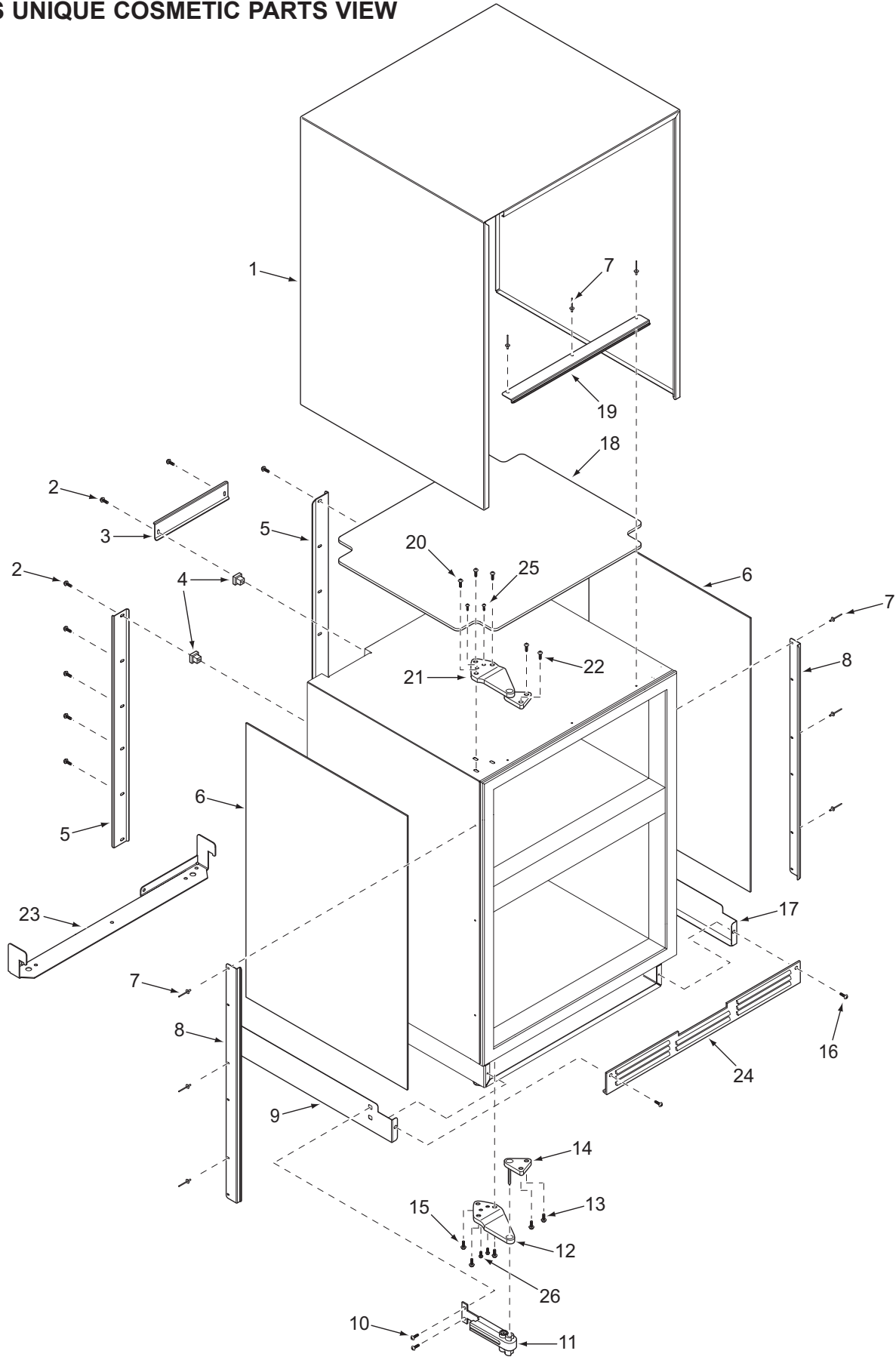
424 COSMETIC VIEW



424FS UNIQUE COSMETIC PARTS VIEW LIST

1. 0810100 Wrap, Stainless Overlay, RH
0810110 Wrap, Stainless Overlay, LH
2. 6200130 Screw, #8-18 x 3/4" Truss HD (10)
3. 4152100 Bracket, Back Top Assy
4. 6220320 Screw Grommet (10)
5. 4152110 Bracket, Back Side (2)
6. 3220830 Foam Pad, 125 X 29.2 X 19.8 (2)
7. 6180210 Pop Rivet, 1/8 X 3/16 (9)
8. 0860910 Bracket, Front Side (2)
9. 4152121 Cover, Base Assy. - Hinge Side - RH
4152122 Cover, Base Assy. - Hinge Side - LH
10. 6200330 Screw, #8-18 x 3/8" Pan Head (2)
11. 3540810 Door Closer
12. 3541112 Hinge, Cabinet Bottom-Silver
13. 6200780 Bolt, #10-24 x 1/2" Flat Socket HD (2)
14. 3541095 Hinge, Door Bottom, Silver - RH
3541096 Hinge, Door Bottom, Silver - LH
15. 6200780 Screw, #10-24 x 1/2" PH Hex Washer (3)
16. 6200120 Screw, #10-12 x 1/2" Truss HD
17. 4152131 Cover, Base - Handle Side - RH
4152132 Cover, Base - Handle Side - LH
18. 3220820 Foam Pad, .25 X 22.8 X 19.5
19. 0860920 Bracket, Front Top
20. 6110540 Bolt, #10-24 x 1/2" Flat Socket HD (3)
21. 3541122 Hinge, Cabinet Top Assy Silver
22. 6110540 Bolt, #10-24 x 1/2" Flat Socket HD (2)
23. 0860900 Bracket, Anti-Tip
24. 3560070 Kickplate, Grille (See SN Breaks)
3560110 Kickplate, Grille (See SN Breaks)
25. 6200210 Screw, #8-32 x 1/2" Flat Head (2)
26. 6201500 Screw, #10X3/4 Drill PH Hex (2)

424FS UNIQUE COSMETIC PARTS VIEW



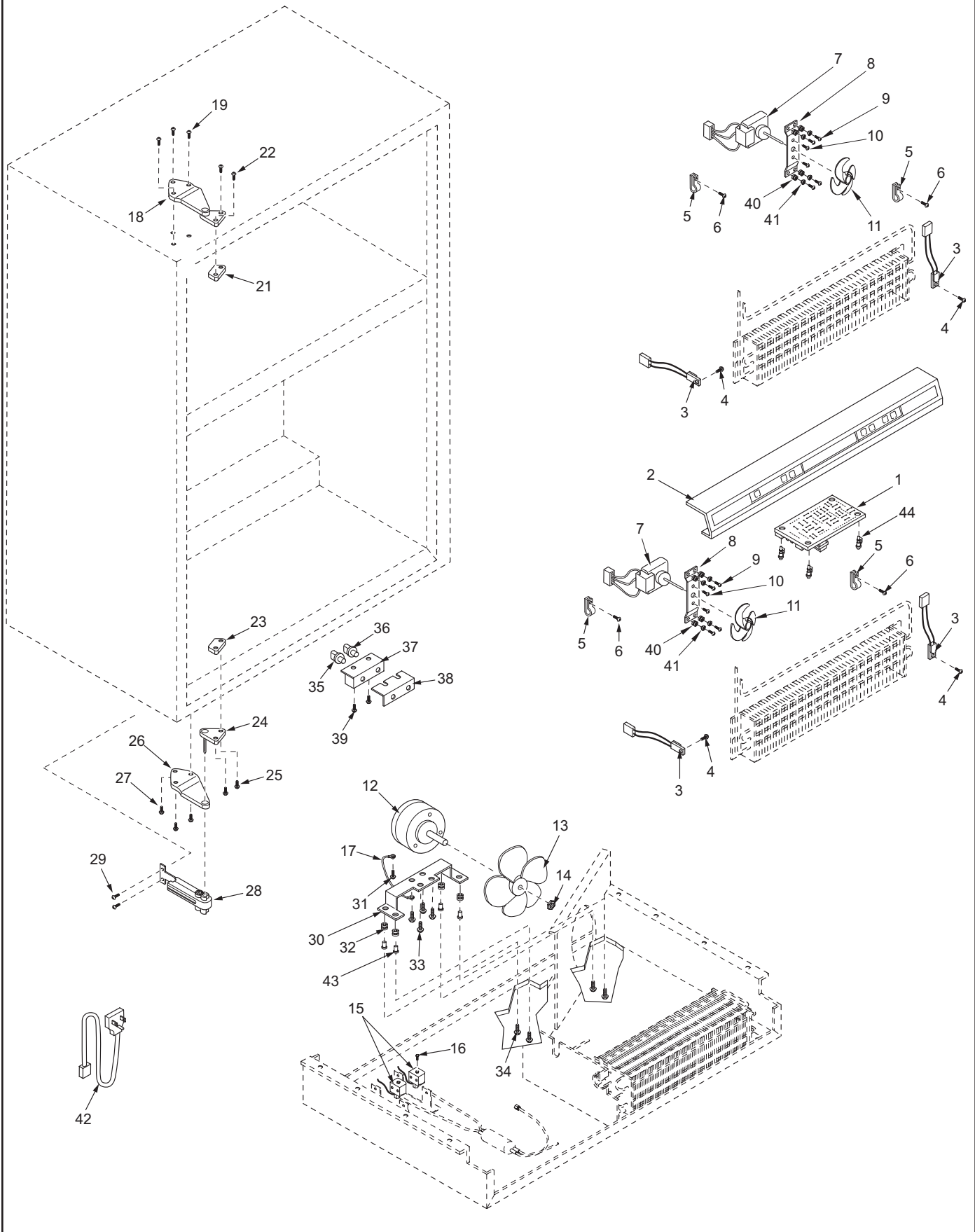
424 MECHANICAL VIEW PARTS LIST

- | | | | | | |
|-----|---------|---|-----|---------|--|
| 1. | 4203140 | Control Board PKG, SRVC 400 | 24. | 3541093 | Hinge, Door Bottom - RH Black |
| 2. | 4203100 | Control Panel Pkg, SRVC - 424 | | 3541094 | Hinge, Door Bottom - LH Black |
| 3. | 3014350 | Thermistor | | 3541095 | Hinge, Door Bottom - RH Silver |
| 4. | 6201270 | Screw, #8-18 x 5/8" PH PN SS-Gnd | | 3541096 | Hinge, Door Bottom - LH Silver |
| 5. | 6120030 | Tube Clamp, Plastic 1/4" | 25. | 6110540 | Bolt, #10-24 x 1/2" Flat Skt HD (Slvr) |
| 6. | 6201270 | Screw, #8-18 x 5/8" PH PN SS-Gnd | | 6110811 | Bolt, #10-24X3/4 Ph Flat Hd, B |
| 7. | 4220490 | Fan Motor Assy (Incl. Brkt & Screws) | 26. | 3541110 | Hinge, Cabinet Bottom- Black |
| 8. | 0212330 | Bracket, Evap Fan Motor | | 3541112 | Hinge, Cabinet Bottom-Silver |
| 9. | 6201270 | Screw, #8-18 x 5/8" PH PN SS-Gnd | 27. | 6200780 | Screw, #10-24 x 1/2" PH Hex Washer |
| 10. | 6110270 | Bolt, #10-32 x 1/4" RD HD | 28. | 3540810 | Door Closer |
| 11. | 3150640 | Fan blade, Evaporator | 29. | 6200330 | Screw, #8-18 x 3/8" Pan Head |
| 12. | 4200740 | Cond Fan Mtr Cmpnts (Blade & Brkt NOT included) | 30. | 0862210 | Bracket, Condenser Fan Motor |
| 13. | 3150660 | Condenser Fan Blade | 31. | 6201270 | Screw, #8-18 x 5/8" PH PN SS-Gnd |
| 14. | 6150410 | Nut, 1/4-20 | 32. | 3220160 | Grommet, 3/16" x 7/16" x 9/32" |
| 15. | 4203060 | Valve/Sol Components, UPR-Wine | 33. | 6200490 | Screw, #8-32 x 3/8" Slotted Hex T25 |
| | 4203070 | Valve/Sol Components, LWR-Wine | 34. | 6200610 | Screw, #6-32 x 3/8" PH Rd Hd, Zinc |
| 16. | N/A | (Included w/ Valve/Sol Components) | 35. | 3060030 | Light Switch, Normally Closed |
| 17. | 4321880 | Ground Wire Assembly, 9" | 36. | 3060020 | Fan Switch, Normally Open |
| 18. | 3541121 | Hinge, Cabinet Top Assy Black | 37. | 0862290 | Brckt, Dble Switch (See SN Breaks) |
| | 3541122 | Hinge, Cabinet Top Assy Silver | | 0862390 | Brckt, Trpl Switch (See SN Breaks) |
| 19. | 6110540 | Bolt, #10-24 x 1/2" Flat Socket HD | 38. | 0862240 | Guard, Switch (See SN Breaks) |
| 20. | N/A | N/A | | 0862380 | Guard, Switch (See SN Breaks) |
| 21. | 3541130 | Spacer, hinge (424G/O, 424S/O) | 39. | 6200060 | Screw, #8-32 x 1/2" Pan HD |
| 22. | 6110540 | Bolt, #10-24 x 1/2" Flat Socket HD | 40. | 3220250 | Grommet, Rubber-#M5351 |
| 23. | 3541130 | Spacer, Hinge (424G/O, 424S/O) | 41. | 3520120 | Brass Insert, Fan Bracket |
| | | | 42. | 3025160 | Flat Plg Pwr Crd (Also See 4152000) |
| | | | | 3220350 | (Not Pictured) Strain Relief Bushing |
| | | | 43. | 6220290 | Stand-Off, #6-32 |
| | | | 44. | 3450810 | Circuit Board Support |

Not Pictured

- | | |
|---------|-----------------------|
| 3021420 | Wire Harness, Cabinet |
| 3220350 | Strain Relief Bushing |

424 MECHANICAL VIEW



424 SEALED SYSTEM VIEW PARTS LIST

1. 4203060 Valve/Sol Components, UPR-Wine
- 4203070 Valve/Sol Components, LWR-Wine
2. 6160030 Spacer, 5/16 x 7/16 x 5/8"
3. 3150010 Rubber Grommet, Small, 5/8"
4. 6240050 Flat Washer, 5/16"
5. 6200140 Screw, #8-15 x 3/8" Truss HD
6. 6120030 Tube Clamp, Plastic 1/4"
7. 3014420 Drier, Service Wine
8. 6240050 Flat Washer, 5/16"
9. 6240090 Lock Washer, 5/16"
10. 6150220 Nut, 5/16-18 Hex Zinc
11. 4203230 Compressor (EMI30HER)
- 3111370 Relay, (1351400)
- 3111410 Overload, (4TM734LFB)
12. 6200110 Screw, #10 -12 x 5/8" Truss SS
13. 6201270 Screw, #8-18 x 5/8" PH PN SS-Gnd
14. 4211540 Evaporator Assembly (Includes Heat Exchanger)
15. 4211540 Evaporator Assembly (Includes Heat Exchanger)
16. 6201270 Screw, #8-18 x 5/8" PH PN SS-Gnd
17. 3120300 Condenser
18. 6200010 Screw, #10 -12 x 3/4" Pan HD
19. 6150080 Nut-Flat, #10-24

424 SEALED SYSTEM VIEW

