



SECTION 2

INSTALLATION INFORMATION



INSTALLATION CONSIDERATIONS

This section covers common installation issues seen by Service Technicians. Improper installation, though not a valid service issue, has the potential to lead to a call for service. Installation related complaints could include, but are not limited to: Unit leveling, unit movement, door misalignment, improper door and drawer sealing, internal frost or condensation, exterior condensation, warm compartment temperatures, etc.

NOTE: If additional installation information is needed, refer to the complete Installation Guide, or contact Sub-Zero Service Department.

⚠ WARNING

IF UNIT IS UNDER A SOLID SOFFIT AND CLEARANCE BETWEEN SOFFIT AND TOP OF UNIT IS GREATER THAN 1" (25.4 mm), OR IF UNIT IS NOT UNDER SOLID SOFFIT, UNIT COULD TIP FORWARD UNDER CERTAIN LOAD CONDITIONS. FAILURE TO INSTALL ANTI-TIP COMPONENTS AND EXTEND LEVELERS TO FLOOR ACCORDING TO INSTALLATION MANUAL COULD RESULT IN SERIOUS INJURY OR DEATH.

Anti-Tip Components Installation (All Models)

If anti-tip components (aka wood block / blocking kit) need be installed, follow these steps:

NOTE: These directions are supplied with each anti-tip package.

1. Locate and mark two wall studs at back of unit installation location (See Figure 2-1).
2. Identify and mark proper height to clear unit top. Space between unit top and bottom of wood block must NOT be more than 1/4" (6.1 mm) (See Figure 2-1).
3. Using the L-brackets and screws provided, secure wood block to wall studs, located in step 1, making sure screws extend 7/8" (22.2 mm) into each wall stud. The wood block must extend a minimum of 3" (76.2 mm) over unit (See Figure 2-1).
4. Utilizing front and rear levelers, raise and level unit until it contacts wood block.
5. Refer to Installation Guide provided with the unit for any additional information needed.

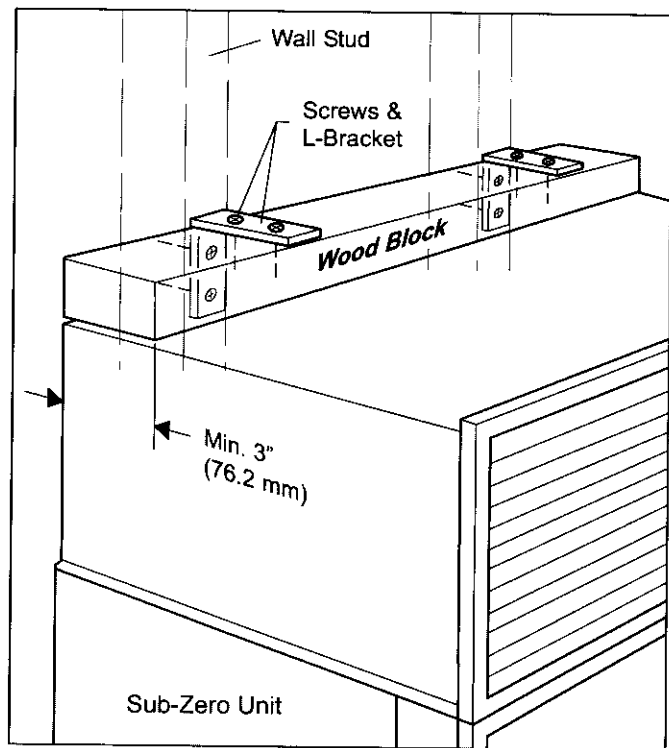


Figure 2-1. Anti-Tip Components

Dual Unit Installations

CAUTION

If two or more units are placed side by side and are 2" or less apart, a dual unit heater package should be applied to the left side of the right hand unit. Failure to install the dual unit heater package could result in exterior condensation between the units.

- Sales Accessory part #TTDUAL should be utilized. (See Figure 2-2)

NOTE: Complete installation instructions are supplied with the #TTDUAL package.

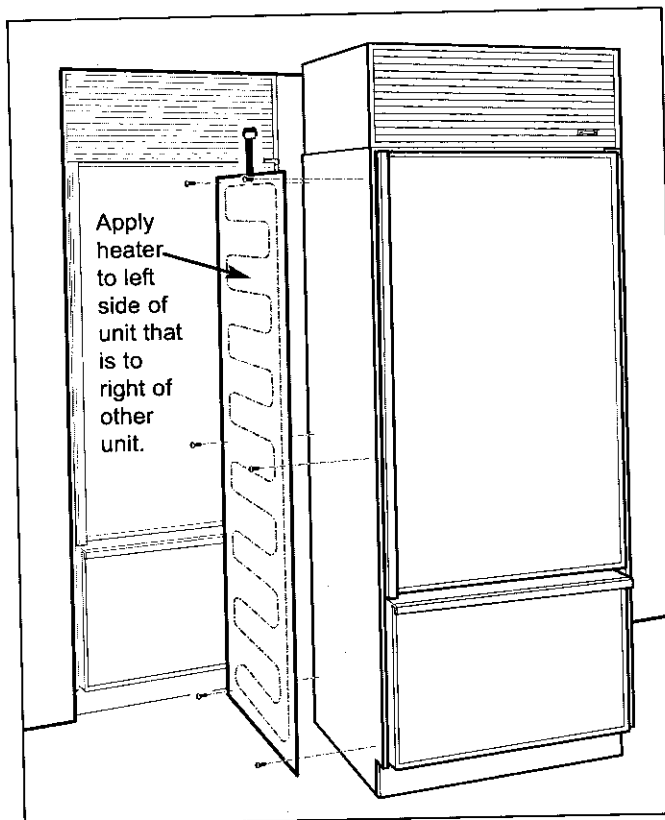


Figure 2-2. Dual Unit Heater

Unit Leveling (All Models)

NOTE: Unit must be installed before final leveling. If unit is anchored to cabinets, remove anchor screws before leveling, reinstalled after.

1. To level unit, first remove kickplate (See Figure 2-3).
2. To raise unit front, turn front leveler legs counterclockwise, clockwise to lower (See Figure 2-4).
3. At front of unit base is an adjusting screw that reaches to rear leveler/roller assembly. To raise unit rear, use 5/16" socket wrench to turn adjusting screw clockwise to raise, counterclockwise to lower (See Figure 2-4).

NOTE: Level is best checked at top & side mainframe.

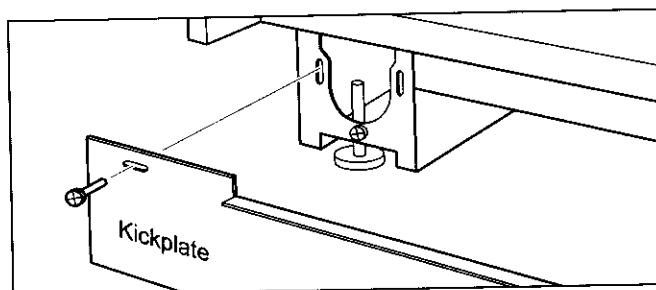


Figure 2-3. Kickplate Removal

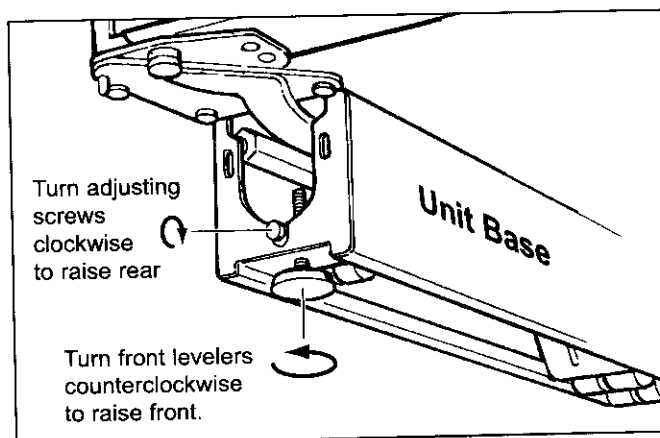


Figure 2-4. Unit Leveling

Door Adjustment (All Models)

NOTE: Unit must be level before adjusting doors.

If unit is properly installed, blocked and leveled, it may still be necessary to adjust door(s) left to right and/or in and out. Adjustments are performed at top and/or bottom door hinge(s).

1. Working on only one hinge at a time (top or bottom), remove and discard two small Phillips head shipping screws from door hinge before attempting adjustments (See Figure 2-5).
2. Loosen and re-snug door hinge mounting screws, allowing door adjustment (See Figure 2-5).
3. After adjusting door, tighten door hinge mounting screws and check for proper door seal.

NOTE: If one door on a side-by-side unit sits higher than the other, bottom hinge shim (part #0183100) is available. To install shim, remove shipping screws from bottom door hinge, then loosen hinge mounting screws. Insert shim(s) between bottom door hinge and bottom door trim. Adjust door accordingly and retighten door hinge screws (See Figure 2-6).

Also see *Special Side-by-Side Door Adjustment instructions* on following page.

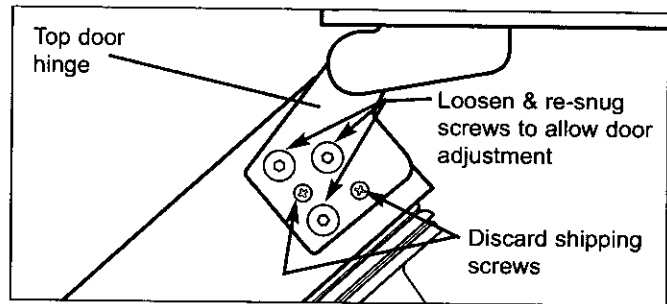


Figure 2-5. Top Door Hinge & Screws

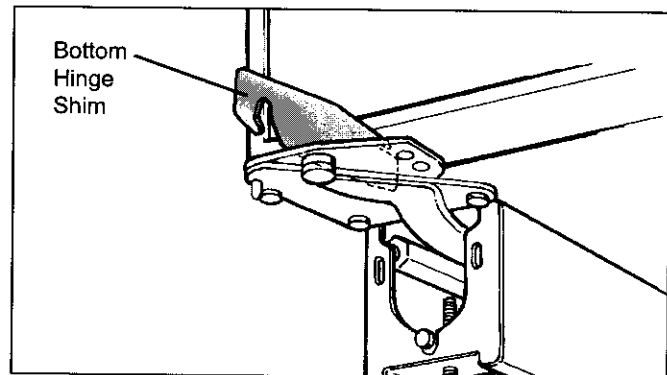


Figure 2-6. Bottom Hinge Shim Installation



Special Side-by-Side Door Adjustment

Occasionally after a side-by-side unit is properly installed, blocked and leveled, the refrigerator door top may stick out farther than the freezer door top, even though the bottom of each door is flush. The adjustment procedure listed below explains how to correct this. (For video showing this procedure, order part #3756530)

NOTE: Unit must be level before adjusting doors.

Special Side-by-Side Door Adjustment Procedure:

1. First - Adjust Refrigerator Door Bottom Hinge OUT:

- a. Extract shipping screws from refrigerator door bottom hinge. Then, loosen & re-snug bottom hinge mounting screws.
- b. Pull refrigerator door bottom hinge corner out to outer most limit & tighten hinge mounting screws.

NOTE: Check door gasket seal by refrigerator door bottom hinge. If gasket is not sealing, loosen & re-snug mounting screws, and push refrigerator door bottom hinge corner in slightly until gasket seals.

- c. Check door alignment. If refrigerator door top still sticks out farther than freezer door, perform second adjustment.

2. Second - Adjust Refrigerator Door Top Hinge IN:

- a. With a pencil, trace location of refrigerator door top hinge for reference. Extract shipping screws from refrigerator door top hinge, then loosen & re-snug top door hinge mounting screws.
- b. Push refrigerator door top hinge corner in to inner most limit & tighten hinge mounting screws.

NOTE: Check door gasket seal around refrigerator door. If gasket is not sealing, adjust accordingly.

- c. Check door alignment. If refrigerator door top still sticks out farther than freezer door, perform third adjustment.

3. Third - Adjust Freezer Door Top Hinge OUT:

- a. With a pencil, trace location of freezer door top hinge for reference. Extract shipping screws from freezer door top hinge, then loosen & re-snug top door hinge mounting screws.
- b. Pull freezer door top hinge corner out to outer most limit & tighten hinge mounting screws.

NOTE: Check door gasket seal by freezer door top hinge. If gasket is not sealing, loosen & re-snug mounting screws, and push freezer door top hinge corner in slightly until gasket seals.

- c. Check door alignment. If refrigerator door top still sticks out farther than freezer door, perform fourth adjustment.

4. Fourth - Adjust Freezer Door Bottom Hinge IN:

- a. Extract Phillips head shipping screws from freezer door bottom hinge. Then, loosen & re-snug bottom door hinge mounting screws.
- b. Push freezer door bottom hinge corner in to inner most limit & tighten hinge mounting screws.

NOTE: Check door gasket seal around freezer door. If gasket is not sealing, adjust accordingly.

- c. Check door alignment. Minor adjustments may still be needed at this point, adjust accordingly.

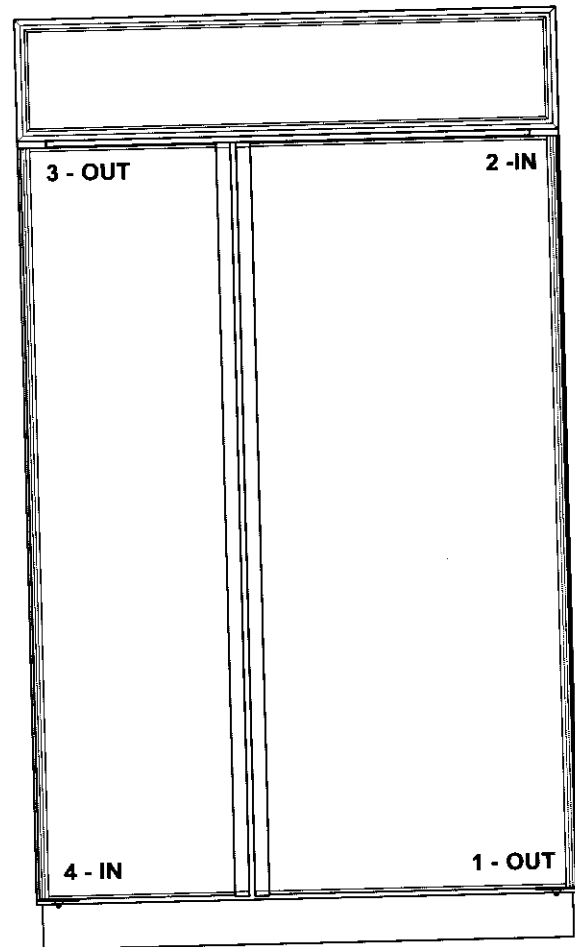


Figure 2-7. Special Side-by-Side Door Adjustment

Freezer Drawer Adjustments (Models 611-3 611G-3, 650-3 & 650G-3)

Vertical Freezer Drawer Adjustment:

NOTE: Before attempting freezer drawer adjustment, remove freezer drawer assembly. Pull drawer assembly out, then lift at front while holding upper freezer basket in place. (See Figure 2-8)

1. Loosen two screws towards rear of each cabinet drawer slide, and extract screw at slide front. (See Figure 2-9)
2. Relocate front screw to desired position in drawer slide insulator grommet (See Figure 2-9).
3. After adjustment, tighten all screws, reinstall drawer assembly, then check door seal for proper gasket seating.

NOTE: If freezer drawer assembly has too much play from side-to-side, freezer drawer slide shims (part # 0232300 - front, part # 0232310 - rear) are available.

Freezer Drawer Front Pitch Adjustment:

1. Remove two 3/4" white plastic plugs from each side of plastic drawer liner. (See Figure 2-10)
2. With 3/8" socket, loosen bolts, then adjust drawer front pitch accordingly. (See Figure 2-10).
3. After adjustment, tighten bolts and check door seal for proper gasket seating.

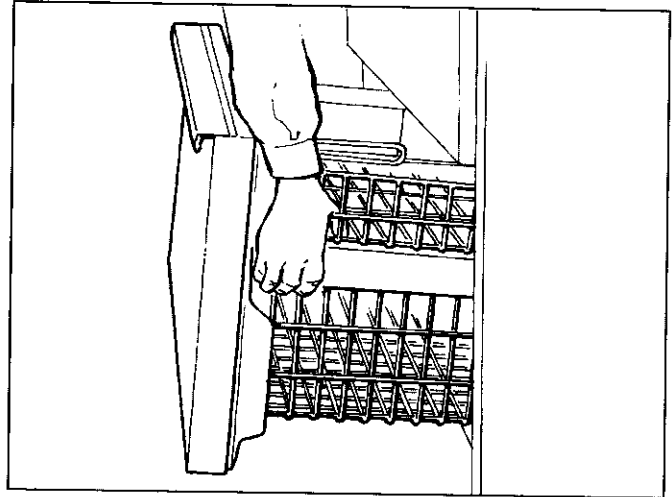


Figure 2-8. Drawer Assembly Removal

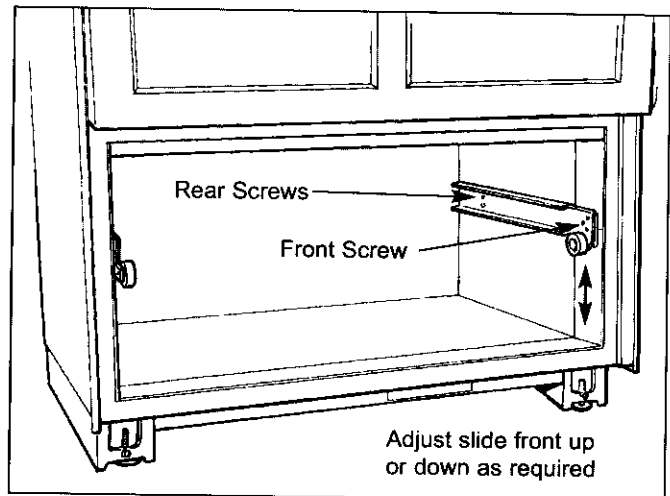


Figure 2-9. Vertical Freezer Drawer Adjustment

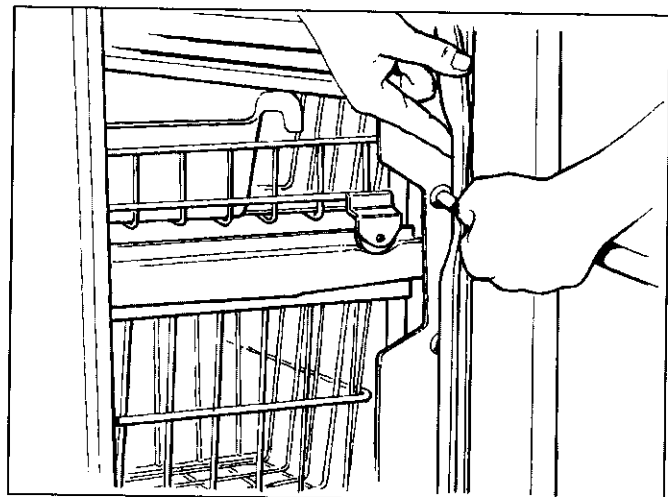


Figure 2-10. Drawer Front Pitch Adjustment

Door Panel Installation (All Framed and Overlay Models)

1. Using a piece of tape stuck to magnetic trim molding center, pull trim molding out at midpoint to expose handle/trim mounting screws (See Figure 2-11).
2. Extract mounting screws and handle/trim from door (See Figure 2-12).
3. Slide door panel into door frame (See Figure 2-13), then reinstalling handle/trim and magnetic trim molding.

NOTE: On dispenser models, the glass well bezel will also need to be removed from door before sliding door panel into door frame. See Bezel removal instructions in section 7 of this manual.

NOTE: If door panel is less than 1/4" thick, a filler panel must be installed behind door panel.

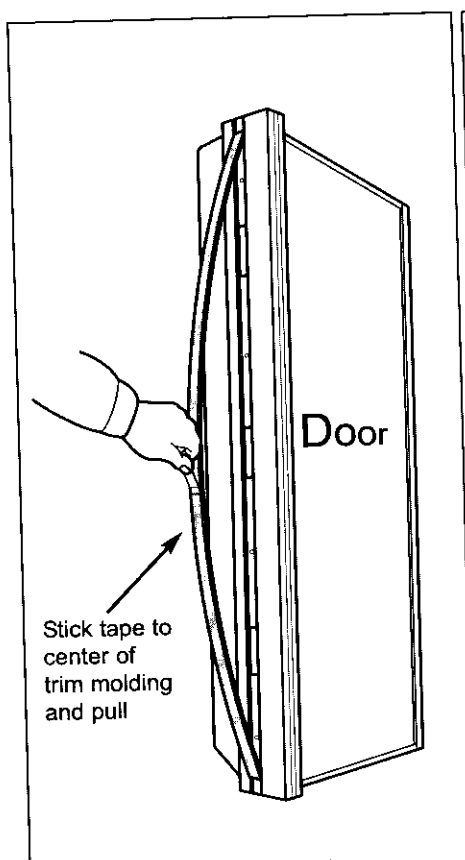


Figure 2-11. Molding Removal

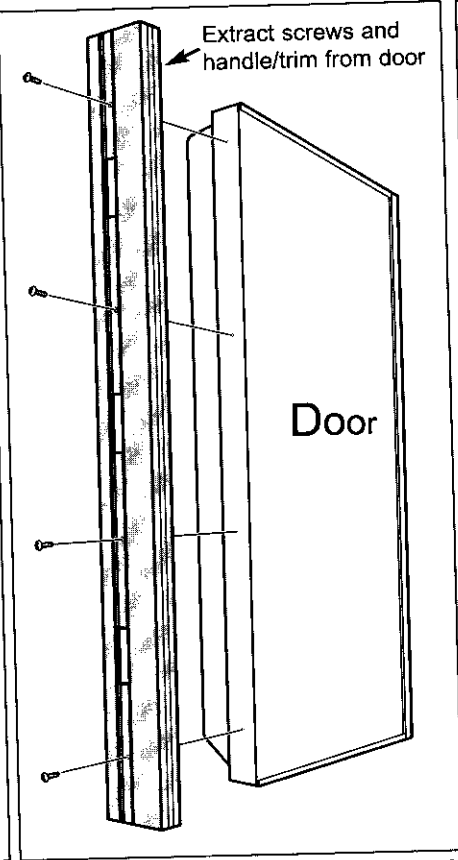


Figure 2-12. Handle/Trim Removal

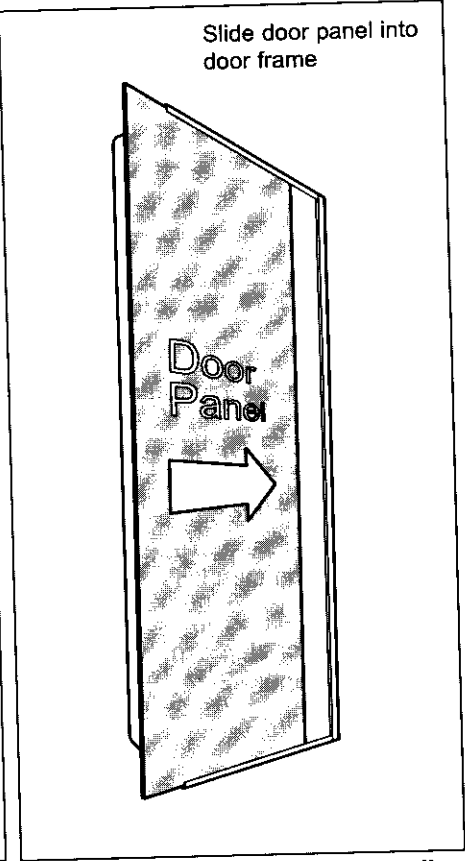


Figure 2-13. Door Panel Install

90° Door Stop Pin Installation (611-3, 650-3)

Part #3550770, 90° Door Stop Pin, is supplied with models 611 and 650. To install:

- a Remove unit grille.
- b. With door closed, insert door stop pin down into threaded hole in top cabinet hinge and tighten (See Figure 2-14). Then, reinstall unit grille.

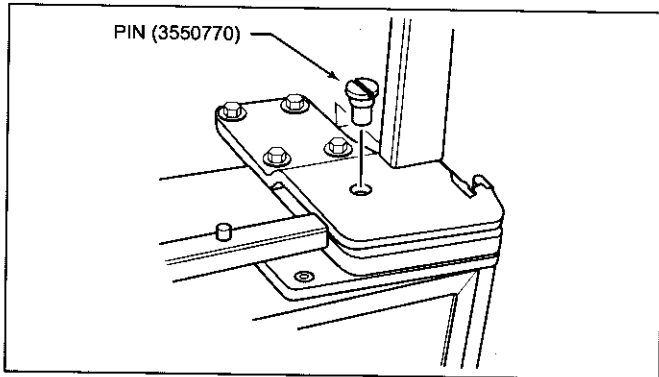


Figure 2-14. 90° Stop Pin (611-3, 650-3)

90° Door Stop Pin Installation (611G-3, 650G-3)

Part #3550770, 90° Door Stop Pin, is supplied with models 611G and 650G. To install:

- a Open freezer drawer.
- b. Insert door stop pin up into threaded hole in lower cabinet hinge and tighten (See Figure 2-15).

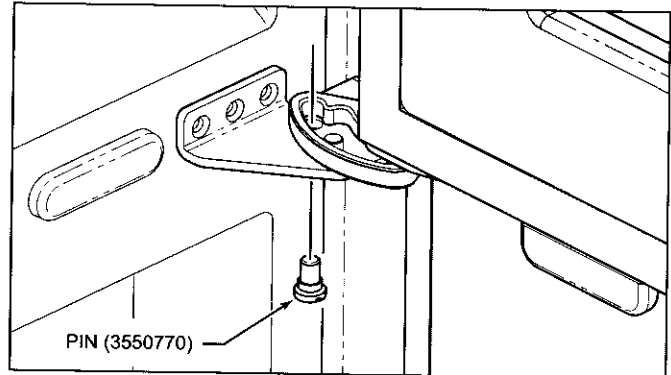


Figure 2-15. 90° Stop Pin (611G-3, 650G-3)

90° Door Stop Cam Installation (632-3, 642-3, 661-3, 685-3, 695-3)

Optional 90° door stop cam (part # DS90) and 105° door stop cam (part # DS105) are available at no charge from Authorized Parts Distributors and Product Distributors. To install:

- a With door closed, place door stop cam up over hinge pin, making sure stub on cam fits into hole in lower cabinet hinge (See Figure 2-14).
- b. Secure door stop cam by pushing E-ring into groove at end of hinge pin (See Figure 2-14).

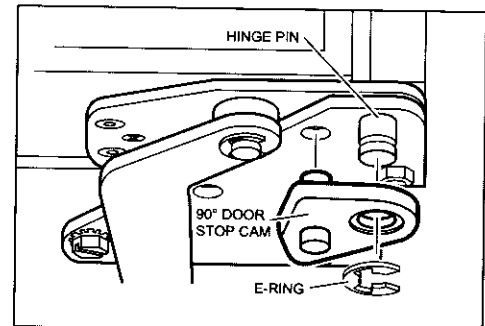


Figure 2-14. 90° Stop Cam

90° Door Stop Cam Installation (601R-3, 601RG-3, 601F-3)

Optional 90° door stop cam (part # DS90) and 105° door stop cam (part # DS105) are available at no charge from Authorized Parts Distributors and Product Distributors. To install:

- a With door closed, extract bolts, stiffener plate and bushing from lower cabinet hinge (See Figure 2-15).
- b. Place door stop cam up over hinge pin, making sure stub on cam fits into hole in lower cabinet hinge (See Figure 2-15).
- c. Reinstall bushing, stiffener plate and bolts onto lower cabinet hinge (See Figure 2-15).

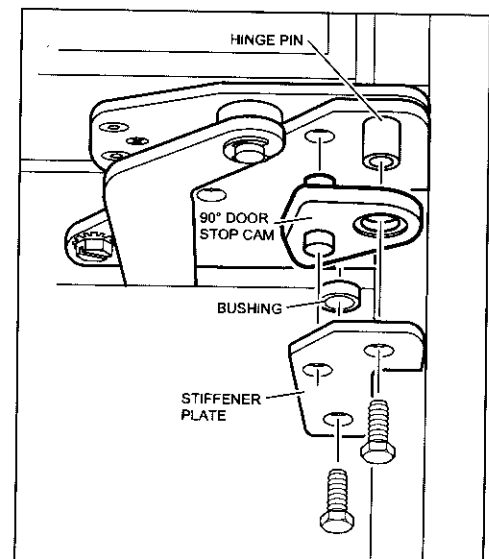


Figure 2-15. 90° Stop Cam