

INTRODUCTION

This 700-3 Series Base Unit Technical Service Manual, Part #3758424, has been compiled to provide the most recent information on safety, installation, set-up, design, operation, features, troubleshooting, wiring diagrams, and repair procedures of the 700-3 Base units. This information will enable the service technician to troubleshoot and diagnose malfunctions, perform necessary repairs, and return a 700-3 Base unit to proper operational status.

The service technician should read the complete instructions contained in this training/service manual before initiating any repairs on a 700-3 Base unit.

IMPORTANT SAFETY INFORMATION

Below are the Product Safety Labels used in this manual. The "Signal Words" used are **WARNING** or **CAUTION**.

When reviewing this manual, please note these different Product Safety Labels placed at the beginning of certain sections of this manual. You must follow the instructions given in the boxes below the Product Safety Labels in order to avoid personal injury and/or product damage.

The sample Product Safety Labels below illustrate the precautions that should be taken when the signal word is observed.

▲ WARNING

INDICATES THAT HAZARDOUS OR UNSAFE PRACTICES COULD RESULT IN SEVERE PERSONAL INJURY OR DEATH

▲ CAUTION

Indicates that hazardous or unsafe practices could result in minor personal injury or product and/or property damage

In addition, please pay attention to the signal word "**NOTE**", which highlights information that is especially important for the topic being covered.

This manual is designed to be used by Authorized Service Personnel only. Sub-Zero Freezer Co., Inc. assumes no responsibility for any repairs made on Sub-Zero refrigeration units by anyone other than Authorized Service Technicians.

The information and images contained in this manual are the copyright property of Sub-Zero Freezer Company, Inc. Neither this manual nor any information or images contained herein may be copied or used in whole or in part without the express written consent of Sub-Zero Freezer Company, Inc. © all rights reserved.

TECHNICAL ASSISTANCE

If you should have any questions regarding a 700-3 Base Unit and/or this manual, please contact:

*Sub-Zero Freezer Company, Inc.
ATTN: Service Department
P.O. Box 44988
Madison, WI 53744 - 4988*

*Customer Service & Parts / Warranty Claims
Phone #: (800) 222 - 7820*

*Technical Assistance
Phone #: (800) 919 - 8324*

*Customer Service & Technical Assistance
Facsimile #: (608) 441 - 5887*

*Parts / Warranty Claims
Facsimile #: (608) 441 - 5886*

*Service Department E-Mail Address:
customerservice@subzero.com*

*Office Hours:
7:00 AM to 7:00 PM Central Time
Monday through Friday*

	Page #		Page #
Section 7 - Component Access and Removal	7-1	Section 8 - Troubleshooting Guides	8-1
Section Table of Contents	7-2	Troubleshooting Guides	8-2
WARNINGS & CAUTIONS	7-2	How to Use the Error Code Troubleshooting Guide	8-2
Exterior Cosmetic and Mechanical Components	7-3	Error Code Table	8-2
Kickplate/Grille (All Base Units)	7-3	Error Code Troubleshooting Guide	8-3
Drawer Assembly (All Base Units)	7-3	How to Use the General Troubleshooting Guide	8-6
Top Drawer Assembly.....	7-3	Temperature Problem Instructions	8-6
Bottom Drawer Assembly.....	7-3	Thermistor Location Code Tables	8-6
Side Trim Molding Strip (All Base Units)	7-4	General Troubleshooting Table of Contents	8-7
Drawer Gasket (All Base Units)	7-4	General Troubleshooting Guide	8-8
Interior Cosmetic, Mechanical Components	7-5	Sealed System Troubleshooting / Diagnostic Tables	8-16
Control Panel Assembly (All Base Units)	7-5	Normal Operating Pressures Table	8-16
Display Wire Harness (All Base Units)	7-5	Pressure Indications Table	8-16
Lighting Bulb & Socket (All Base Units)	7-5	Temperature/Pressure Table	8-17
Mullion Divider (700BC/I-3)	7-6	Membrane Switch / Ribbon Cable Test	8-18
Wire Tray (700BR-3, 700BF/I-3)	7-6		
Drawer Closer Assembly (All Base Units)	7-6	Section 9 - Technical Data Tables	9-1
Drawer Slide Assembly (All Base Units)	7-7	Model 700BC/I-3	9-2
Refrigerator Fan Baffle & Shroud (700BC/I-3)	7-7	Model 700BR-3	9-3
Refrigerator Light Switch (700BC/I-3)	7-7	Model 700BF/I-3	9-4
Refrigerator Fan Baffle & Cold Plate(700BR-3)	7-8		
Refrigerator Fan Motor (700BC/I-3, 700BR-3))	7-8	Section 10 - Wiring Diagrams	10-1
Refrigerator Compartment Thermistor (700BC/I-3)	7-8	700BC/I-3 Wiring Diagram (PTS #2300444)	10-2
Refrigerator Compartment Thermistor (700BR-3)	7-9	700BC/I-3 Wiring Schematic (PTS #2300444)	10-3
Refrigerator Light Switch (700BR-3)	7-9	700BC/I-3 Wiring Diagram (SWS #2300444)	10-4
Refrigerator Evaporator Thermistor (700BR-3)	7-9	700BC/I-3 Wiring Schematic (SWS #2300444)	10-5
Icemaker Assembly (700BCI-3, 700BFI-3)	7-10	700BR-3 Wiring Diagram	10-6
Sump Cover Assembly (700BCI-3, 700BFI-3)	7-10	700BR-3 Wiring Schematic.....	10-7
Lower Air Duct (700BC/I-3)	7-11	700BF/I-3 Wiring Diagram	10-8
Air Baffle Control Assembly (700BC/I-3)	7-11	700BF/I-3 Wiring Schematic.....	10-9
Freezer Compartment Thermistor (700BC/I-3)	7-11		
Freezer Light Switch (700BC/I-3)	7-11		
Freezer Light Switch / Icemaker Switch (700BF/I-3) ..	7-12		
Freezer Compartment Thermistor (700BF/I-3)	7-12		
Freezer Evap. Thermistor (700BC/I-3,700BF/I-3)	7-13		
Defrost Terminator (700BC/I-3, 700BF/I-3)	7-13		
Defrost Heater (700BC/I-3, 700BF/I-3)	7-13		
Control Board Assembly (700BC/I-3, 700BF/I-3)	7-14		
Evaporator Fan Assembly (700BC/I-3, 700BF/I-3)	7-14		
Compressor Area Mechanical Components	7-15		
Main Control Board (700BR-3)	7-15		
Icemaker Water Valve Assy			
(700BCI-3, 700BFI-3, Prior to Serial #2421189)	7-16		
Icemaker Water Valve Assy			
(700BCI-3, 700BFI-3, Starting w/Serial #2421189)	7-17		
Condenser Fan Assembly (All Base Units)	7-18		
Drain Tube Heater (700BC/I-3, 700BF/I-3)	7-19		
Sealed System Components	7-20		
High-Side Filter-Drier (All Base Units)	7-20		
Compressor (All Base Units)	7-21		
Condenser (All Base Units)	7-22		
Evap./Heat Exchanger Assy (700BC/I-3, 700BF/I-3) ..	7-23		
Evaporator (700BR-3)	7-24		



WARRANTY INFORMATION

This page summarizes the 2, 5 & 12 Year Warranty supplied with every unit, as well as the two special warranties: The Non-Residential Warranty which applies to units installed in non-residential applications, and the Display/Model Home Warranty which applies to distributor or dealer's display units and units in model homes, sold three years after date of manufacture. The last entries on this page are details and notes about the warranties.

TWO, FIVE & TWELVE YEAR Warranty Summary

- Two year TOTAL PRODUCT warranty, *parts and labor.
• Five Year SEALED SYSTEM warranty, **parts and labor.
• Sixth through Twelfth year LIMITED SEALED SYSTEM warranty, sealed system **parts only.

ONE & FIVE YEAR Non-Residential Warranty Summary (Example: Office, Yacht, etc.)

- One Year TOTAL PRODUCT warranty, *parts and labor.
• Five year LIMITED SEALED SYSTEM warranty, sealed system **parts only.

ONE & FIVE YEAR Display/Model Home Warranty Summary (Display units sold three years after date of manufacture)

- One Year TOTAL PRODUCT warranty, *parts and labor.
• Five year LIMITED SEALED SYSTEM warranty, sealed system **parts only.

Warranty Details:

- * Total Product Parts includes, but is not limited to the following: Electronic Control System Components, Fan & Light Switches, Fan Motors & Blades, Defrost & Drain Heaters, Defrost Terminators, Drain Pans, Drain Tubes, Wiring, Light sockets & bulbs, Icemakers, Water Valves, Door hinges, Door closers & Cams, Compressor Electricals, etc. . .
• ** Sealed System Parts include the following: Compressors, Condensers, Evaporators, Filter-Driers, Heat-exchangers, All Tubing That Carries the Freon.
NOTE: Condenser Fan Motors, Freon, Solder and compressor electricals are NOT considered sealed system parts.

Warranty Notes:

- All warranties begin at the time of the unit's initial installation.
• All Warranty and Service information collected by Sub-Zero is arranged and stored under the unit serial number. This information is now also stored under the customer's last name.
NOTE: Sub-Zero still requests that you have the model and serial number available whenever contacting the factory or parts distributor.
• The serial number tag is located on the left side wall of the upper drawer compartment. (See Figures 1-1, for serial tag layout)

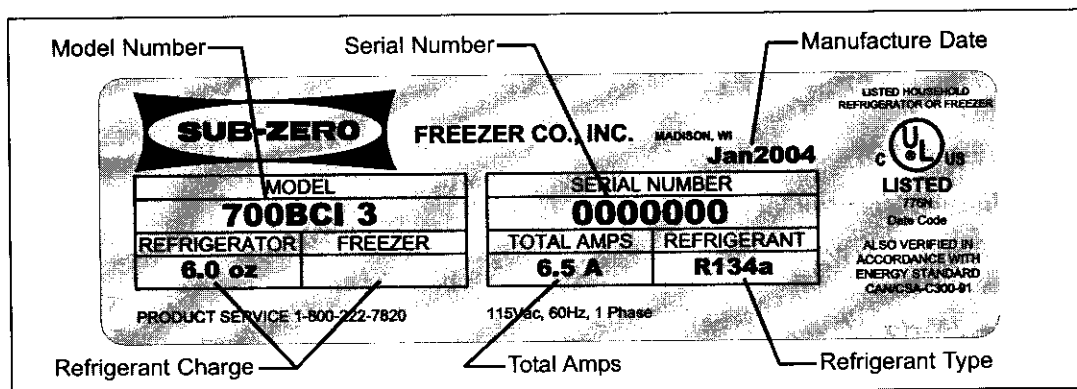


Figure 1-1. Serial Tag Layout (The serial number tag is located on the left side wall of the upper drawer compartment.)

MODEL DESCRIPTIONS

This page briefly describes the Models 700BC-3, 700BCI-3, 700BF-3, 700BFI-3 and 700BR-3.

Model 700BC-3 (Figure 1-2)

700 Series, Base Combination, 3rd Design Build

(Combination Refrigerator / Freezer with Two Temperature Zones - Upper Refrigerator over Freezer)

(Overall Dimensions = 34" H x 27" W x 24" D)

Model 700BCI-3 (Figure 1-7)

700 Series, Base Combination, Icemaker Incl., 3rd Design Build

(Combination Refrigerator / Freezer with Two Temperature Zones - Upper Refrigerator over Freezer)

(Overall Dimensions = 34" H x 27" W x 24" D)

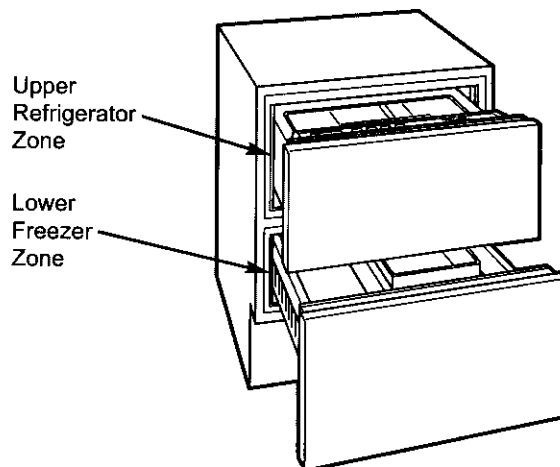


Figure 1-2. Model 700BC-3 & 700BCI-3

Model 700BR-3 (Figure 1-3)

700 Series, Base Refrigerator, 3rd Design Build

(Refrigerator with One Temperature Zone)

(Overall Dimensions = 34" H x 27" W x 24" D)

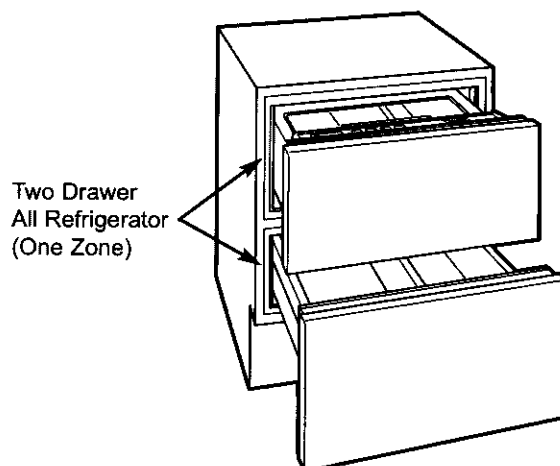


Figure 1-3. Model 700BR-3

Model 700BF-3 (Figure 1-4)

700 Series, Base Freezer, 3rd Design Build

(Freezer with One Temperature Zone)

(Overall Dimensions = 34" H x 27" W x 24" D)

Model 700BFI-3 (Figure 1-3)

700 Series, Base Freezer, Icemaker Incl., 3rd Design Build

(Freezer with One Temperature Zone)

(Overall Dimensions = 34" H x 27" W x 24" D)

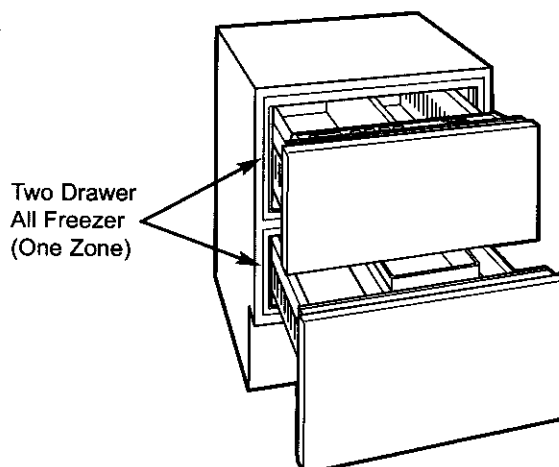


Figure 1-4. Model 700BF-3 & 700BFI-3