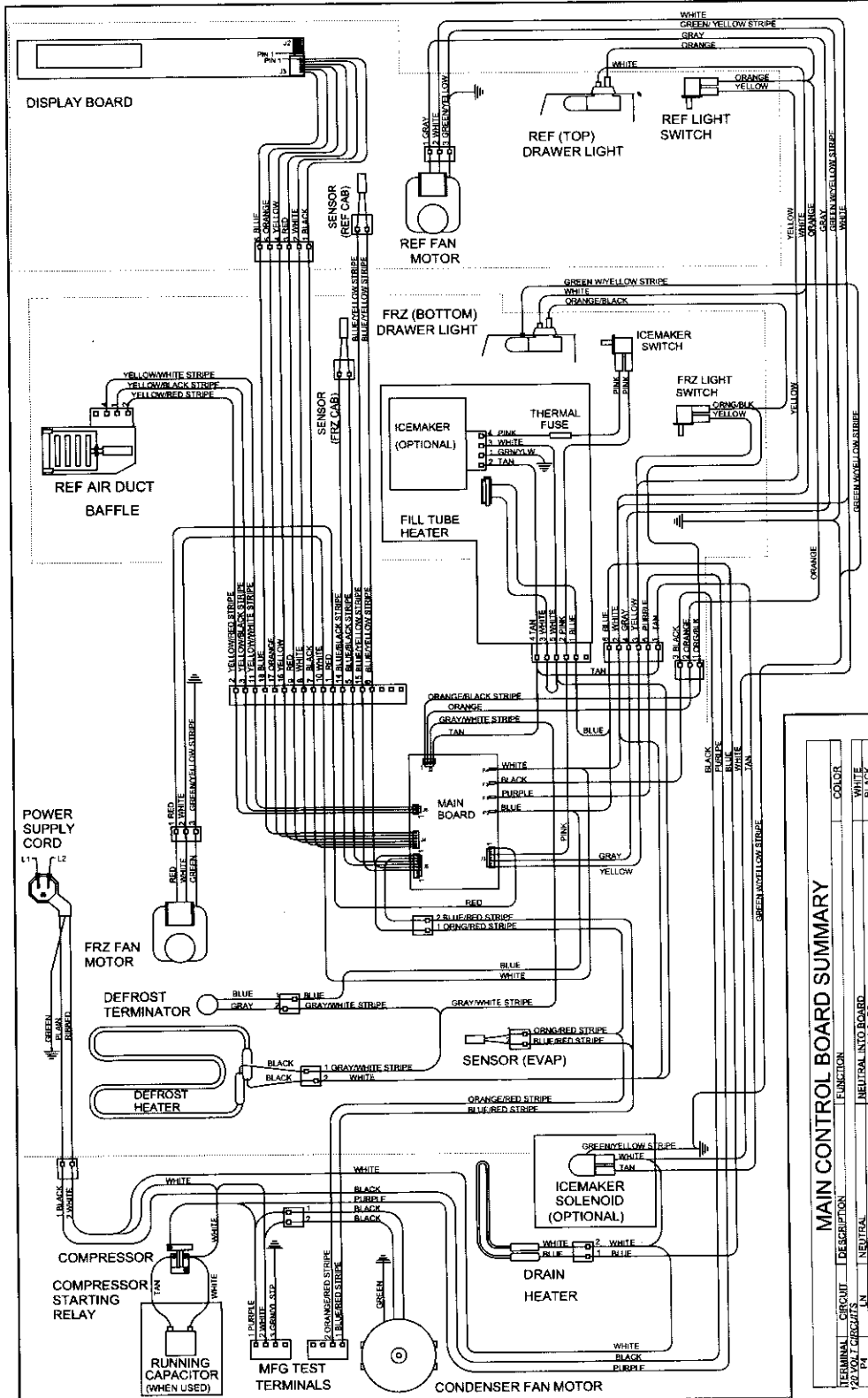


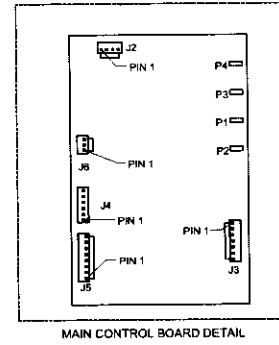


WIRING DIAGRAM MODEL 700 BC/BCI-3 (Prior to Serial #2300444)



WARNING

This wiring information is provided for use by qualified service personnel only.
 -Disconnect appliance from electrical supply before beginning service.
 -Be sure all grounding devices are connected when service is complete.
 -Failure to observe the above warnings may result in severe electrical shock.



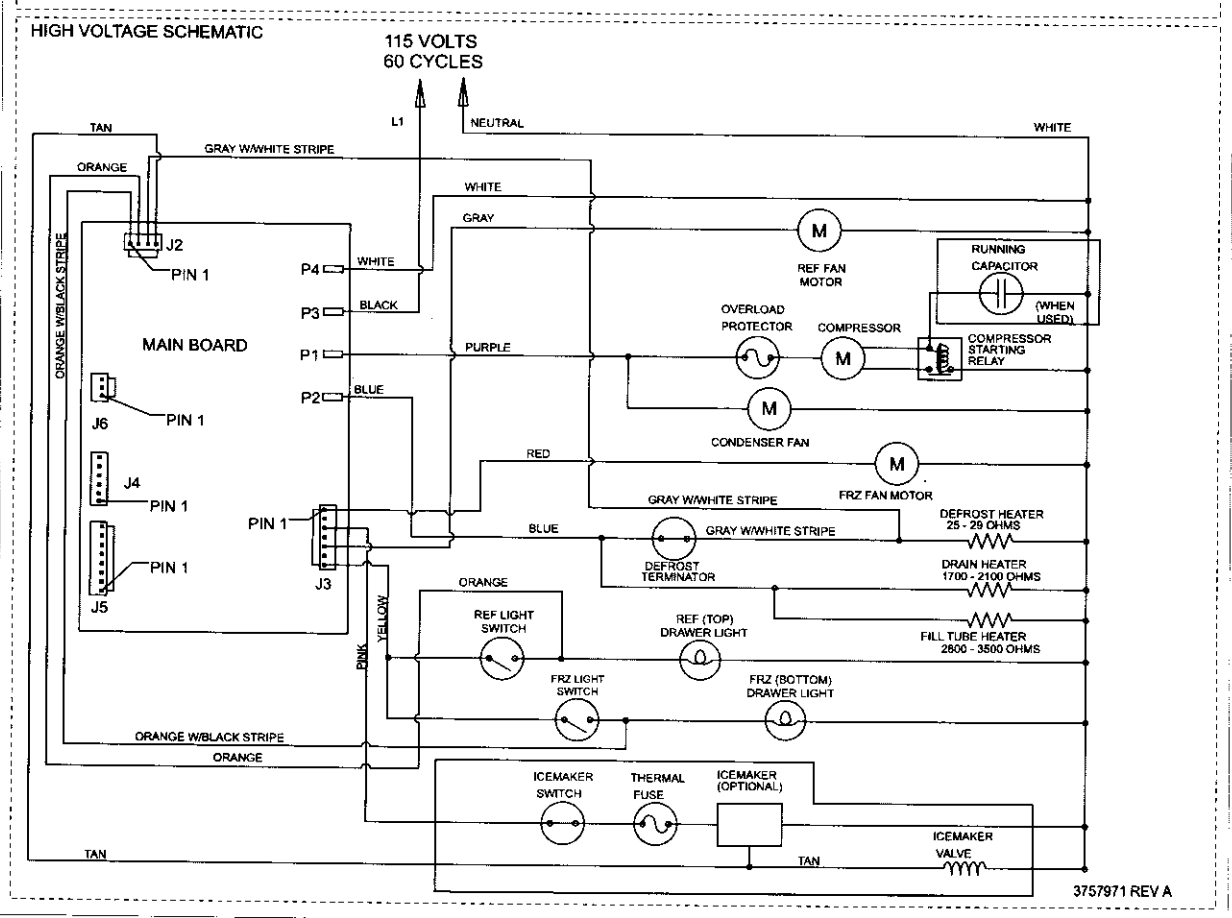
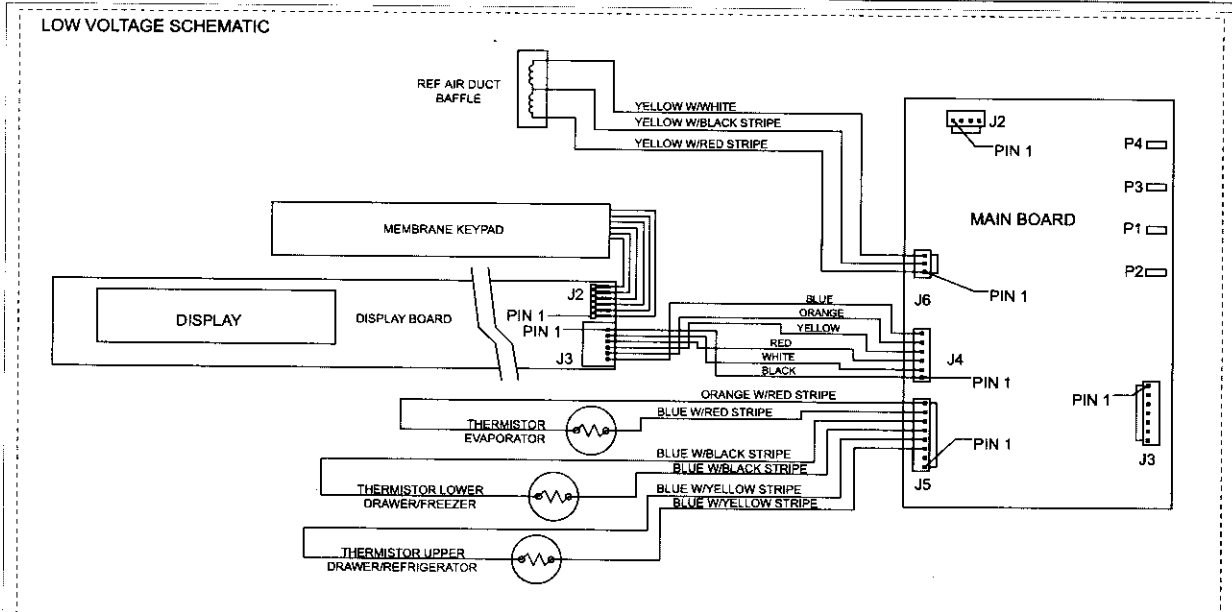
MAIN CONTROL BOARD SUMMARY

TERMINAL	CIRCUIT	DESCRIPTION	FUNCTION	COLOR
120	VOLT	NEUTRAL INTO BOARD		WHITE
121		POWER IN		BLACK
P1		COMPRESSOR AND CONDENSER FAN		BLUE
P2		DEFROST HEATER		RED
P3		DEFROST MOTOR		PINK
P4		DEFROST MOTOR		PINK
P5		DEFROST MOTOR		PINK
P6		DEFROST MOTOR		PINK
P7		DEFROST MOTOR		PINK
P8		DEFROST MOTOR		PINK
P9		DEFROST MOTOR		PINK
P10		DEFROST MOTOR		PINK
P11		DEFROST MOTOR		PINK
P12		DEFROST MOTOR		PINK
P13		DEFROST MOTOR		PINK
P14		DEFROST MOTOR		PINK
P15		DEFROST MOTOR		PINK
P16		DEFROST MOTOR		PINK
P17		DEFROST MOTOR		PINK
P18		DEFROST MOTOR		PINK
P19		DEFROST MOTOR		PINK
P20		DEFROST MOTOR		PINK
P21		DEFROST MOTOR		PINK
P22		DEFROST MOTOR		PINK
P23		DEFROST MOTOR		PINK
P24		DEFROST MOTOR		PINK
P25		DEFROST MOTOR		PINK
P26		DEFROST MOTOR		PINK
P27		DEFROST MOTOR		PINK
P28		DEFROST MOTOR		PINK
P29		DEFROST MOTOR		PINK
P30		DEFROST MOTOR		PINK
P31		DEFROST MOTOR		PINK
P32		DEFROST MOTOR		PINK
P33		DEFROST MOTOR		PINK
P34		DEFROST MOTOR		PINK
P35		DEFROST MOTOR		PINK
P36		DEFROST MOTOR		PINK
P37		DEFROST MOTOR		PINK
P38		DEFROST MOTOR		PINK
P39		DEFROST MOTOR		PINK
P40		DEFROST MOTOR		PINK
P41		DEFROST MOTOR		PINK
P42		DEFROST MOTOR		PINK
P43		DEFROST MOTOR		PINK
P44		DEFROST MOTOR		PINK
P45		DEFROST MOTOR		PINK
P46		DEFROST MOTOR		PINK
P47		DEFROST MOTOR		PINK
P48		DEFROST MOTOR		PINK
P49		DEFROST MOTOR		PINK
P50		DEFROST MOTOR		PINK
P51		DEFROST MOTOR		PINK
P52		DEFROST MOTOR		PINK
P53		DEFROST MOTOR		PINK
P54		DEFROST MOTOR		PINK
P55		DEFROST MOTOR		PINK
P56		DEFROST MOTOR		PINK
P57		DEFROST MOTOR		PINK
P58		DEFROST MOTOR		PINK
P59		DEFROST MOTOR		PINK
P60		DEFROST MOTOR		PINK
P61		DEFROST MOTOR		PINK
P62		DEFROST MOTOR		PINK
P63		DEFROST MOTOR		PINK
P64		DEFROST MOTOR		PINK
P65		DEFROST MOTOR		PINK
P66		DEFROST MOTOR		PINK
P67		DEFROST MOTOR		PINK
P68		DEFROST MOTOR		PINK
P69		DEFROST MOTOR		PINK
P70		DEFROST MOTOR		PINK
P71		DEFROST MOTOR		PINK
P72		DEFROST MOTOR		PINK
P73		DEFROST MOTOR		PINK
P74		DEFROST MOTOR		PINK
P75		DEFROST MOTOR		PINK
P76		DEFROST MOTOR		PINK
P77		DEFROST MOTOR		PINK
P78		DEFROST MOTOR		PINK
P79		DEFROST MOTOR		PINK
P80		DEFROST MOTOR		PINK
P81		DEFROST MOTOR		PINK
P82		DEFROST MOTOR		PINK
P83		DEFROST MOTOR		PINK
P84		DEFROST MOTOR		PINK
P85		DEFROST MOTOR		PINK
P86		DEFROST MOTOR		PINK
P87		DEFROST MOTOR		PINK
P88		DEFROST MOTOR		PINK
P89		DEFROST MOTOR		PINK
P90		DEFROST MOTOR		PINK
P91		DEFROST MOTOR		PINK
P92		DEFROST MOTOR		PINK
P93		DEFROST MOTOR		PINK
P94		DEFROST MOTOR		PINK
P95		DEFROST MOTOR		PINK
P96		DEFROST MOTOR		PINK
P97		DEFROST MOTOR		PINK
P98		DEFROST MOTOR		PINK
P99		DEFROST MOTOR		PINK
P100		DEFROST MOTOR		PINK

WIRING SCHEMATIC MODEL 700 BC/BCI-3 (Prior to Serial #2300444)

WARNING

- This wiring information is provided for use by qualified service personnel only.
- Disconnect appliance from electrical supply before beginning service.
- Be sure all grounding devices are connected when service is complete.
- Failure to observe the above warnings may result in severe electrical shock.



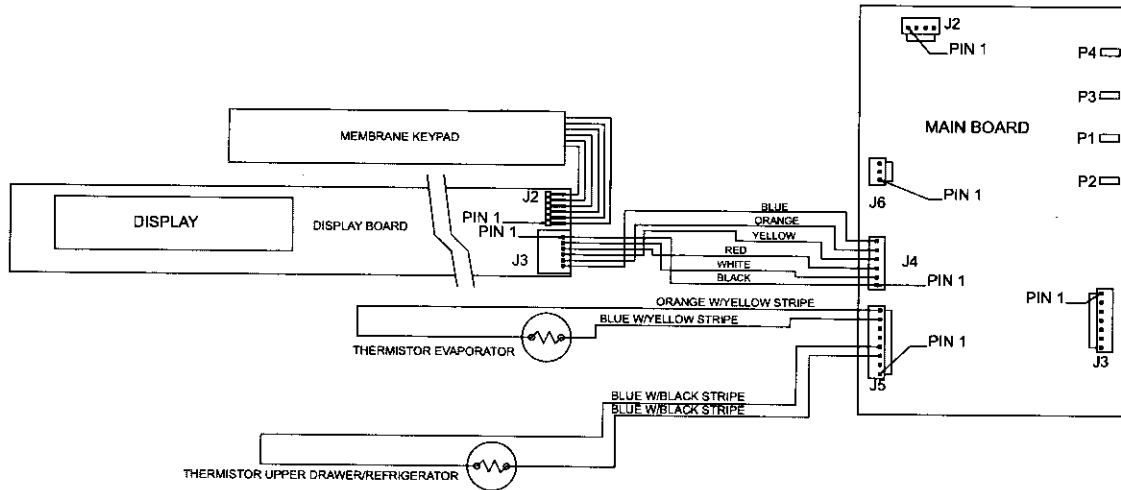
3757971 REV A

WIRING SCHEMATIC MODEL 700BR-3

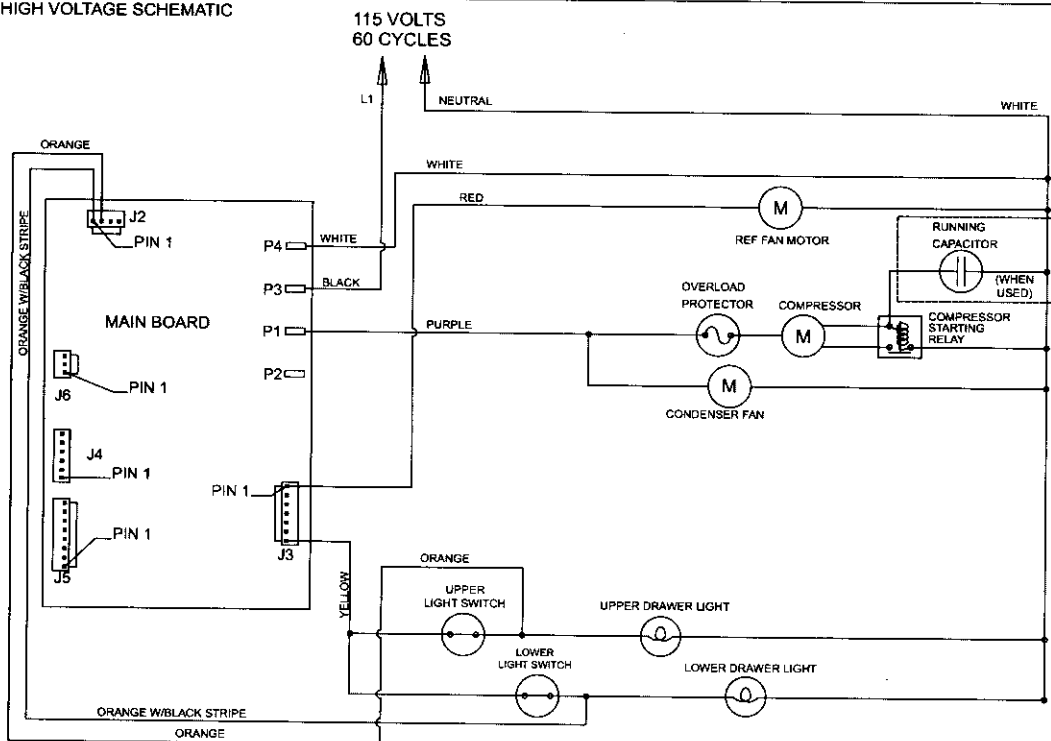
WARNING

-This wiring information is provided for use by qualified service personnel only.
 -Disconnect appliance from electrical supply before beginning service.
 -Be sure all grounding devices are connected when service is complete.
 -Failure to observe the above warnings may result in severe electrical shock.

LOW VOLTAGE SCHEMATIC



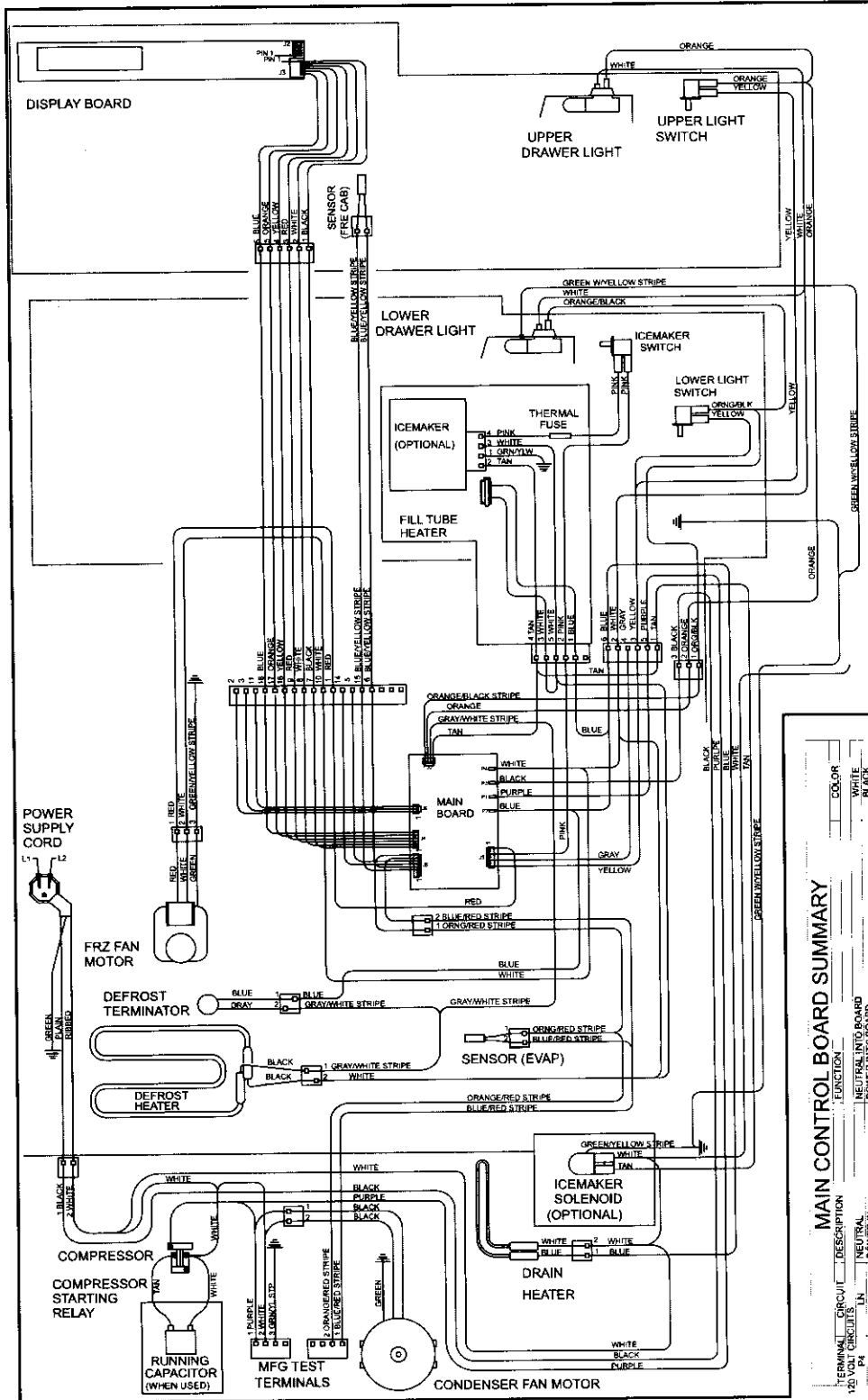
HIGH VOLTAGE SCHEMATIC



P/N 3758575 REV A

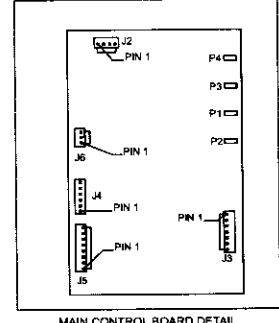


WIRING DIAGRAM MODEL 700 BF/BFI-3



WARNING

This wiring information is provided for use by qualified service personnel only.
 -Disconnect appliance from electrical supply before beginning service.
 -Be sure all grounding devices are connected when service is complete.
 -Failure to observe the above warnings may result in severe electrical shock.



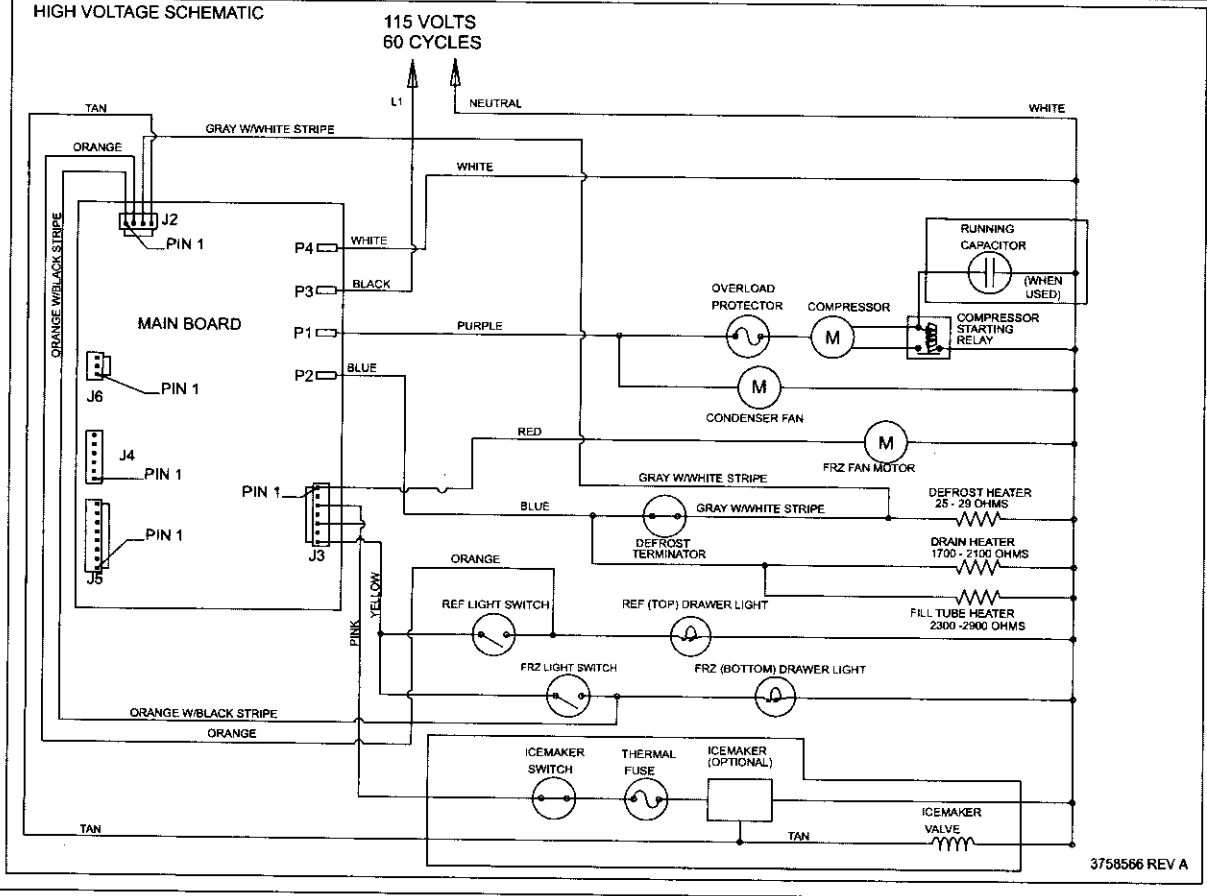
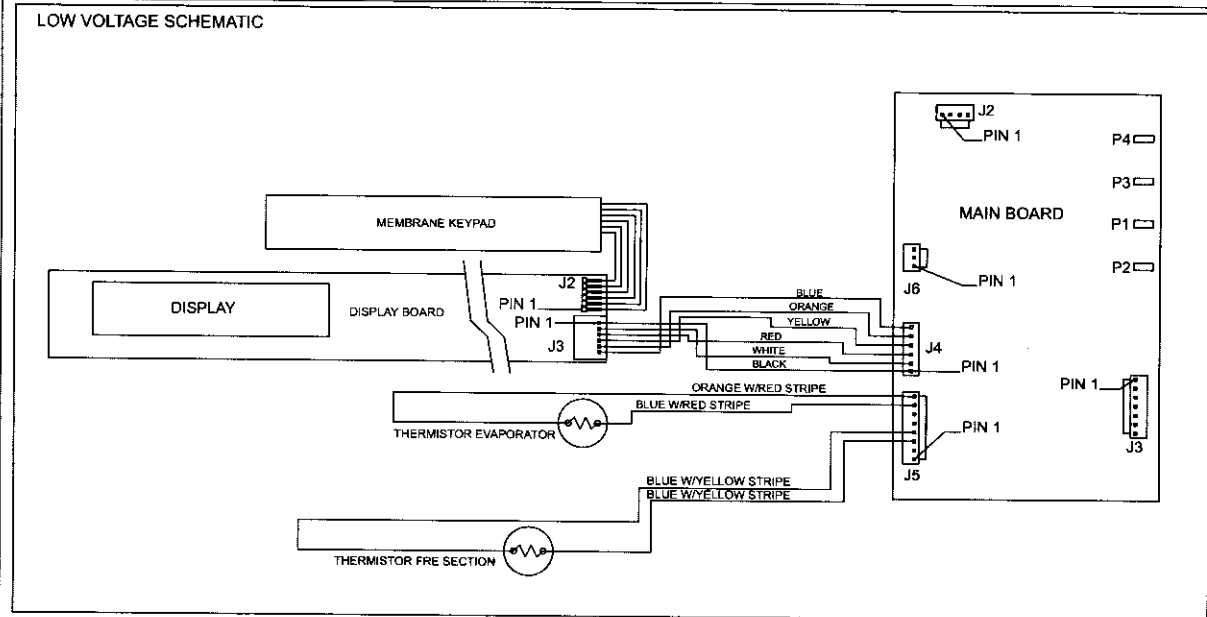
MAIN CONTROL BOARD SUMMARY

TERMINAL	CIRCUIT	DESCRIPTION	FUNCTION	COLOR
120	120VOLT CIRCUITS			
P1	1	NEUTRAL INTO BOARD		WHITE
P2	2	POWER INTO BOARD		BLACK
P3	3	POWER TO COMPRESSOR AND CONDENSER FAN		PURPLE
P4	4	POWER TO DEFROST HEATER, DEFROST FAN AND FILL TUBE HEATER		RED
P5	5	DEFROST FAN		RED
P6	6	DEFROST HEATER		RED
P7	7	DEFROST HEATER		RED
P8	8	DEFROST HEATER		RED
P9	9	DEFROST HEATER		RED
P10	10	DEFROST HEATER		RED
P11	11	DEFROST HEATER		RED
P12	12	DEFROST HEATER		RED
P13	13	DEFROST HEATER		RED
P14	14	DEFROST HEATER		RED
P15	15	DEFROST HEATER		RED
P16	16	DEFROST HEATER		RED
P17	17	DEFROST HEATER		RED
P18	18	DEFROST HEATER		RED
P19	19	DEFROST HEATER		RED
P20	20	DEFROST HEATER		RED
P21	21	DEFROST HEATER		RED
P22	22	DEFROST HEATER		RED
P23	23	DEFROST HEATER		RED
P24	24	DEFROST HEATER		RED
P25	25	DEFROST HEATER		RED
P26	26	DEFROST HEATER		RED
P27	27	DEFROST HEATER		RED
P28	28	DEFROST HEATER		RED
P29	29	DEFROST HEATER		RED
P30	30	DEFROST HEATER		RED
P31	31	DEFROST HEATER		RED
P32	32	DEFROST HEATER		RED
P33	33	DEFROST HEATER		RED
P34	34	DEFROST HEATER		RED
P35	35	DEFROST HEATER		RED
P36	36	DEFROST HEATER		RED
P37	37	DEFROST HEATER		RED
P38	38	DEFROST HEATER		RED
P39	39	DEFROST HEATER		RED
P40	40	DEFROST HEATER		RED
P41	41	DEFROST HEATER		RED
P42	42	DEFROST HEATER		RED
P43	43	DEFROST HEATER		RED
P44	44	DEFROST HEATER		RED
P45	45	DEFROST HEATER		RED
P46	46	DEFROST HEATER		RED
P47	47	DEFROST HEATER		RED
P48	48	DEFROST HEATER		RED
P49	49	DEFROST HEATER		RED
P50	50	DEFROST HEATER		RED
P51	51	DEFROST HEATER		RED
P52	52	DEFROST HEATER		RED
P53	53	DEFROST HEATER		RED
P54	54	DEFROST HEATER		RED
P55	55	DEFROST HEATER		RED
P56	56	DEFROST HEATER		RED
P57	57	DEFROST HEATER		RED
P58	58	DEFROST HEATER		RED
P59	59	DEFROST HEATER		RED
P60	60	DEFROST HEATER		RED
P61	61	DEFROST HEATER		RED
P62	62	DEFROST HEATER		RED
P63	63	DEFROST HEATER		RED
P64	64	DEFROST HEATER		RED
P65	65	DEFROST HEATER		RED
P66	66	DEFROST HEATER		RED
P67	67	DEFROST HEATER		RED
P68	68	DEFROST HEATER		RED
P69	69	DEFROST HEATER		RED
P70	70	DEFROST HEATER		RED
P71	71	DEFROST HEATER		RED
P72	72	DEFROST HEATER		RED
P73	73	DEFROST HEATER		RED
P74	74	DEFROST HEATER		RED
P75	75	DEFROST HEATER		RED
P76	76	DEFROST HEATER		RED
P77	77	DEFROST HEATER		RED
P78	78	DEFROST HEATER		RED
P79	79	DEFROST HEATER		RED
P80	80	DEFROST HEATER		RED
P81	81	DEFROST HEATER		RED
P82	82	DEFROST HEATER		RED
P83	83	DEFROST HEATER		RED
P84	84	DEFROST HEATER		RED
P85	85	DEFROST HEATER		RED
P86	86	DEFROST HEATER		RED
P87	87	DEFROST HEATER		RED
P88	88	DEFROST HEATER		RED
P89	89	DEFROST HEATER		RED
P90	90	DEFROST HEATER		RED
P91	91	DEFROST HEATER		RED
P92	92	DEFROST HEATER		RED
P93	93	DEFROST HEATER		RED
P94	94	DEFROST HEATER		RED
P95	95	DEFROST HEATER		RED
P96	96	DEFROST HEATER		RED
P97	97	DEFROST HEATER		RED
P98	98	DEFROST HEATER		RED
P99	99	DEFROST HEATER		RED
P100	100	DEFROST HEATER		RED

WIRING SCHEMATIC MODEL 700 BF/BFI-3

WARNING

-This wiring information is provided for use by qualified service personnel only.
 -Disconnect appliance from electrical supply before beginning service.
 -Be sure all grounding devices are connected when service is complete.
 -Failure to observe the above warnings may result in severe electrical shock.



3758566 REV A