

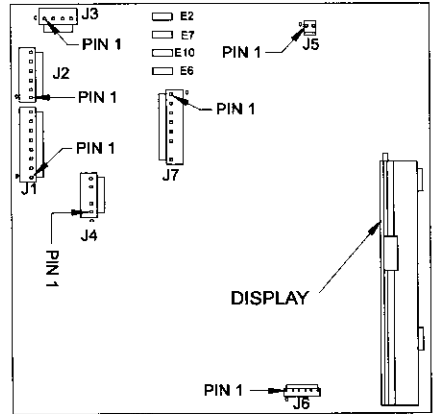
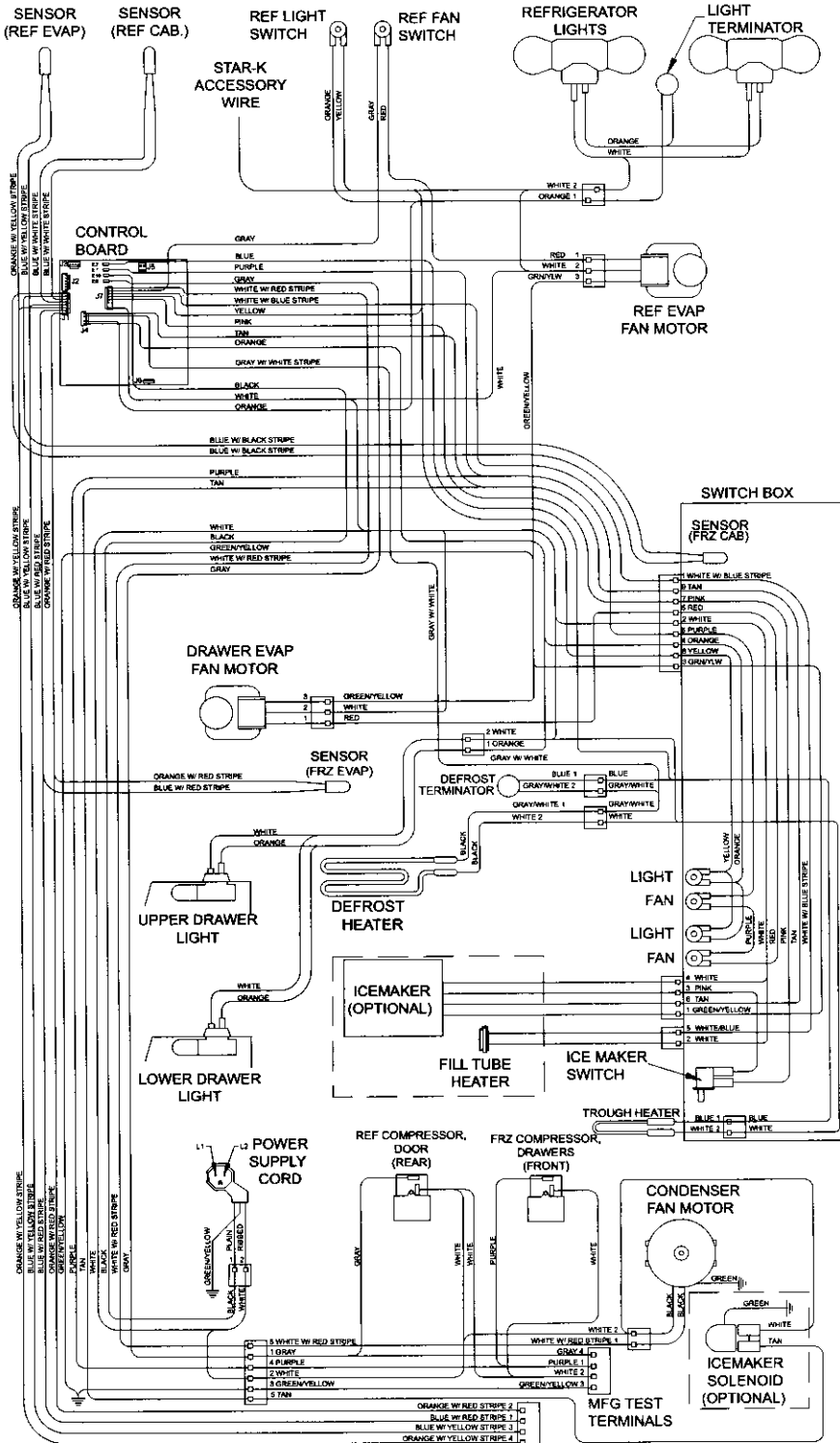


PART NUMBER 3758574 REV B

WIRING DIAGRAM MODEL: 700TC-3

⚠ WARNING

-This wiring information is provided for use by qualified service personnel only.
 -Disconnect appliance from electrical supply before beginning service.
 -Be sure all grounding devices are connected when service is complete.
 -Failure to observe the above warnings may result in severe electrical shock.



CONTROL BOARD DETAIL

CONTROL BOARD SUMMARY	
CIRCUIT	DESCRIPTION
	120 VOLT CIRCUITS
E2	DEFHTR
E0	DEFHTR
E10	DEFHTR
E6	DEFHTR
E0	POWER INTO BOARD (COMPRESSOR)
E0	POWER INTO BOARD (DOOR)
E0	POWER INTO BOARD (ICE MAKER)
J7-1	POWER CONDENSER FAN
J7-2	FAN SW
J7-3	ICE MAKER ACC (FILL TUBE)
J7-4	ICE MAKER ACC (HEATER AND ACCESSORIES)
J7-5	POWER LIGHTS
J7-6	POWER ICE MAKER
J7-7	ICE MAKER
J7-8	ICE MAKER (GROUND PIN)
J7-9	NEUTRAL INTO BOARD
J4-1	DEFHTR LIGHTS SENSE
J4-2	DOOR LIGHTS SENSE
J4-3	DOOR LIGHTS SENSE
J4-4	DOOR LIGHTS SENSE
J4-5	DEF SENSOR
J4-6	ICE MAKER VALVE SENSE
J4-7	ICE MAKER VALVE SENSE
J4-8	ICE MAKER VALVE SENSE
J4-9	ICE MAKER VALVE SENSE
J1-1	EVAP FRZ
J1-2	EVAP FRZ
J1-3	EVAP FRZ
J1-4	EVAP FRZ
J1-5	EVAP FRZ
J1-6	REF COMPARTMENT
J1-7	REF COMPARTMENT
J1-8	REF COMPARTMENT
J1-9	REF COMPARTMENT

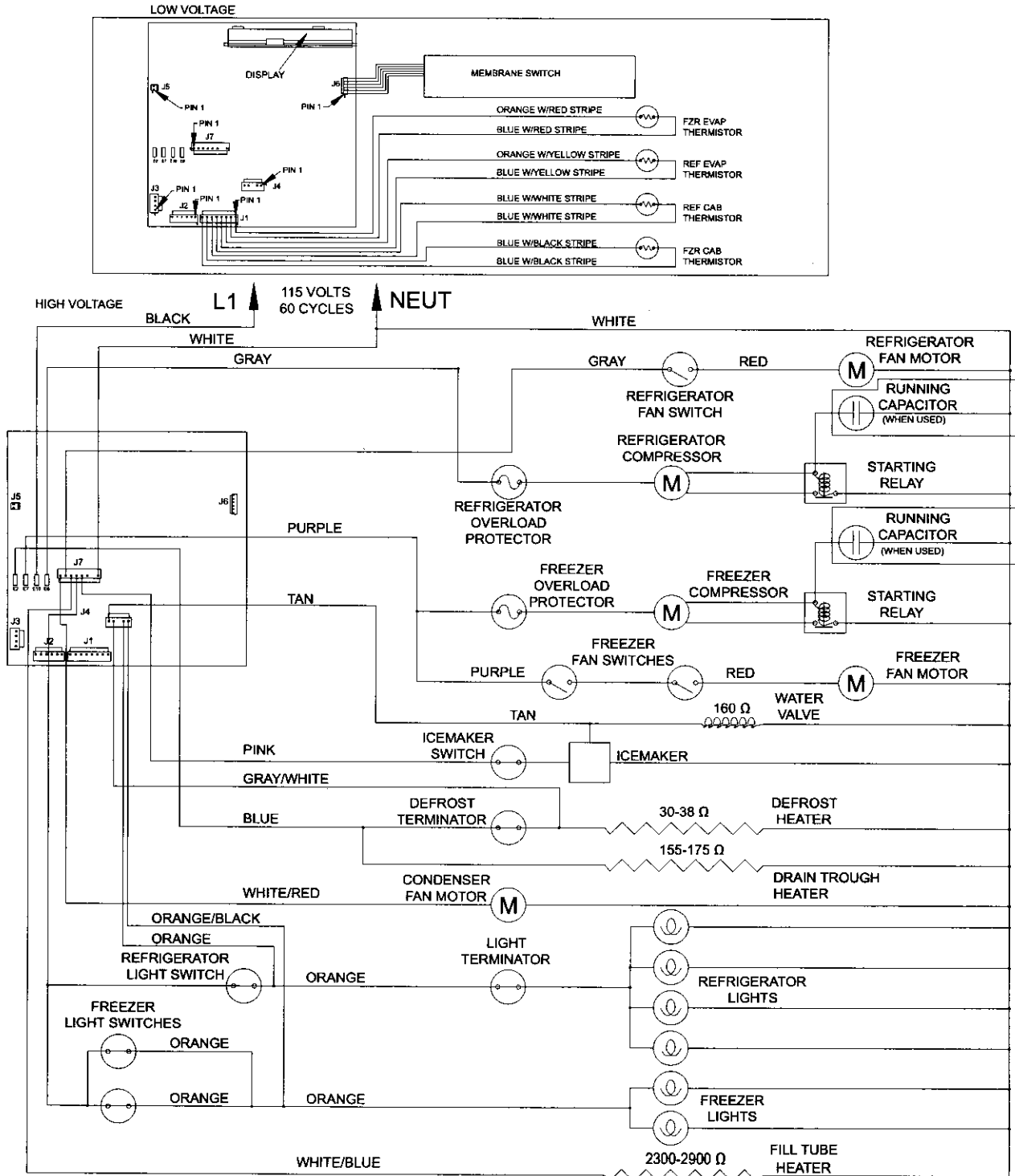


PART NUMBER 3758574 REV B

WIRING SCHEMATIC MODEL: 700TC-3

WARNING

- This wiring information is provided for use by qualified service personnel only.
- Disconnect appliance from electrical supply before beginning service.
- Be sure all grounding devices are connected when service is complete.
- Failure to observe the above warnings may result in severe electrical shock.

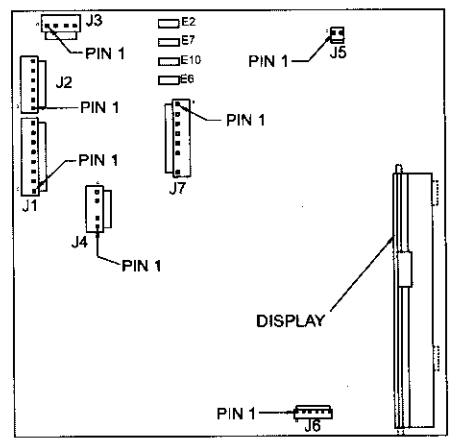
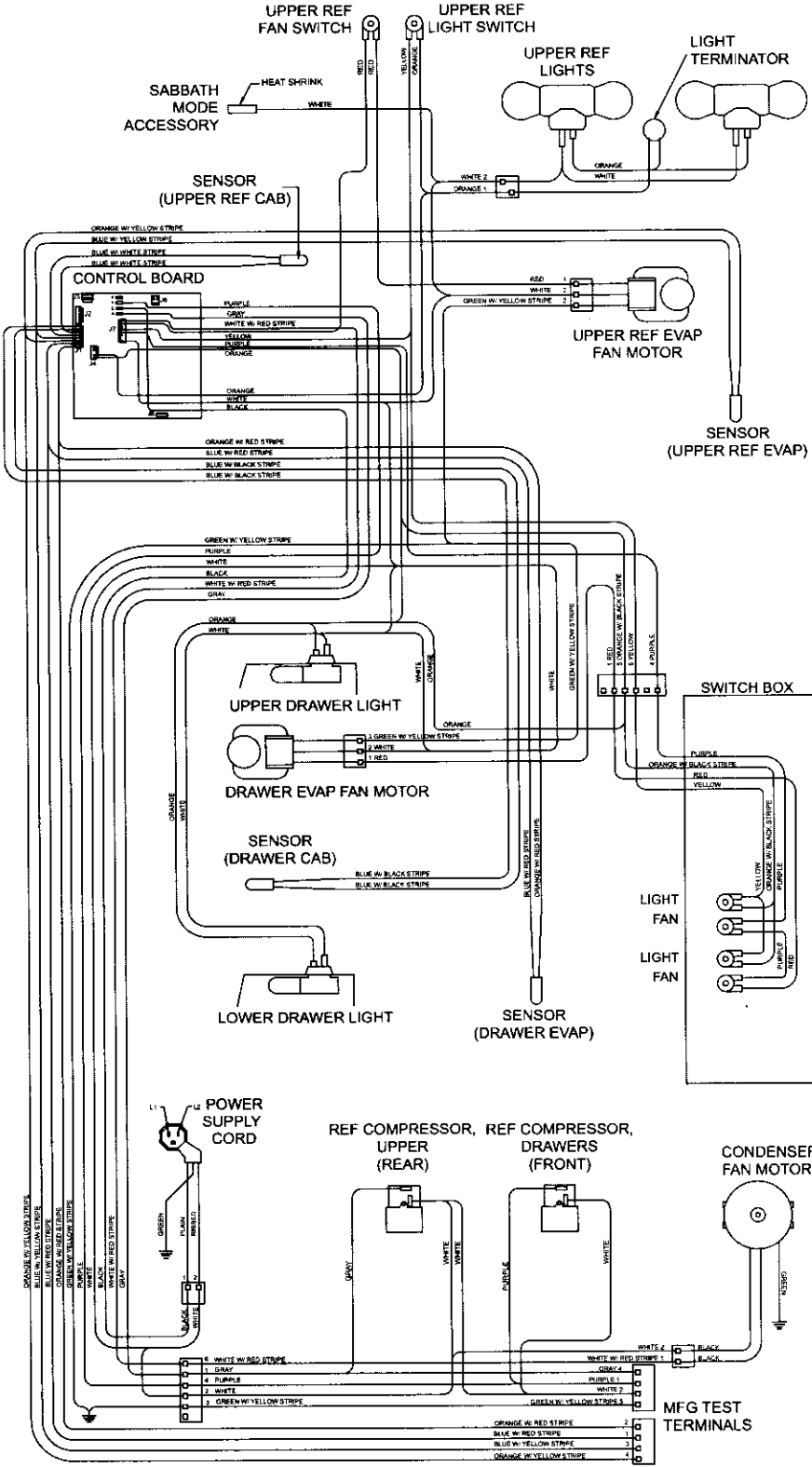




WIRING DIAGRAM MODEL: 700TR-3

WARNING

- This wiring information is provided for use by qualified service personnel only.
- Disconnect appliance from electrical supply before beginning service.
- Be sure all grounding devices are connected when service is complete.
- Failure to observe the above warnings may result in severe electrical shock.



CONTROL BOARD SUMMARY

CIRCUIT	DESCRIPTION	FUNCTION	COLOR
E2	120 VOLT CIRCUITS		PURPLE
E7	NOT USED		BLACK
L1	DRAWER REF COMPRESSOR	POWERS REF COMP FOR 2 DRAWER SECTION	GRAY
RCOMP	POWER INTO BOARD	POWERS UPPER REF COMP	WHITERED
C FAN	UPPER REF COMPRESSOR	POWERS CONDENSER FAN	RED
E FAN	CONDENSER FAN	POWERS REF EVAP FAN	YELLOW
J7-1	REF EVAP FAN		PURPLE
J7-2	NOT USED		
J7-3	LIGHTS	POWERS LIGHTS	
J7-4	EVAP FAN	POWERS DRAWER EVAP FAN	
J7-5	NOT USED		
J7-6	NOT USED (REAR PIN)		
J7-7	NEUTRAL	NEUTRAL INTO BOARD	WHITE
J7-8	FDR	SENSES IF EITHER DRAWER OPEN	ORANGE
J7-9	R DR	SENSES IF DOOR OPEN	ORANGE
J7-10	NOT USED		
J7-11	NOT USED (PIN)		
J7-12	NOT USED		
J1-1	LOW VOLTAGE THERMISTOR CIRCUITS		
J1-2	EVAP EVAP	SENSES DRAWER EVAP TEMP	ORANGE/RED
J1-3	EVAP FRZ	SENSES DRAWER EVAP TEMP	BLUE/RED
J1-4	EVAP REF	SENSES UPPER REF EVAP TEMP	ORANGE/YEL
J1-5	EVAP REF	SENSES UPPER REF EVAP TEMP	BLUE/YELLOW
J1-6	REF	SENSES UPPER REF CABINET TEMP	BLUE/WHITE
J1-7	REF	SENSES UPPER REF CABINET TEMP	BLUE/WHITE
J1-8	FRZ	SENSES DRAWER CABINET TEMP	BLUE/BLACK
J1-9	FRZ	SENSES DRAWER CABINET TEMP	BLUE/BLACK

PART NUMBER 3758504 REV A

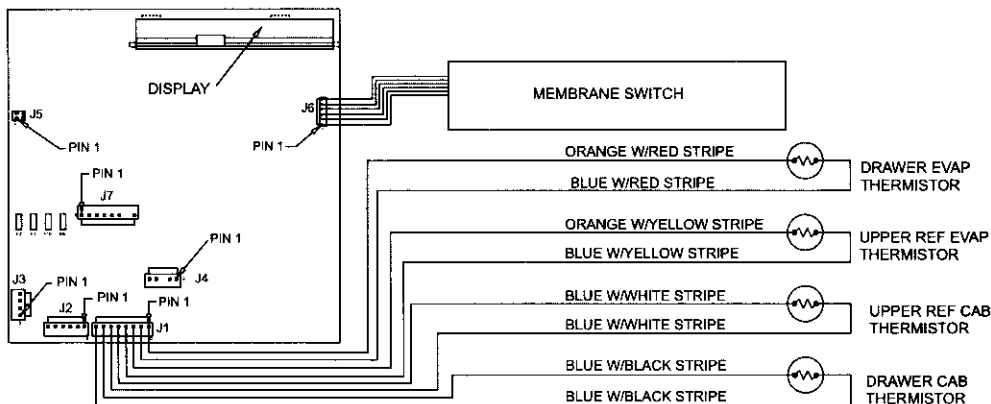


WIRING SCHEMATIC MODEL: 700TR-3

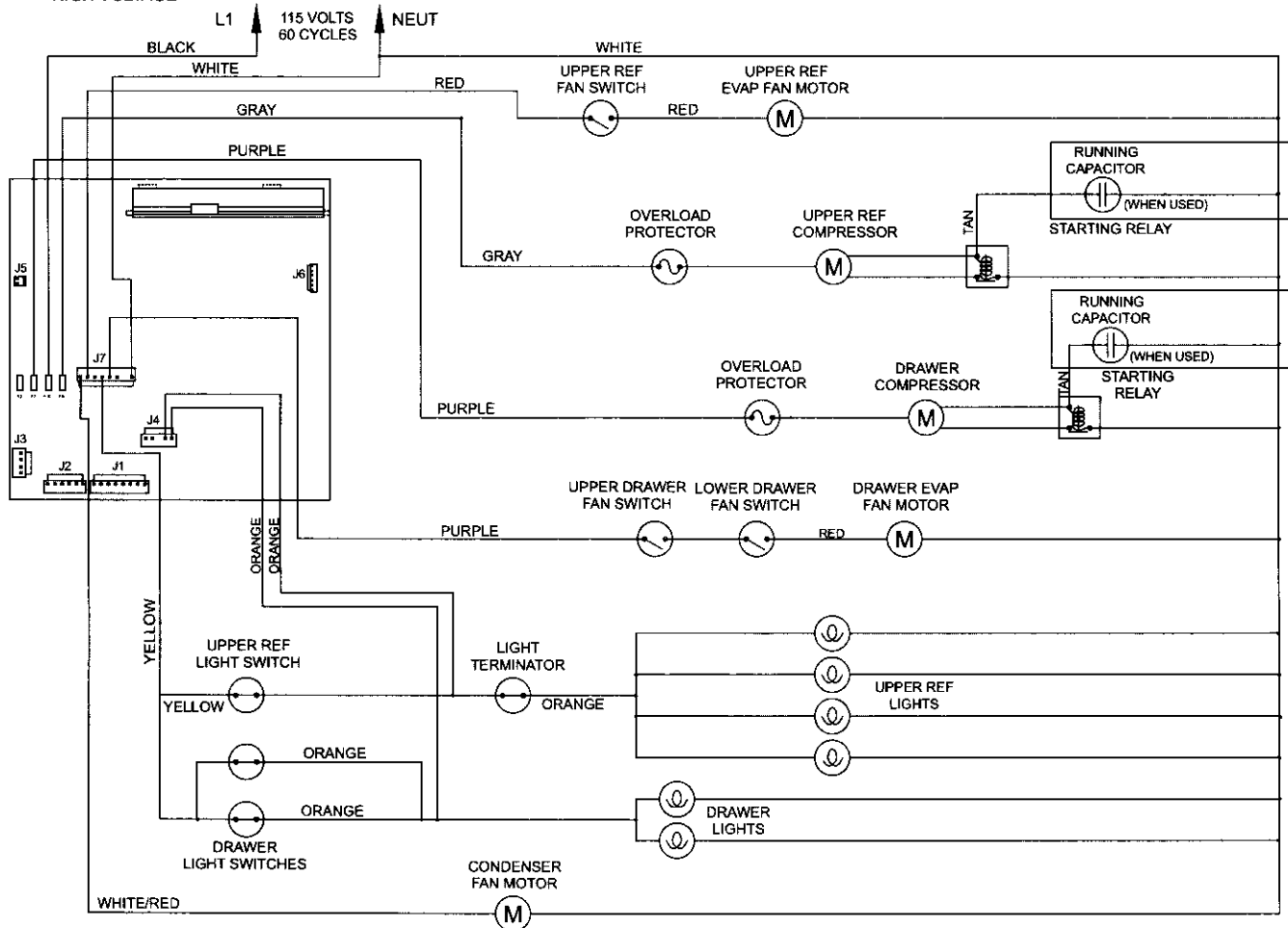
WARNING

-This wiring information is provided for use by qualified service personnel only.
 -Disconnect appliance from electrical supply before beginning service.
 -Be sure all grounding devices are connected when service is complete.
 -Failure to observe the above warnings may result in severe electrical shock.

LOW VOLTAGE



HIGH VOLTAGE



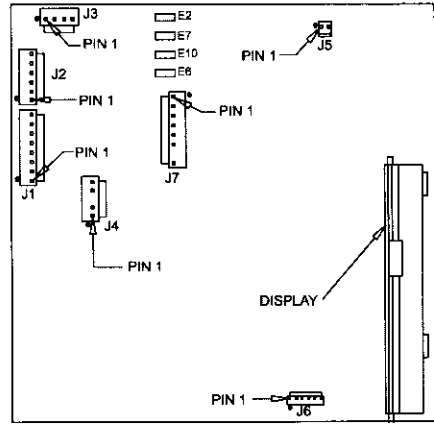
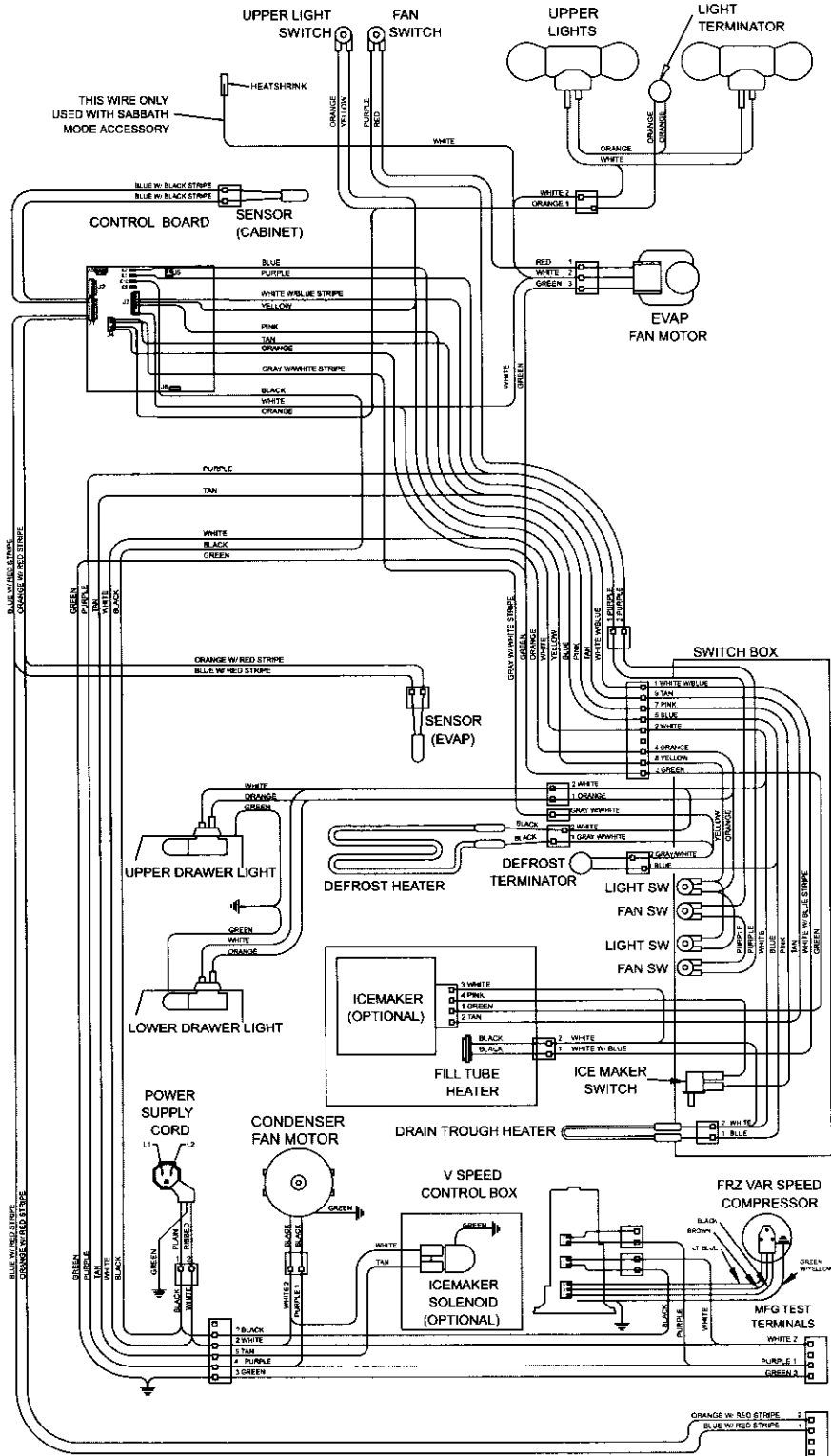
PART NUMBER 3758504 REV A



WIRING DIAGRAM MODEL: 700 TF/I-3

WARNING

- This wiring information is provided for use by qualified service personnel only.
- Disconnect appliance from electrical supply before beginning service.
- Be sure all grounding devices are connected when service is complete.
- Failure to observe the above warnings may result in severe electrical shock.



CONTROL BOARD DETAIL

CONTROL BOARD SUMMARY

CIRCUIT	DESCRIPTION	FUNCTION	COLOR
E2	120VOLT CIRCUITS	POWERS DEFROST CIRCUIT	BLUE
E7	DEF HTR	POWERS DEFROST CIRCUIT	PURPLE
E10	F COMP	POWERS COMPRESSOR	BLACK
E6	L1	POWER INTO BOARD	GRAY
J7-1	NOT USED	POWERS FULL TUBE HEATER AND ACCESSORIES	WHITETERED
J7-2	NOT USED	POWERS LIGHTS	WHITE/BLUE
J7-3	ICE MAKER ACC (FILL TUBE)	POWERS LIGHTS	YELLOW
J7-4	ICE	POWERS ICE MAKER	PINK
J7-5	ICE	POWERS ICE MAKER	WHITE
J7-6	NOT USED (NO PIN)	SENSES IF EITHER DRAWER OPEN	ORANGE
J7-7	NOT USED (NO PIN)	SENSES IF DOOR OPEN	GRAY/WHITE
J7-8	NEU	SENSES IF DEFROST HEATER IS ON OR OFF	TAN
J4-1	F DR	SENSES IF WATER VALVE IS ON OR OFF	ORANGE/RED
J4-2	R DR	SENSES IF WATER VALVE IS ON OR OFF	BLUE/RED
J4-3	NOT USED (NO PIN)	SENSES FRZ EVAP TEMP	BLUE/BLACK
J4-4	ICE MAKER VALVE SENSOR	SENSES FRZ EVAP TEMP	
J4-5	LOW VOLTAGE CIRCUITS	SENSES FRZ EVAP TEMP	
J1-1	EVAP FRZ	SENSES FRZ CABINET TEMP	
J1-2	EVAP FRZ	SENSES FRZ CABINET TEMP	
J1-3 THRU 6	NOT USED		
J1-7 & 8	FRZ	CABINET SENSOR	

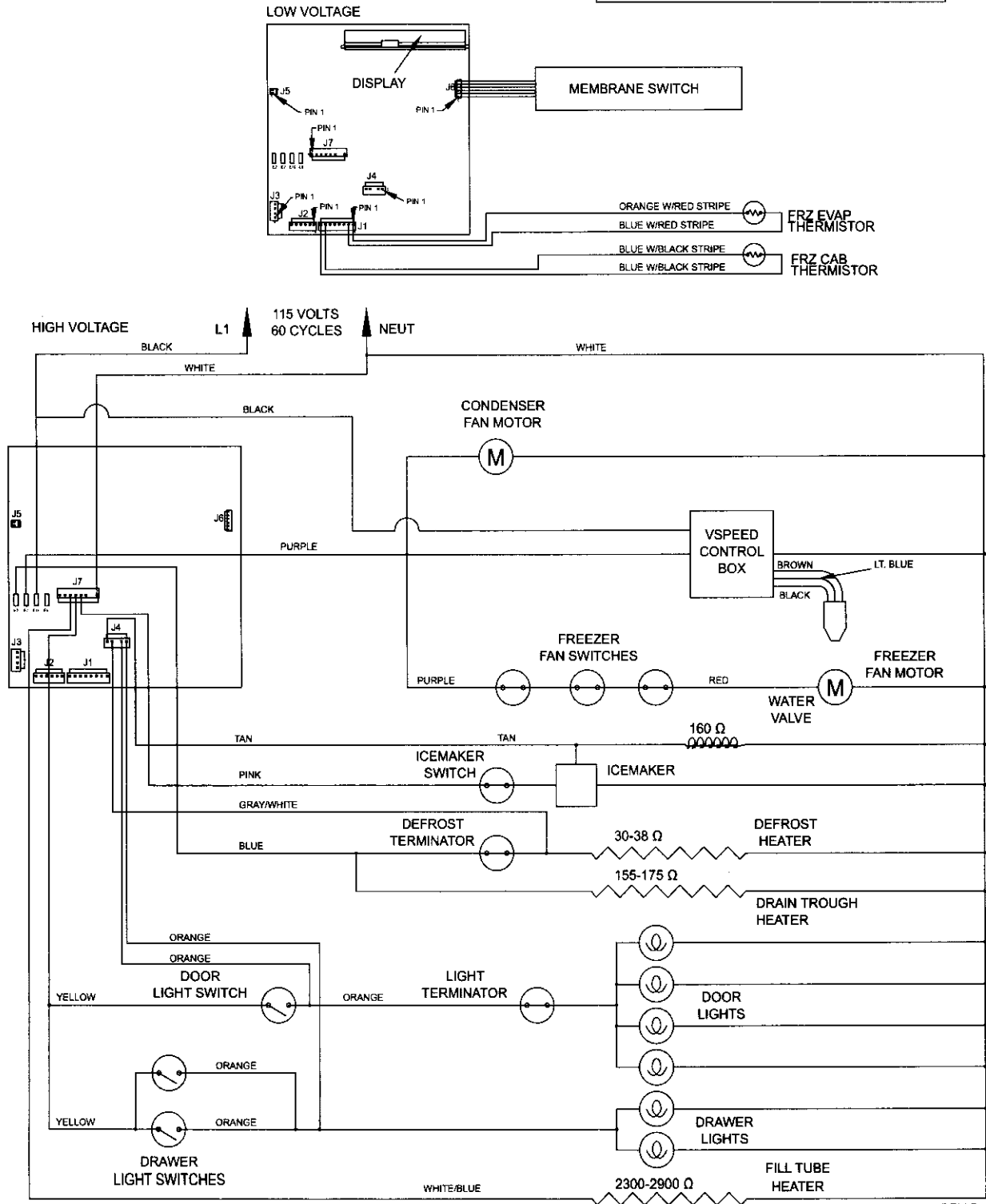
P/N 3758594 REV B

WIRING SCHEMATIC

MODEL: 700 TF/I-3

WARNING

-This wiring information is provided for use by qualified service personnel only.
 -Disconnect appliance from electrical supply before beginning service.
 -Be sure all grounding devices are connected when service is complete.
 -Failure to observe the above warnings may result in severe electrical shock.



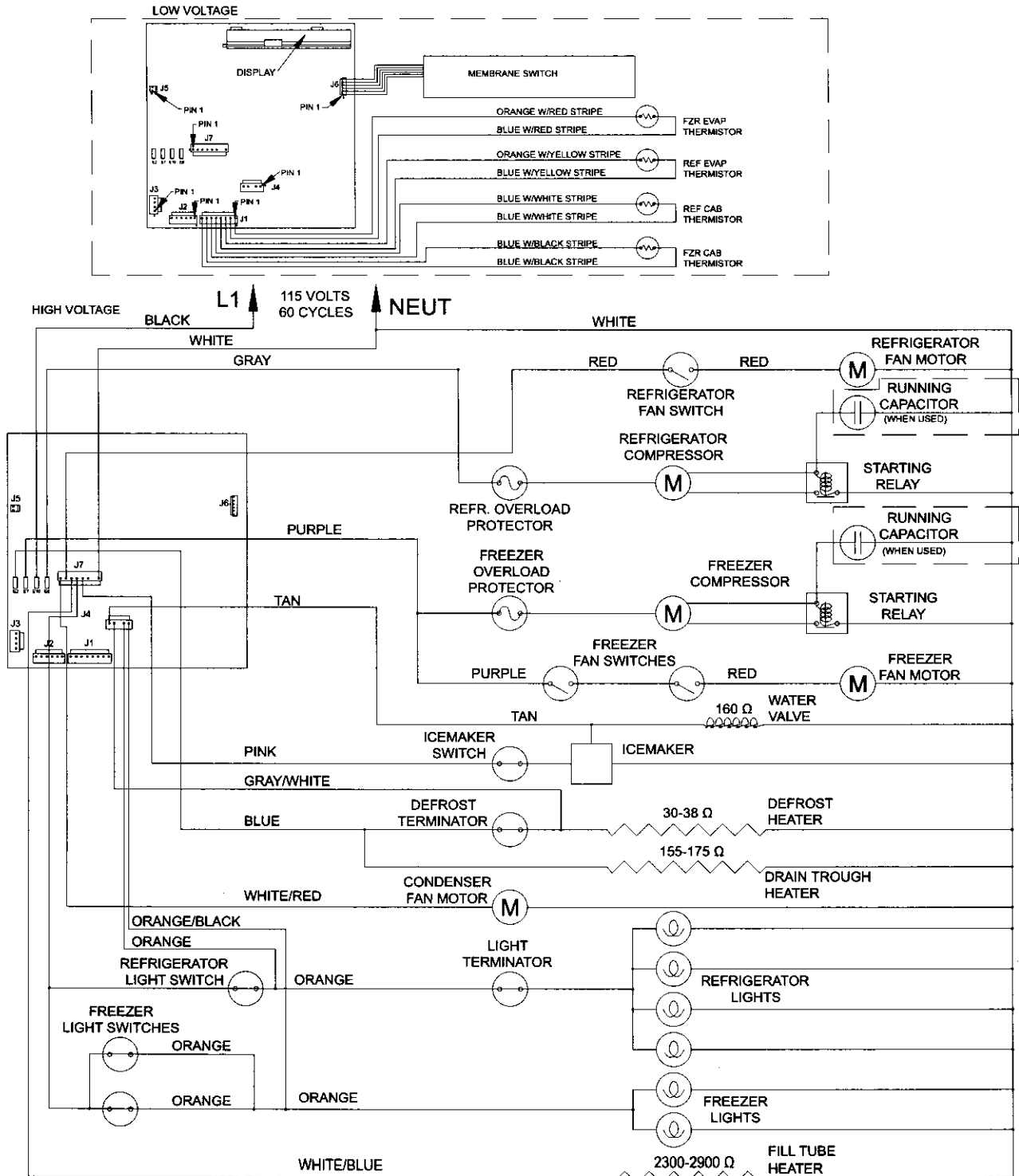


PART NUMBER 3758578 REV C

WIRING SCHEMATIC MODEL: 736TC/I-3

WARNING

- This wiring information is provided for use by qualified service personnel only.
- Disconnect appliance from electrical supply before beginning service.
- Be sure all grounding devices are connected when service is complete.
- Failure to observe the above warnings may result in severe electrical shock.



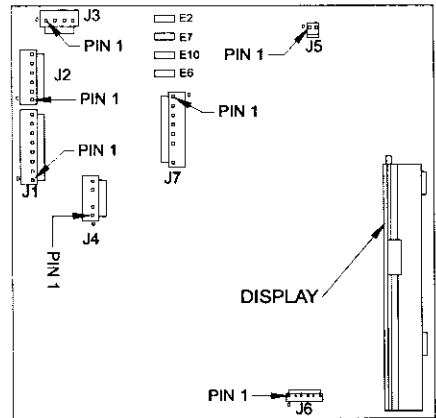
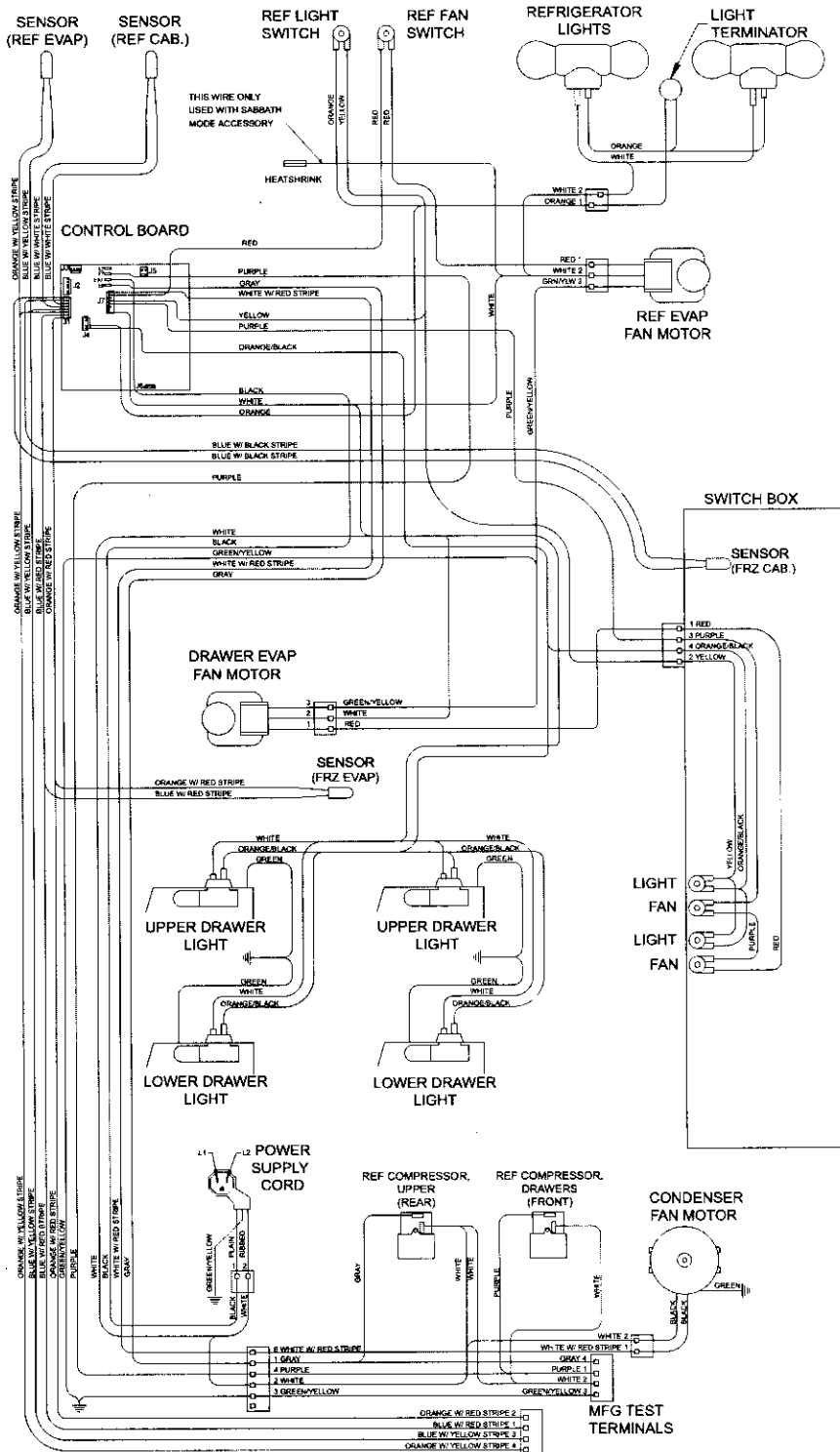


PART NUMBER 7000922 REV A

WIRING DIAGRAM MODEL: 736TR-3

⚠ WARNING

- This wiring information is provided for use by qualified service personnel only.
- Disconnect appliance from electrical supply before beginning service.
- Be sure all grounding devices are connected when service is complete.
- Failure to observe the above warnings may result in severe electrical shock.



CONTROL BOARD DETAIL

CONTROL BOARD SUMMARY	
CIRCUIT	FUNCTION
120 VOLT CIRCUITS	
E2	NOT USED
E7	POWERS REF COMPRESSOR (DRAWERS)
E6	POWERS INTO BOARD
J7-1	POWERS REF COMPRESSOR (DOOR)
J7-2	POWERS CONDENSER FAN
J7-3	POWERS REF FAN SW
J7-4	POWERS LIGHTS
J7-5	POWERS DRAWER FAN SW
J7-6	NOT USED
J7-7	NOT USED
J7-8	NOT USED
J7-9	NEUTRAL INTO BOARD
J4-1	SENSES IF EITHER DRAWER OPEN
J4-2	DOOR LIGHTS SENSE
J4-3	NOT USED (NO PIN)
J4-4	NOT USED
J4-5	NOT USED
LOW VOLTAGE THERMISTOR CIRCUITS	
J1-1	EMV FRZ
J1-2	FRZ EVAP
J1-3	EMV REF
J1-4	EMV REF
J1-5	EMV REF
J1-6	REF COMPARTMENT
J1-7	REF COMPARTMENT
J1-8	FRZ COMPARTMENT
J1-9	FRZ COMPARTMENT
COLOR	
	PURPLE
	BLACK
	GRAY
	WHITE/RED
	RED
	YELLOW
	PURPLE
	WHITE
	ORANGE/BLACK
	ORANGE
	ORANGE/RED
	BLUE/RED
	ORANGE/YEL
	BLUE/YELLOW
	BLUE/WHITE
	BLUE/BLACK
	BLUE/BLACK



PART NUMBER 7000922 REV A

WIRING SCHEMATIC MODEL: 736TR-3

WARNING

- This wiring information is provided for use by qualified service personnel only.
- Disconnect appliance from electrical supply before beginning service.
- Be sure all grounding devices are connected when service is complete.
- Failure to observe the above warnings may result in severe electrical shock.

