



SECTION 5

**AIR FLOW
AND
FAN BLADE SPACING**

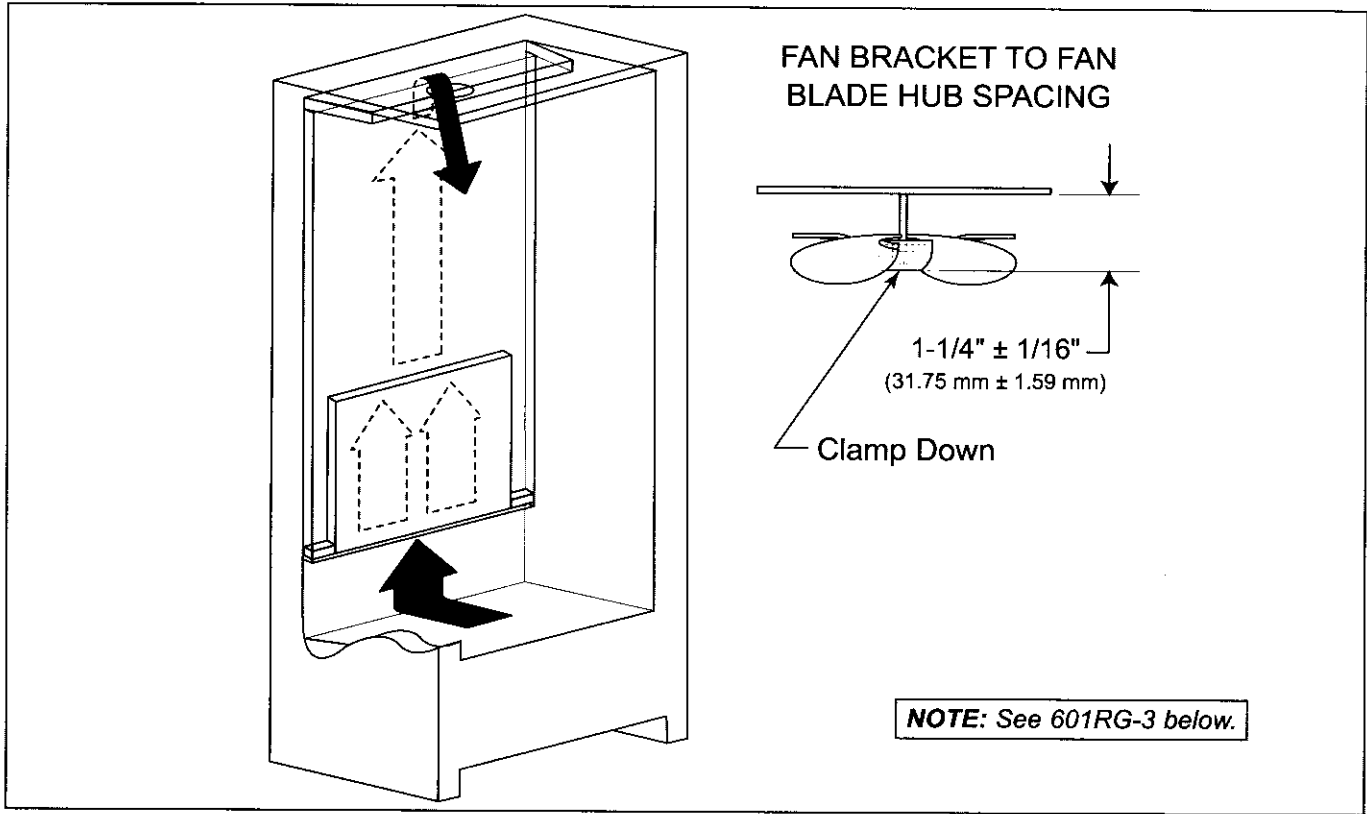


Figure 5-1. Air Flow and Fan Blade Spacing, Model 601R-3

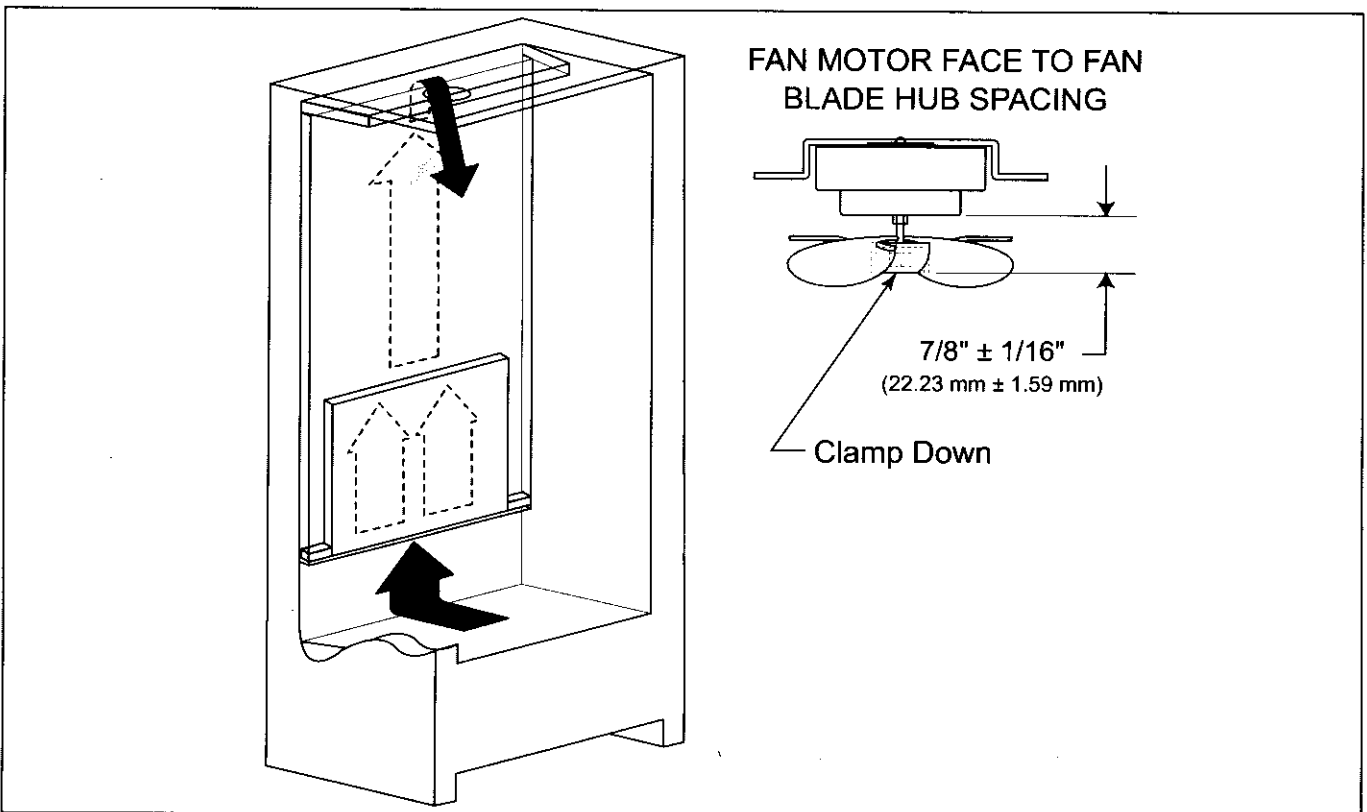


Figure 5-2. Air Flow and Fan Blade Spacing, Model and 601RG-3

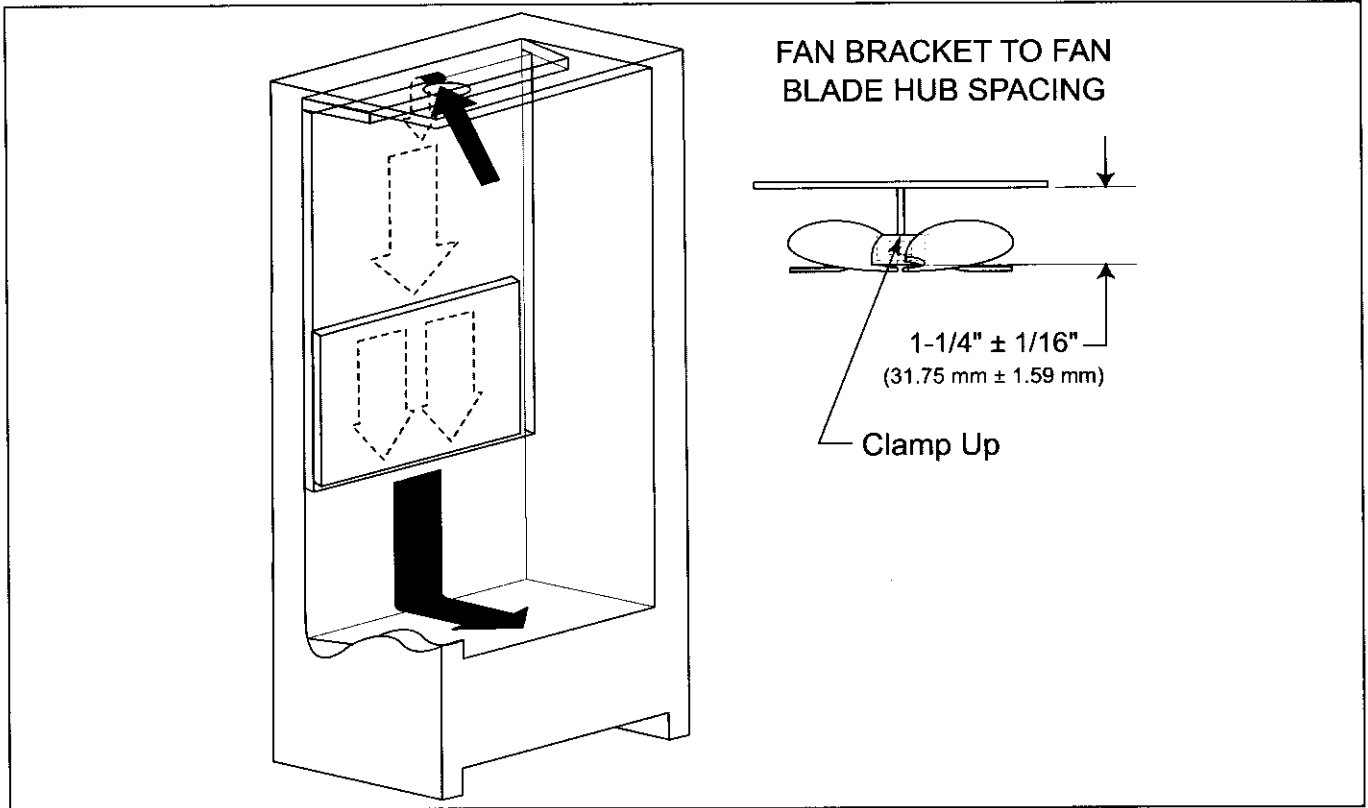


Figure 5-3. Air Flow and Fan Blade Spacing, Model 601F-3

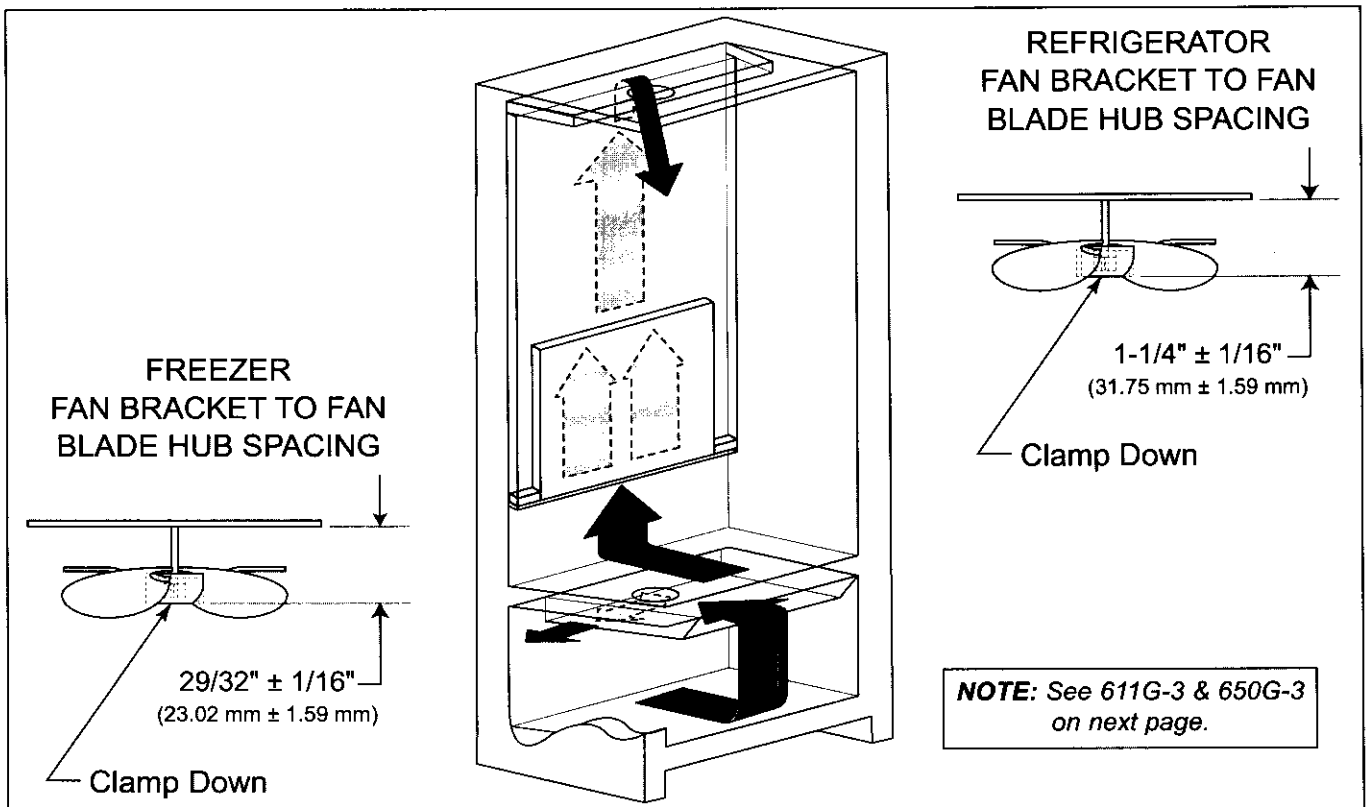


Figure 5-4. Air Flow and Fan Blade Spacing, Models 611-3 and 650-3

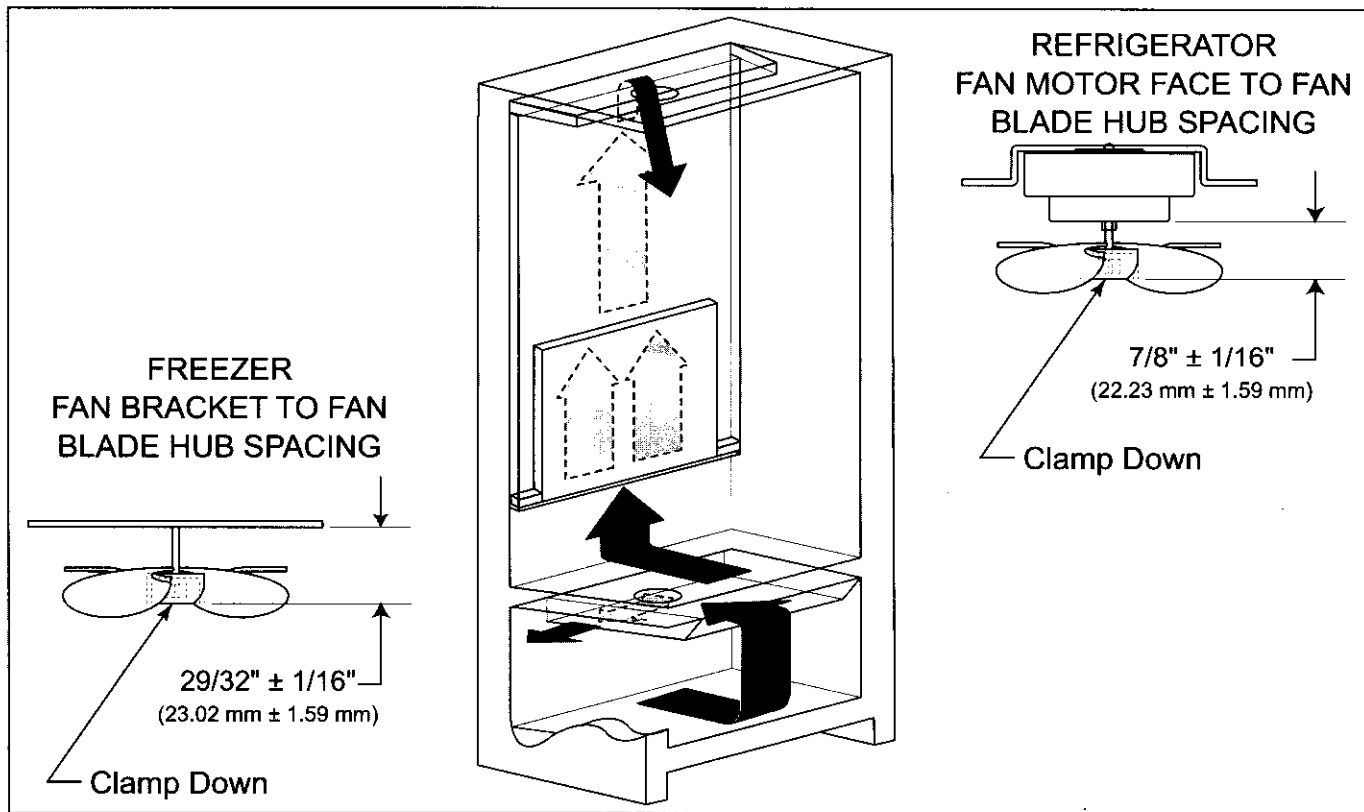


Figure 5-5. Air Flow and Fan Blade Spacing, Models 611G-3 and 650G-3

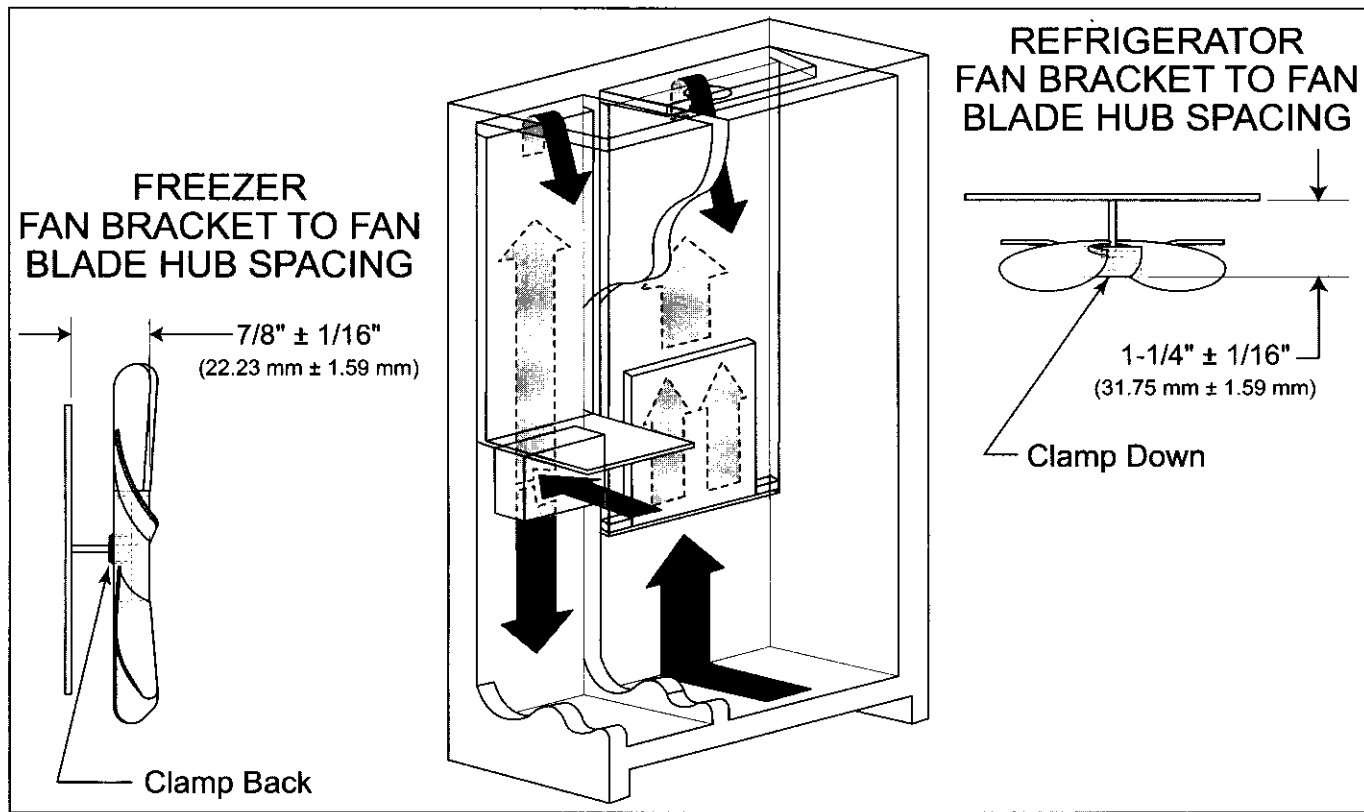


Figure 5-6. Air Flow and Fan Blade Spacing, Models 632-3 and 642-3

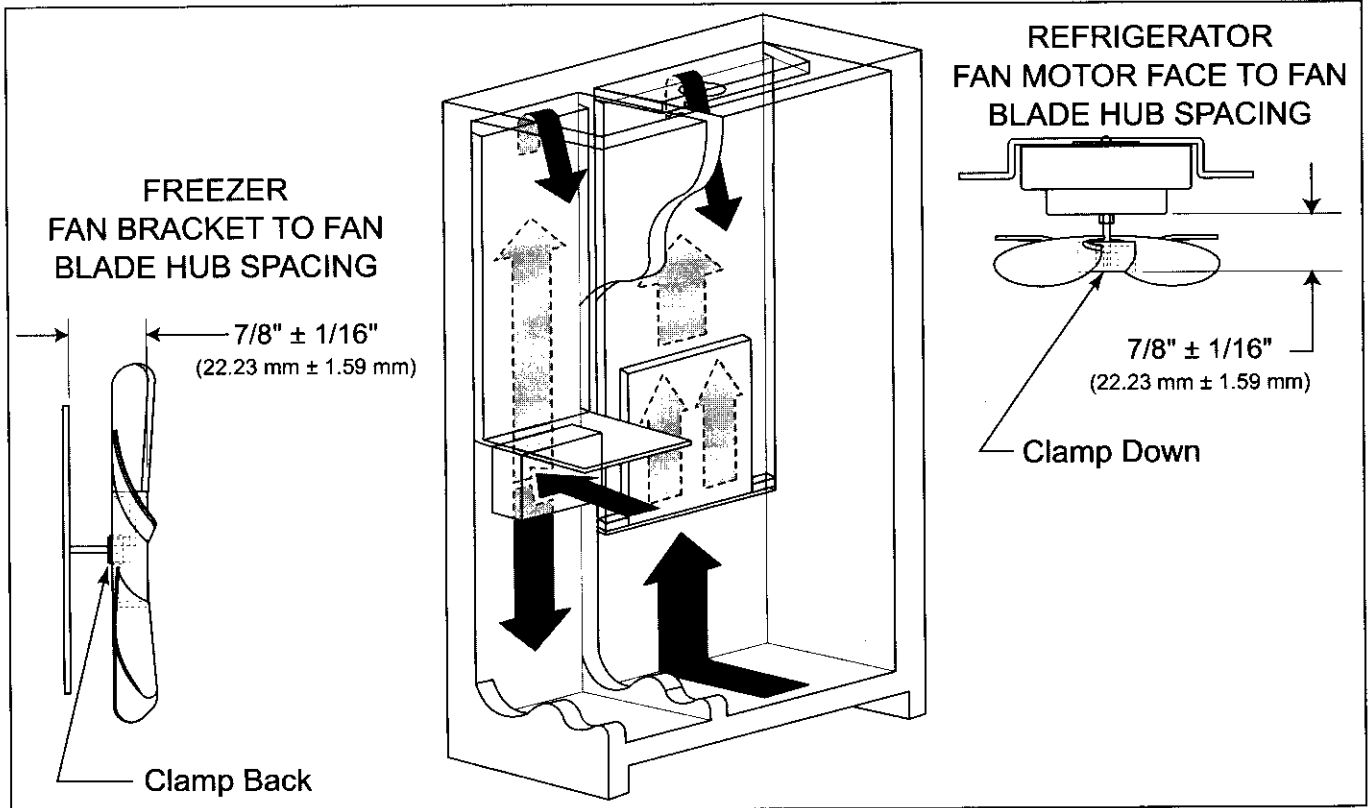


Figure 5-7. Air Flow and Fan Blade Spacing, Models 661-3

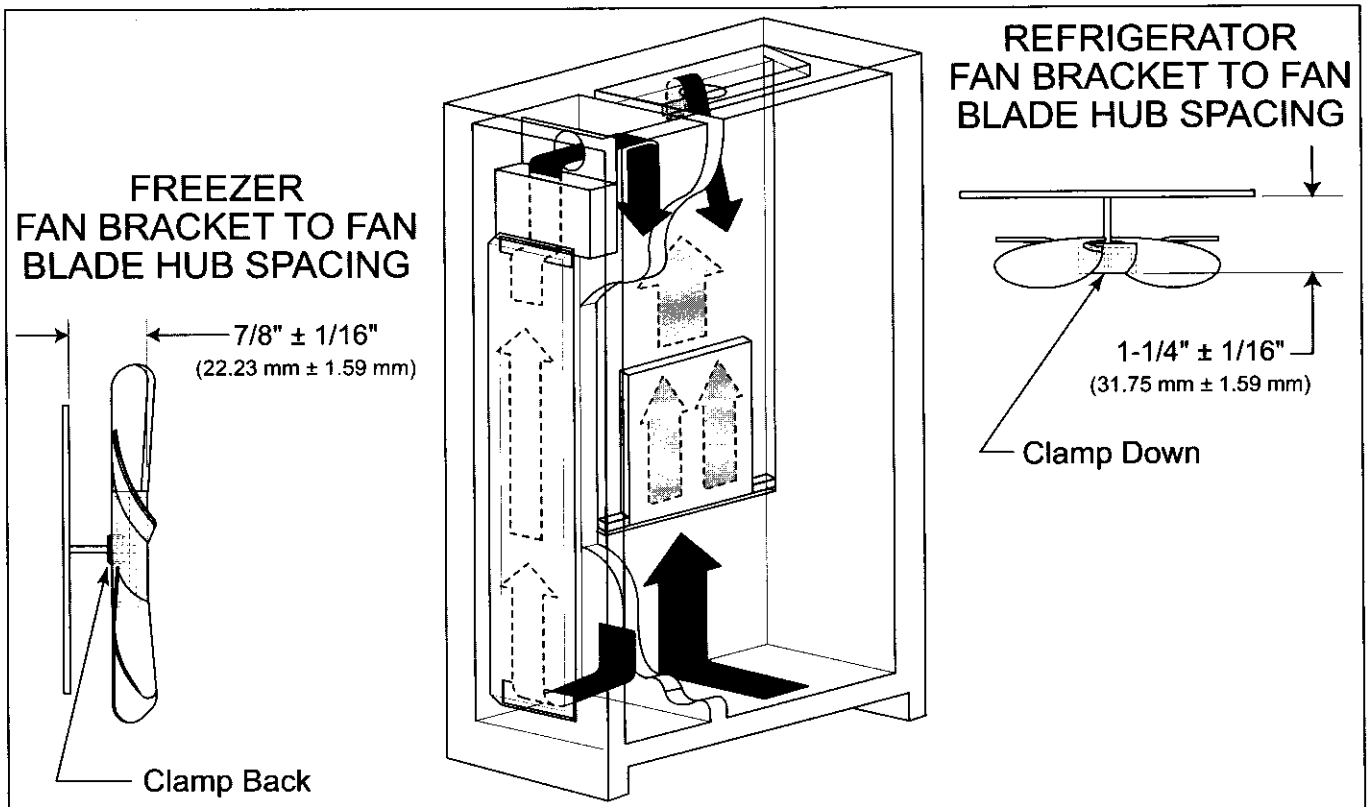


Figure 5-8. Air Flow/Fan Blade Space, Models 685-3 and 695-3