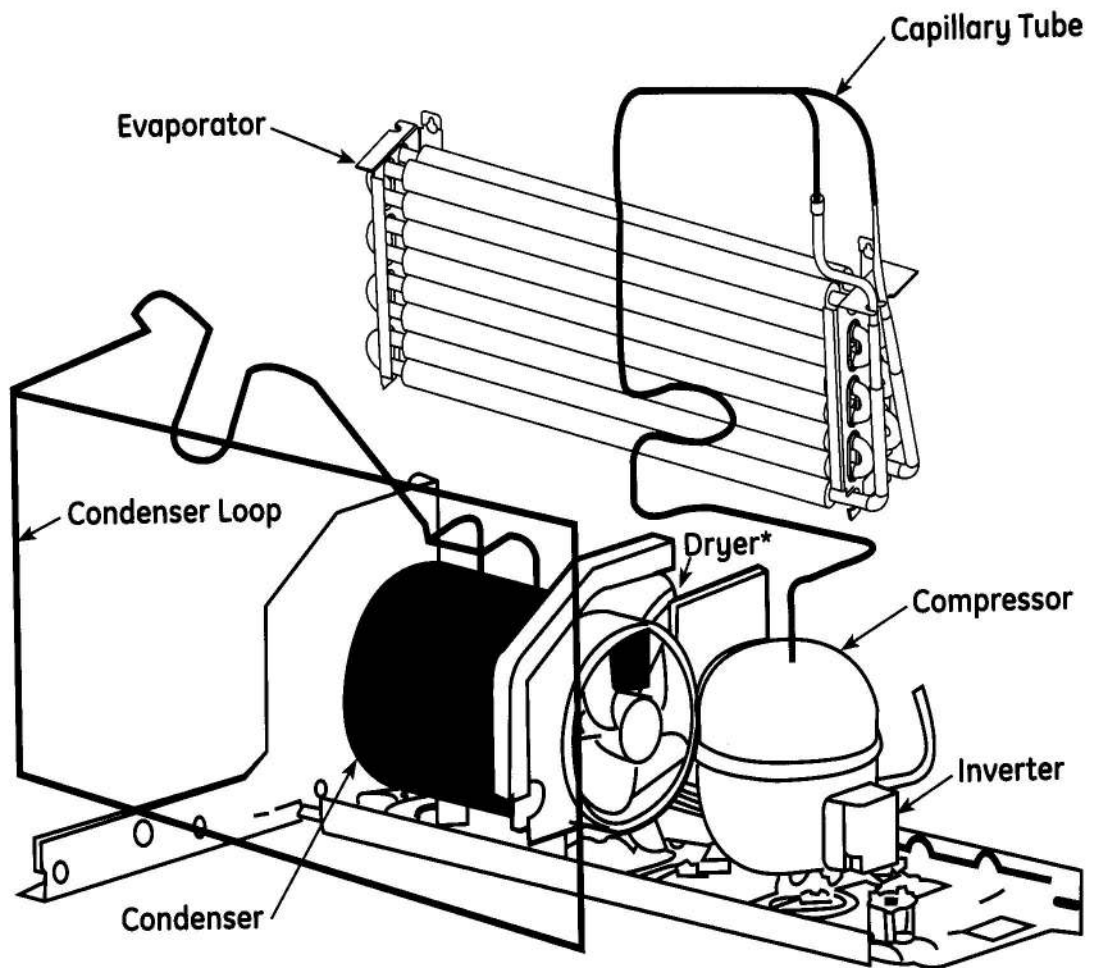


Refrigeration System

Refrigeration Components



*The dryer (not shown), is vertically positioned between the compressor and the condenser fan motor.