

SECTION 2

INSTALLATION INFORMATION

INSTALLATION CONSIDERATIONS

This section covers some of the more common installation issues seen by a service technician. An improper installation, though not a valid service issue, has the potential to lead to a customer placing a call for service. Installation related customer complaints could include, but are not limited to: Unit leveling, unit movement, doors not sealing, internal frost or condensation, warm compartment temperatures, exterior condensation, etc..

NOTE: If additional installation information is needed, refer to the complete Installation Manual, or contact the Sub-Zero Technical Assistance Department.

⚠ WARNING

UNIT COULD TIP FORWARD UNDER CERTAIN LOAD CONDITIONS. FAILURE TO INSTALL ANTI-TIP COMPONENTS AND EXTEND LEVELERS TO THE FLOOR ACCORDING TO INSTALLATION MANUAL COULD RESULT IN SERIOUS PERSONAL INJURY OR DEATH.

Unit Leveling

NOTE: The kickplate/grille must be removed before leveling (See Figure 2-1). If the unit has already been anchored to the cabinets, the side molding strips must be removed and the anchor screws must be extracted from the unit to cabinet brackets before leveling (See Figure 2-2). These components must be reinstalled after leveling.

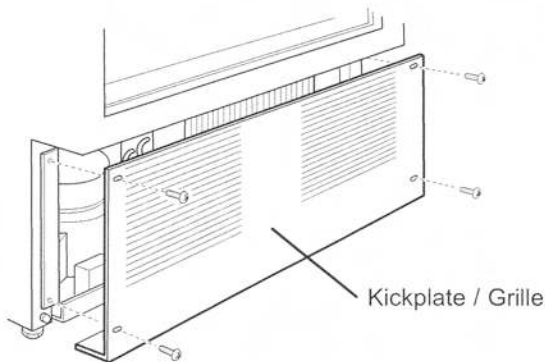


Figure 2-1. Kickplate/Grille Removal

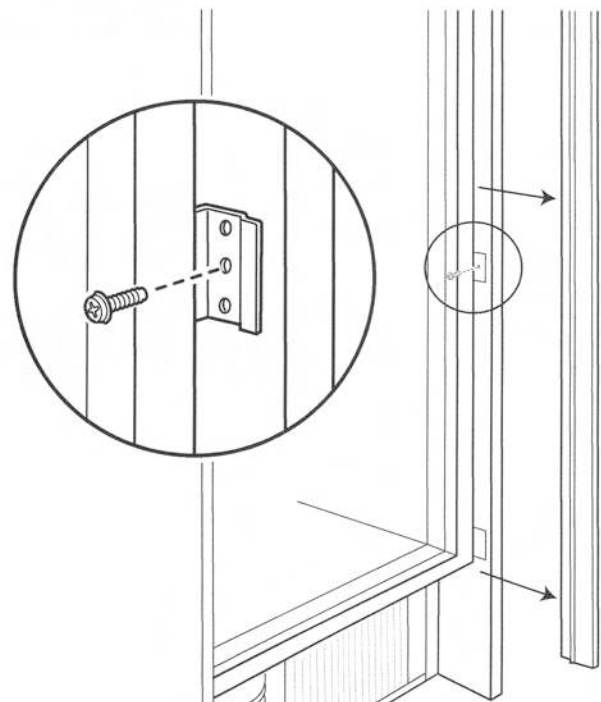


Figure 2-2. Side Molding & Bracket

To level the unit, turn the front leveling legs counter-clockwise to raise the front or clockwise to lower it. To assist in turning the front leveling legs up or down, use a standard straight-blade screwdriver and place it in the foot of the front leg, then rotate the leveler foot in the desired direction (See Figure 2-3).

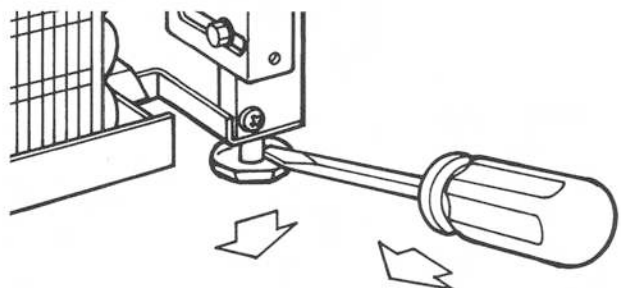


Figure 2-3. Adjusting Front Levelers

The rear levelers are adjusted from the front of the base by turning the Phillips head adjusting screw. The long adjusting screw reaches all the way to the rear leveler assembly. Turn the screw clockwise to raise the rear or counterclockwise to lower it (See Figure 2-4).

NOTE: The rear leveling legs will only move 1/16" for every 18 revolutions of the Phillips head screw. Do not over torque. Use the lowest torque setting on any power screwdriver. Do not turn rear leveling legs by hand, doing so will damage the assembly.

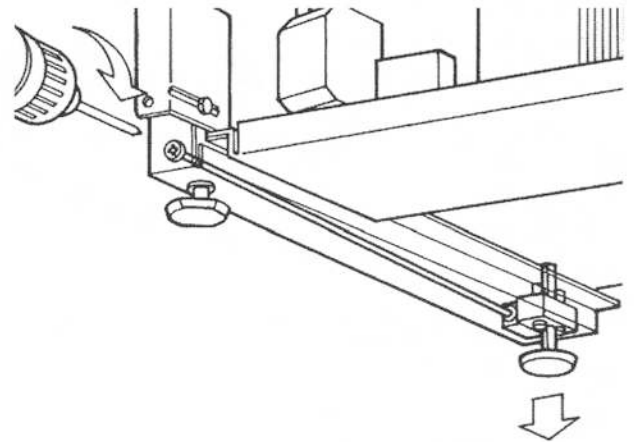


Figure 2-4. Adjusting Rear Levelers

Door Adjustment

The doors are non-adjustable. Instead, the door panel must be adjusted if there is an alignment problem. Refer to the Installation Manual for panel installation and adjustment.

NOTE: The unit must be level before attempting to adjust the door panel.

Door Stop Adjustment

This Series has a 90° door stop cam built into the hinge system. The 90° door stop cam is located in the center portion of each hinge. To adjust it, use a standard straight-blade screwdriver to rotate the cam until it reaches the stop point (See Figure 2-5).

NOTE: You must make this adjustment at both bottom and top hinge.

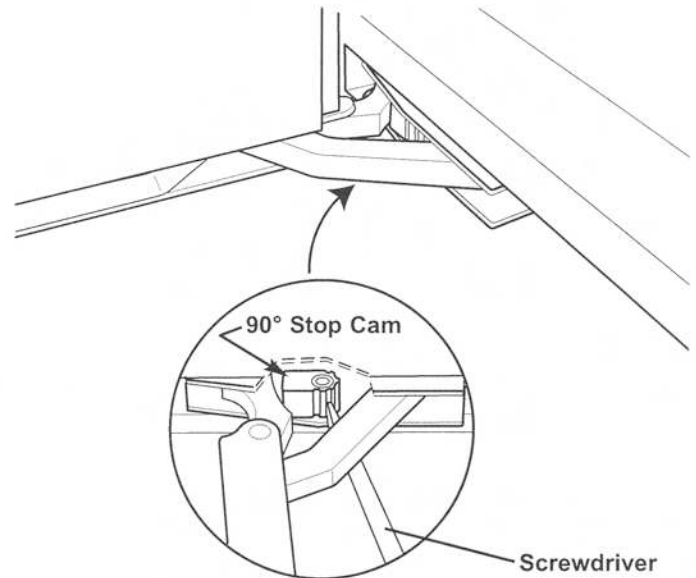


Figure 2-5. 90° Door Stop Cam

Dual Unit Installations

⚠ CAUTION

If two or more units are placed side by side and are 2" or less apart, a dual unit heater package must be applied to the left side of the right hand unit. Failure to install the dual unit heater package could result in exterior condensation between the units.

- If two Tall units are installed side by side and are 2" or less apart, part #7007529 (AKA TTDUAL) should be utilized. (See Figure 2-6)
- If two Base units are installed side by side and are 2" or less apart, part #7007530 (AKA #BBDUAL) should be utilized
- If a Tall unit is installed next to a Base unit and they are 2" or less apart, part #7007530 (AKA #BBDUAL) should be utilized.

Complete installation instructions are supplied with the #7007530 and #7007529 packages.

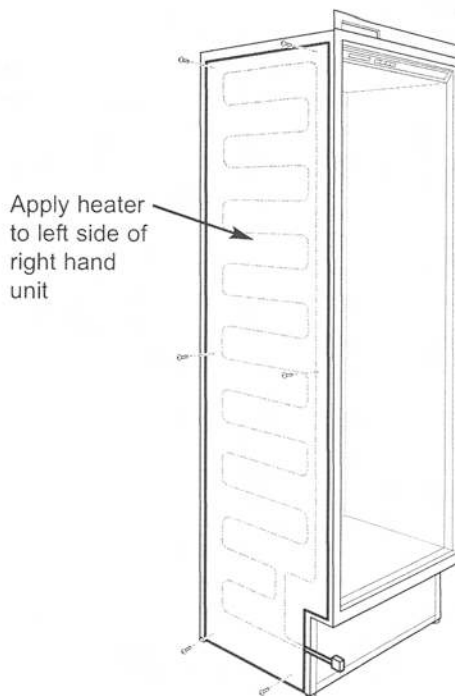


Figure 2-6. Dual Unit Heater Installation