

# **SECTION 5**

# **AIR FLOW**



AIRFLOW DIAGRAMS

For proper airflow, evaporator fan blades must be pushed onto the fan motor shafts fully, so that the motor shafts touch the fan blade stop point.

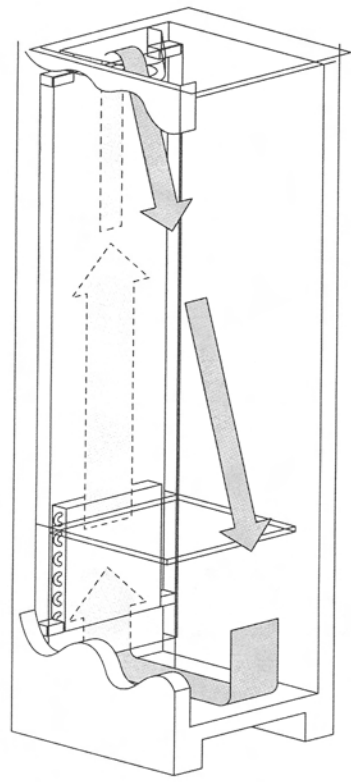


Figure 5-1. IC-27R Airflow

For proper airflow, evaporator fan blades must be pushed onto the fan motor shafts fully, so that the motor shafts touch the fan blade stop point.

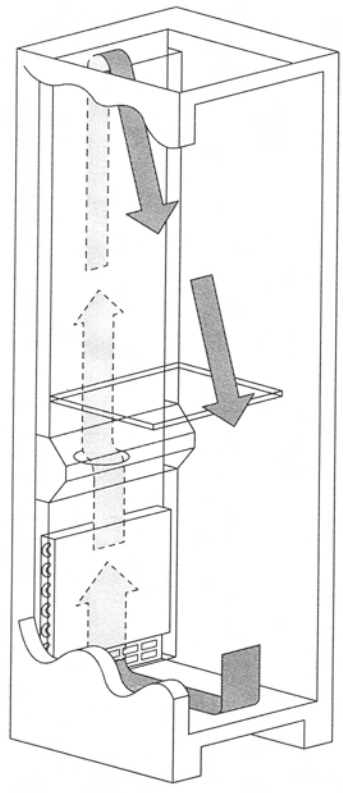


Figure 5-2. IC-27F Airflow