



AIRFLOW DIAGRAMS

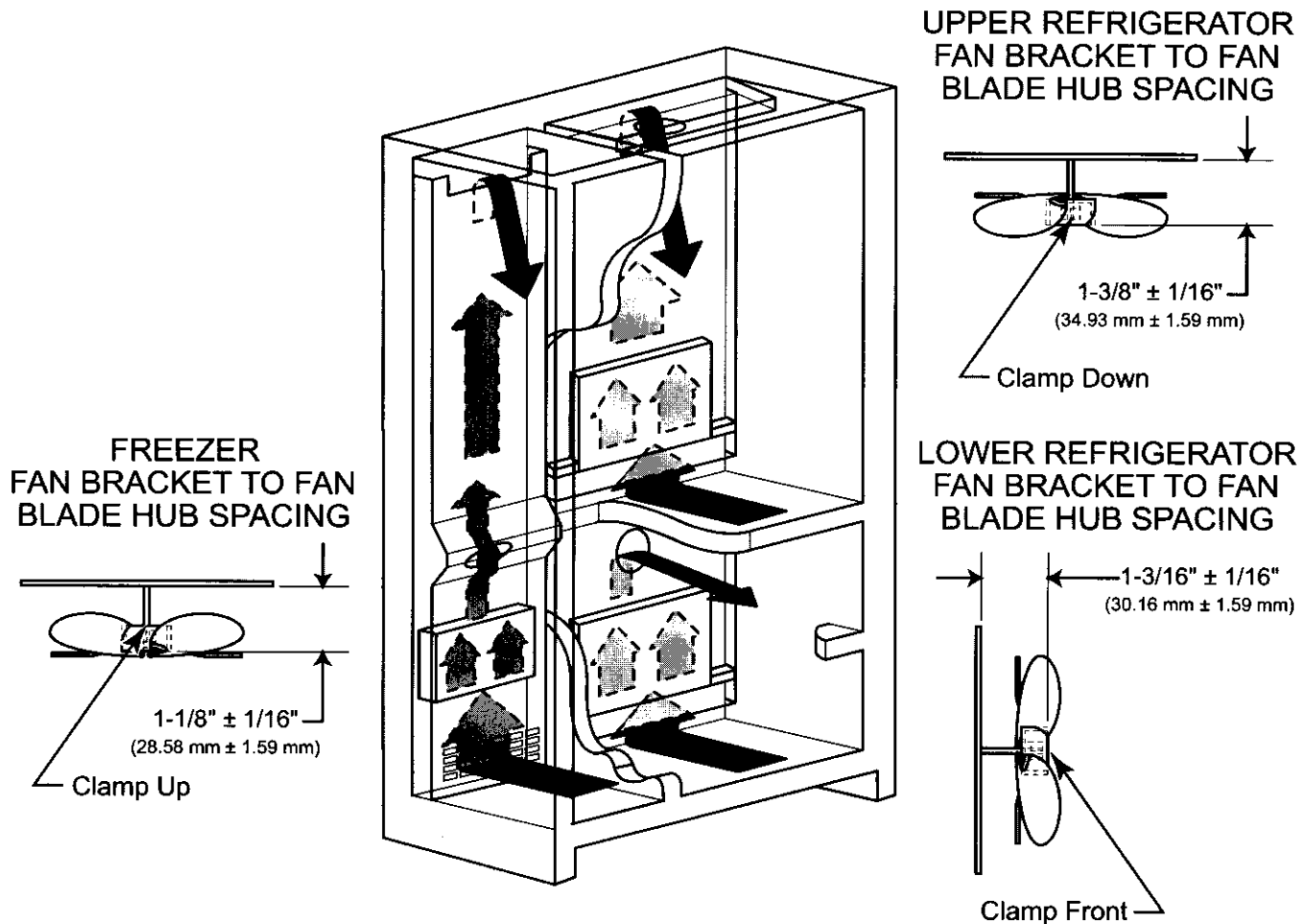


Figure 5-1. Air Flow and Fan Blade Spacing, Model 648PRO