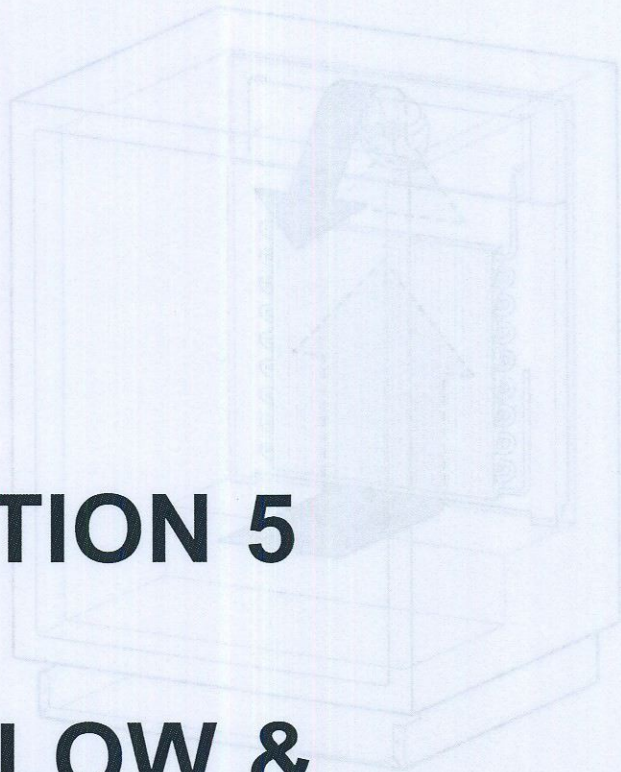
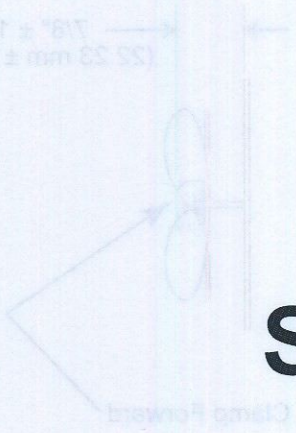
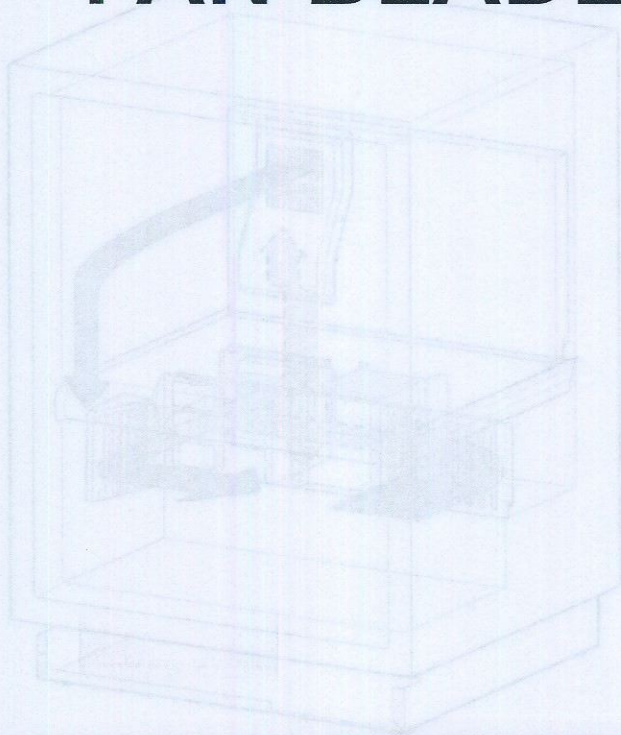


7/8" ± .118"  
(22.23 mm ± .150 mm)



# SECTION 5

# AIRFLOW & FAN BLADE SPACING



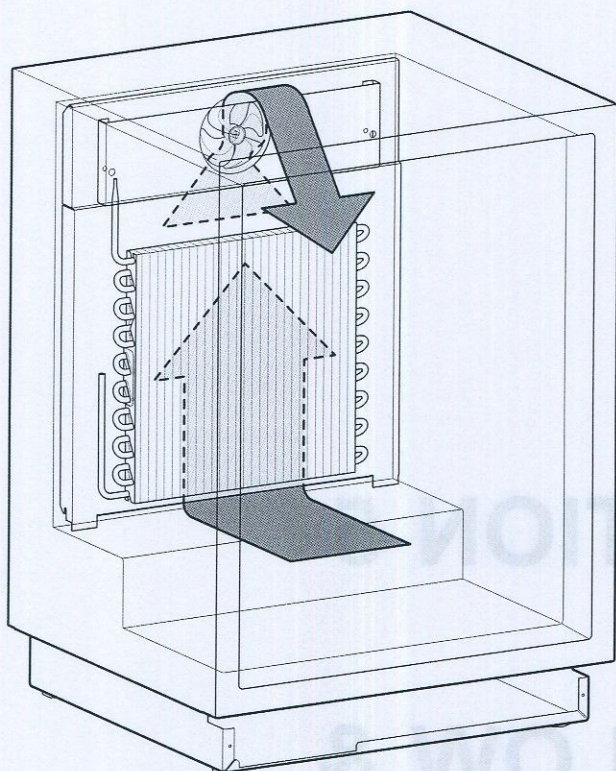
0.210" ± 0.015"  
(5.33 mm ± 0.38 mm)



NOTE: This critical spacing measurement is set at the factory with precision gaging tooling. Because of this the fan motor and blades are only available as an assembly for service.



AIRFLOW AND FAN BLADE SPACING DIAGRAMS



FAN BRACKET TO FAN BLADE HUB SPACING

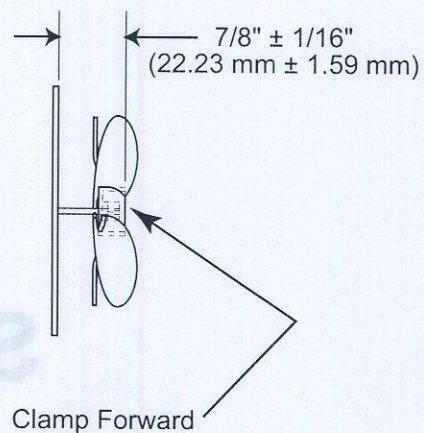


Figure 5-1. UC-24B, UC-24R, UC-24RO Airflow and Fan Blade Spacing

FAN BRACKET TO FAN BLADE HUB SPACING

0.210" +/- 0.015"  
(5.33 mm ± 0.38 mm)

**NOTE:** This critical spacing measurement is set at the factory with precision gauged tooling. Because of this, the fan motor and/or blade are only available as an assembly for service.

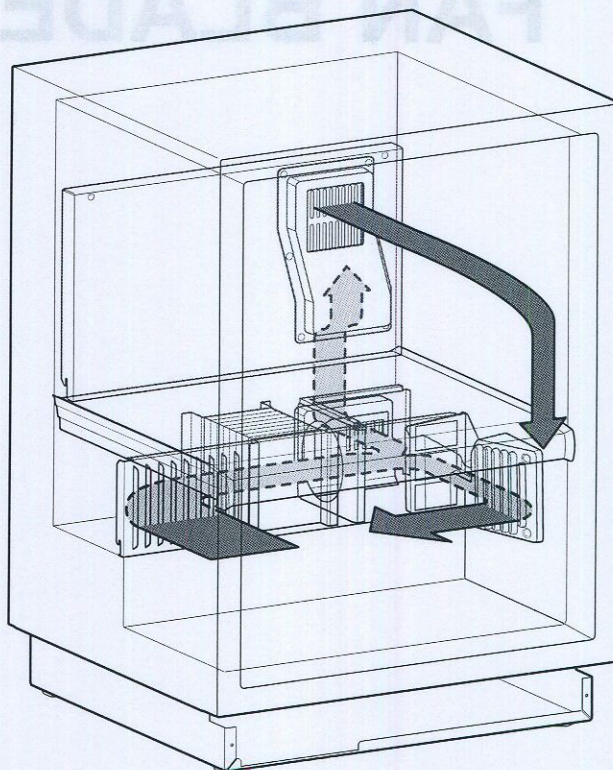
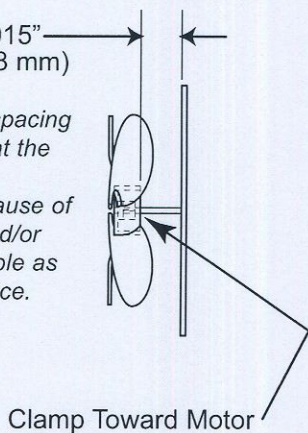


Figure 5-2. UC-24C Airflow and Fan Blade Spacing