

CABINET, LINER & DOOR PARTS LIST

(Starting with Serial #1 181341)

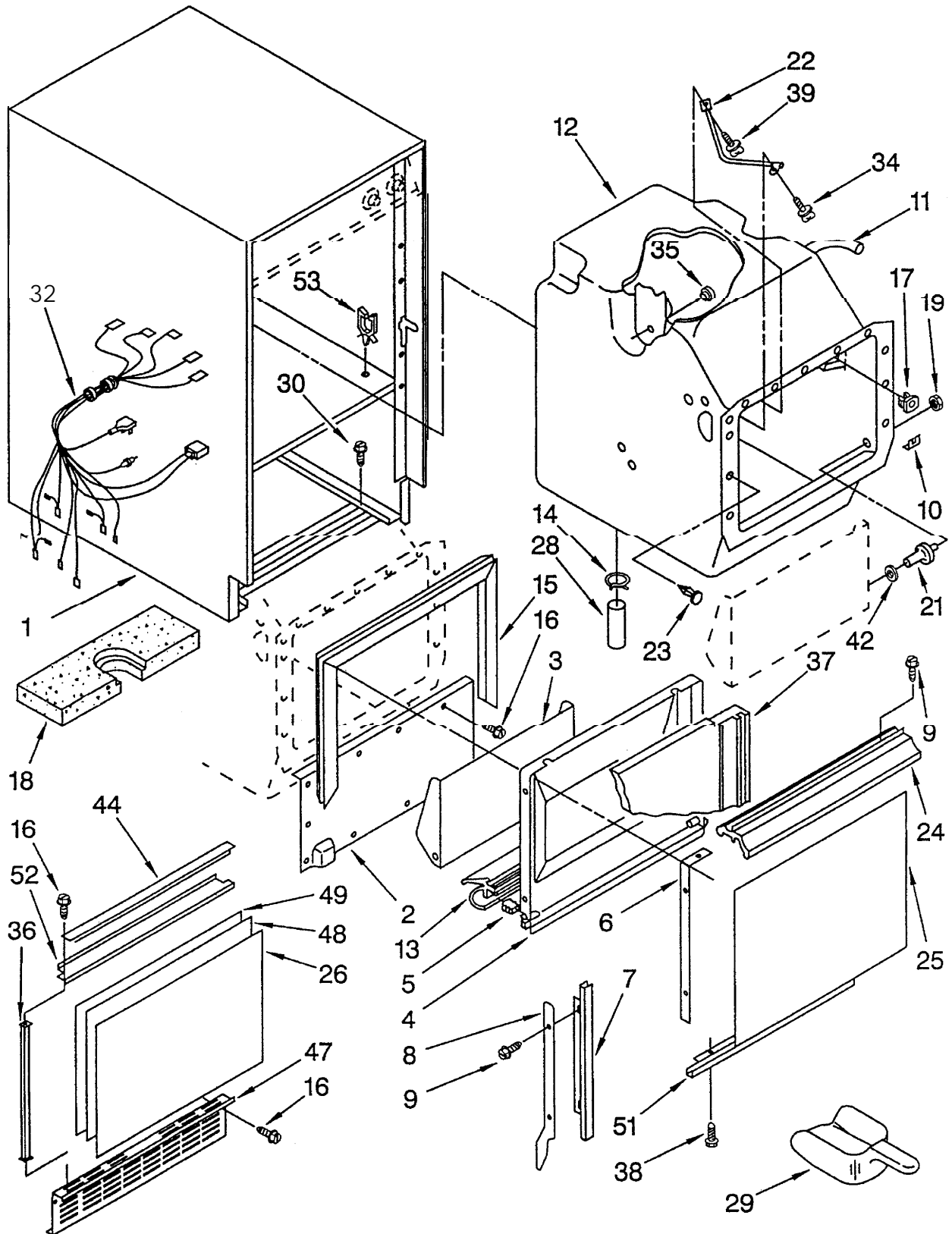
Ref #	Part #	Description
1	2175636	Shell
2	2175619	Front, Shell
3	756330	Door, Inner Bin
4	758655	Liner, Door
5	593192	Plug, Hinge
6	593104	Strip, Tapping (2)
7	755675	Trim, Door (Right Side)
	755676	Trim, Door (Left Side)
8	593184	Rail, Door (Right Side)
	593185	Rail, Door (Left Side)
9	681459	Screw, 8-32 x 5/8 (6)
10	758492	Washer (2)
11	759213	Tube, Water Fill
12	756350	Liner (Includes No's. 10, 11, 17, 19, 21, & 35)
13	2172898	Gasket, Bottom
14	596023	Clamp (2)
15	758921	Gasket
16	487909	Screw #8 x 1/2
17	596807	Grommet
18	756891	Insulation, Bottom, Foam
19	681542	Nut
21	758220	Stud (2)
22	593183	Well, Bin Thermostat
23	596812	Clip, Panel (12)
24	758902	Pull, Door
25	758888	Panel, Exterior
26	758889	Panel, Outer
28	593577	connector, Hose
29	585158	scoop
30	680811	Screw, IO-32 x 3/8
32	2174781	Harness, Cabinet

Ref #	Part #	Description
34	680930	Thumbscrew, #10-1/2
35	596715	Well Nut (3)
36	758713	Trim, Side (2)
37	758754	Insulation, Door
38	681196	Screw
39	681419	Thumbscrew
42	681613	Washer
44	758716	Trim, Top and Bottom
47	758769	Grill, Front
48	758770	Panel, Filler
49	758771	Panel, Inner
51	755677	Trim, Door (Lower)
52	2175604	Support, Front
53	489482	Retainer, Wire

FOLLOWING PARTS NOT ILLUSTRATED ;
OPTIONAL PARTS NOT INCLUDED

503695	Sealer, Cork (1/4 Pound)
797403	Cement, Insulation (1 Oz.)
505587	Sealer, Mastic (1 Qt.)
212643	Sealer, Gum (22 Pcs. 3/16" x 7")
479976	Kit, Insulation (5 Pcs. 3" x 24" x 48")
978025	Valve, Access (1/4")
978026	Valve, Access (5/16")
978027	Valve, Access (3/8")
978028	Valve, Access (1/2")
978029	Valve, Access (5/8")
978030	Valve, Access (3/4")

CABINET, LINER & DOOR (starting with **Serial #1** 181341)

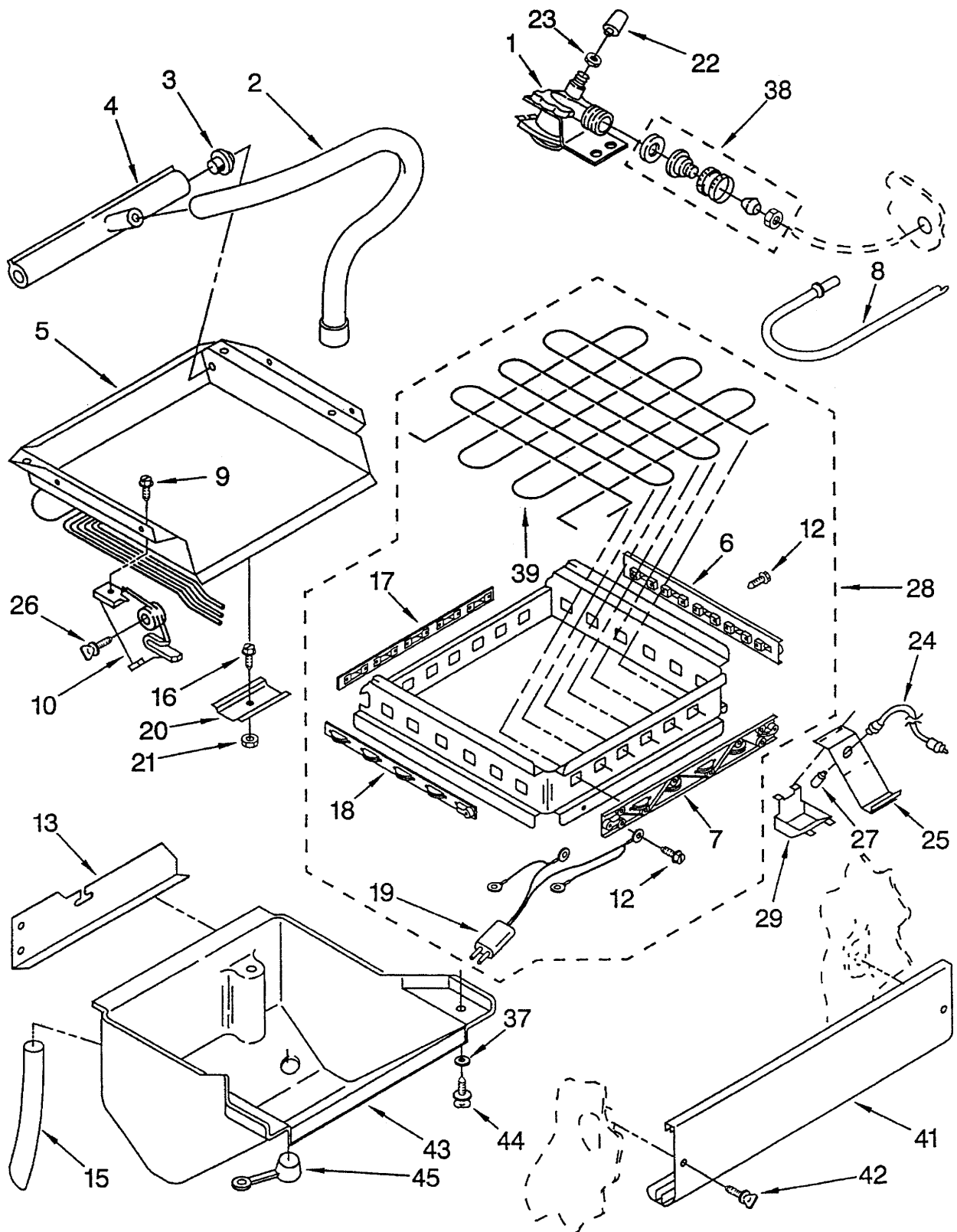


EVAPORATOR, CUTTER GRID & WATER SYSTEM PARTS - PARTS LIST

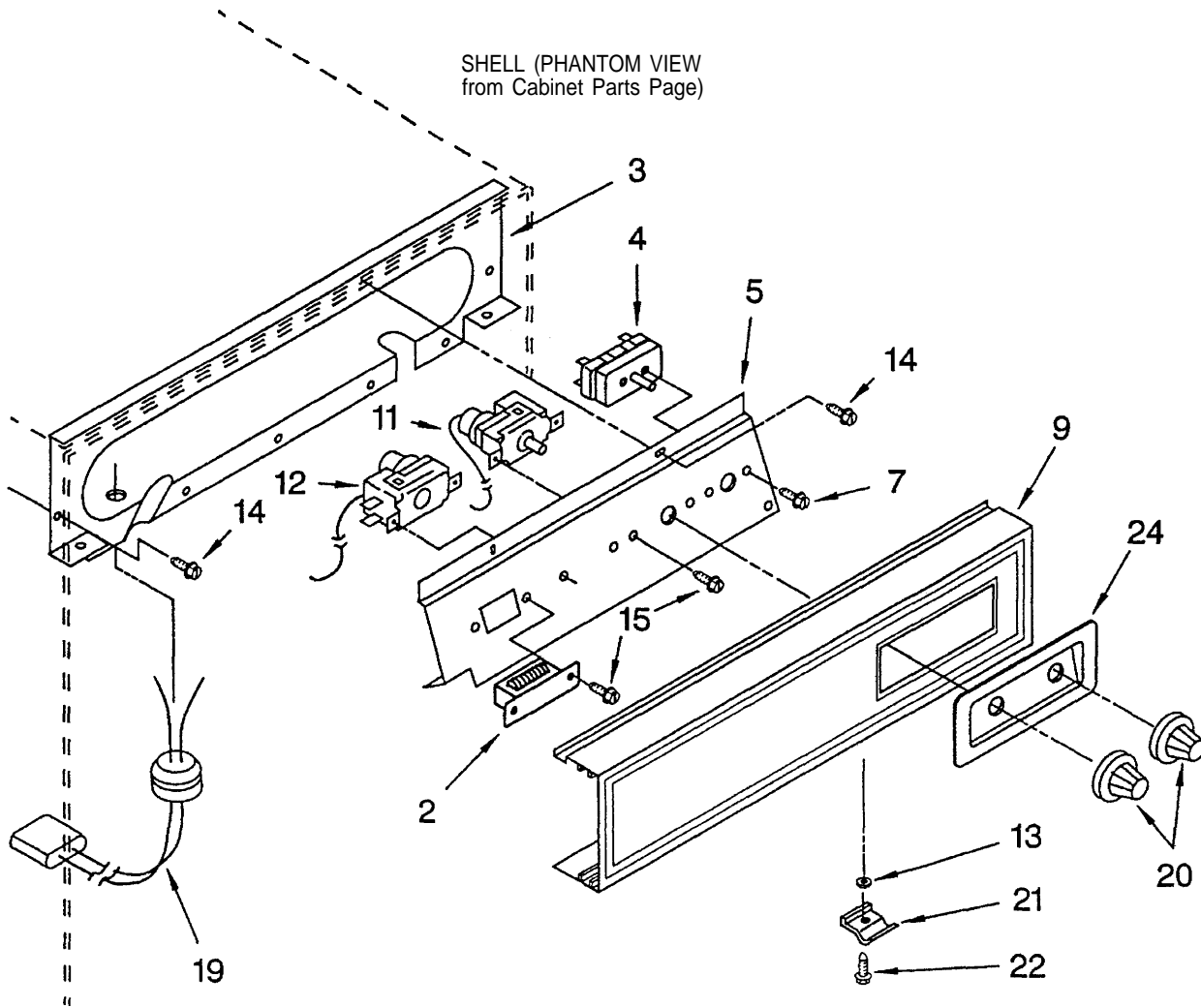
(Starting with Serial **#1** 181341)

<u>Ref #</u>	<u>Part #</u>	<u>Description</u>
1	759296	Water Valve, Complete
2	585856	Tube, Plastic
3	758597	Plug (2)
4	1129798	Dispenser, Water
5	2181203	Evaporator
6	2174726	Spacer, Adjustable (Side)
7	2174724	Spacer, Adjustable (Front)
8	759213	Tube, Water Fill
9	489049	Screw IO-12 x 1/2
10	756564	Mounting Bracket, Grid (2)
12	489443	Screw
13	585853	Shelf, Water Pan
15	759109	Hose, Overflow
16	596037	Screw, IO-32 x 1/2"
17	2174725	Spacer, Fixed (Rear)
18	2174727	Spacer, Fixed (Side)
19	2174750	Harness, Grid
20	587662	Clamp
21	681676	Nut, Wing
22	841707	Insert
23	627018	Nut & Sleeve Assembly
24	758488	Harness, Light
25	758490	Bracket, Lamp
26	681611	Thumbscrew
27	745362	Bulb
28	2174752	Grid Assembly (Complete)
29	758489	Shield, Light
37	681245	Washer
38	2165477	Adapter
39	4200970	Wire, Grid Cutter
41	593171	Panel, Grid
42	681534	Thumbscrew, IO-32 x 5/8"
43	756659	Pan
44	681419	Thumbscrew, 10 x 1/2"
45	759043	Stopper, Water Pan

EVAPORATOR, CUTTER GRID & WATER



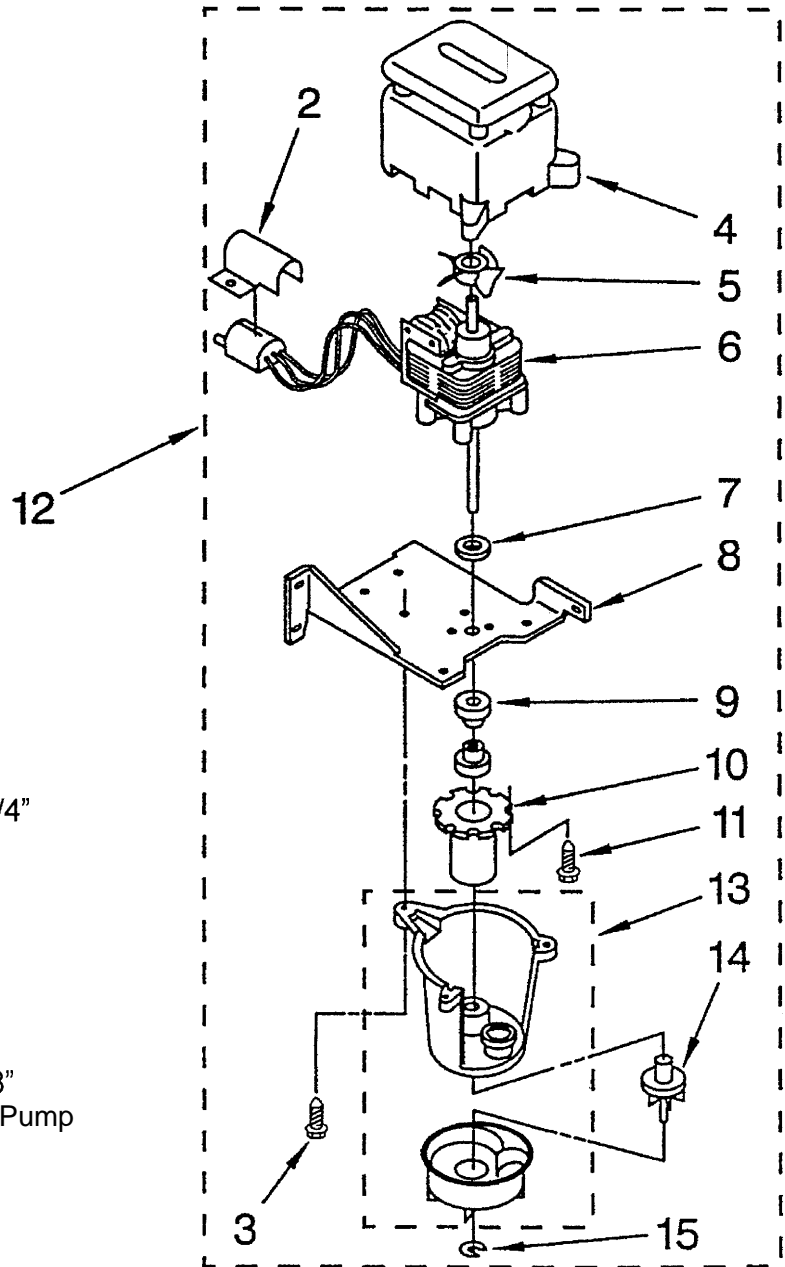
ESCUTCHEON & CONTROL COMPONENTS WITH PARTS LIST (starting with **Serial #1181341**)



<u>Ref #</u>	<u>Part #</u>	<u>Description</u>	<u>Ref #</u>	<u>Part #</u>	<u>Description</u>
2	2165483	Transformer	13	681245	Washer
3	2165530	Enclosure, Rear	14	487909	Screw, #* x 1/2"
4	2181045	Switch, Service	15	681036	Screw
5	2 172846	Bracket, Control	19	758567	Grid Harness
7	595005	Screw, 8-32 x 1/4"	20	756880	Knob
9	759000	Escutcheon	21	759123	Latch
11	759308	Thermostat, Evaporator	22	680964	Screw, 8-32 x 1/2"
12	759309	Thermostat, Bin Control	24	593736	Escutcheon Cup

WATER PUMP COMPONENTS

WITH PARTS LIST (starting with **Serial #1181341**)



<u>Ref #</u>	<u>Part #</u>	<u>Description</u>
2	756124	Plug Cover
3	681391	Screw, #8-18 x 3/4"
4	583155	Motor Housing
5	587096	Fan Blade
6	588572	Pump Motor
7	593060	Washer
8	756122	Pump Bracket
9	596016	Grommet (2)
10	593229	Sleeve
11	681390	Screw, 8-32 x 3/8"
12	756782	Complete Water Pump
13	569607	Pump Housing
14	569513	Impeller
15	681301	Retainer Ring

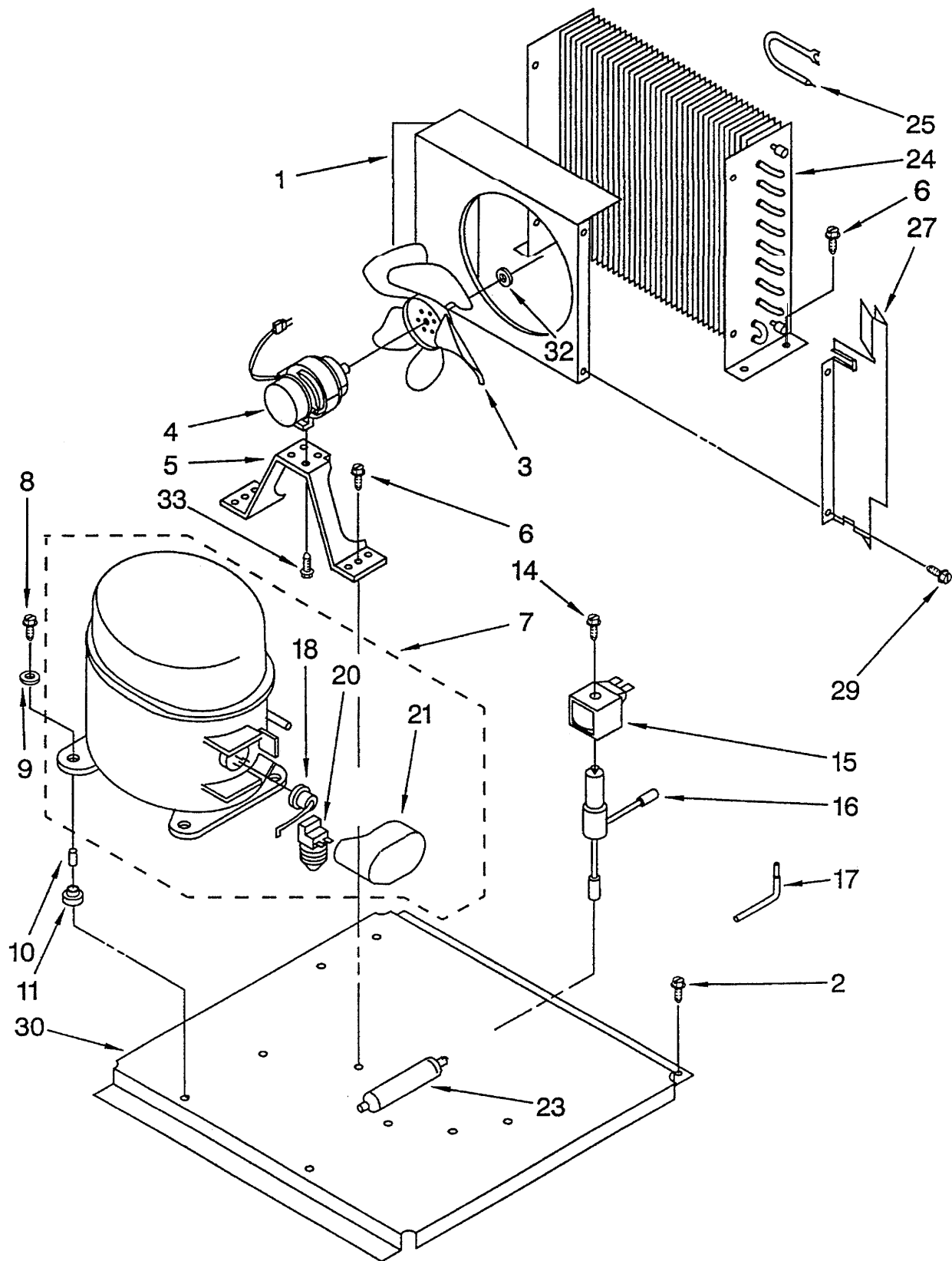


UNIT AREA COMPONENTS PART LIST

(Starting with Serial **#1** 181341)

<u>Ref #</u>	<u>Part #</u>	<u>Description</u>
1	2180948	Shroud
2	680811	Screw
3	572728	Blade, Fan
4	1108089	Motor, Fan
5	560817	Bracket
6	681305	Screw, 1/4-20 x 1/2" (6)
7	4387773	Compressor (FGS60)
8	680233	Screw (4)
9	595230	Washer (4)
10	585564	Sleeve (4)
11	596355	Grommet (4)
14	489472	Screw
15	759112	Coil, Solenoid
16	759113	Valve, Body
17	2154109	Tube, Process
18	4387766	Overload/Relay Assembly
20	4387766	Overload/Relay Assembly
21	2162358	Cover, Terminal
23	4387019	Drier
24	2180808	Condenser
25	2180807	Accumulator
27	758811	Deflector, Front
29	681167	Screw, 8 x 3/8
30	2180938	Base, Unit
32	681650	Conical Washer
33	489199	1/4-20 Hex Screw
34	3111270	Capacitor (Not Shown)

UNIT AREA COMPONENTS (Starting w/ Serial

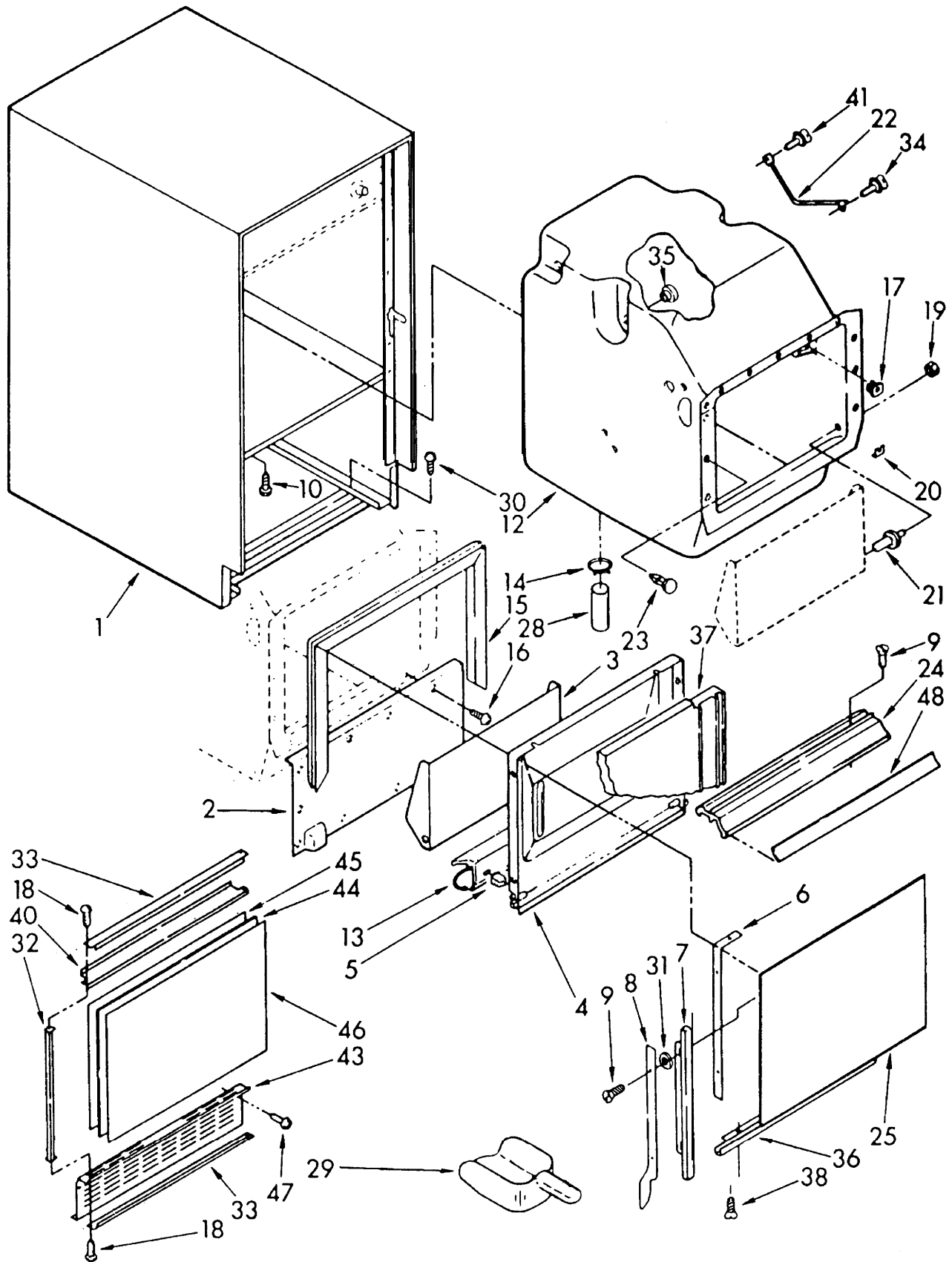


CABINET, LINER & DOOR PARTS LIST

(Prior to Serial **#1** 181341)

<u>Ref #</u>	<u>Part #</u>	<u>Description</u>
1.	758848	Shell
2.	758652	Front, Shell
3.	756330	Door, Inner Bin
4.	819361	Liner, Door
5.	758652	Plug, Hinge
6.	593104	Strip, Tapping
7.	758748	Trim, Door - RS
	758748	Trim, Door - LS
8.	593184	Rail, RS
	593185	Rail, LS
9.	681459	Screw, 8-32 x 1/2
10.	488437	Screw, Harness - Ground
12.	756350	Liner
13.	758169	Gasket, Bottom
14.	596023	Clamp
15.	758921	Gasket
16.	965173	Screw, 8-32 x 3/8
17.	596807	Grommet
18.	965173	Screw
19.	681542	Nut, 1/4 Hex
20.	758492	Washer, Slotted
21.	758220	Stud
22.	561814	Well, Bin Thermostat
23.	596605	Clip, Panel
24.	756662	Pull, Door
25.	758888	Panel, Exterior
28.	598894	Connector, Hose
29.	585158	scoop
30.	241428	Screw, #10-32 x 3/3
31.	681613	Plastic, Washer
32.	758713	Trim, Front Panel
33.	758716	Trim, Front Panel
34.	680930	Thumbscrew, #10-1/2
35.	596715	Well Nut
36.	755677	Trim, Door (lower)
37.	758754	Insulation, Door
38.	681196	Screw
40.	758718	Support, Front Panel
41.	681534	Thumbscrew
43.	758769	Grille, Front Panel
44.	758770	Filler Panel
45.	75877 1	Panel inner
46.	758889	Panel, Exterior
47.	488661	Screw
48.	758901	Insert, Handle

CABINET, LINER & DOOR (Prior to Serial #1181341)

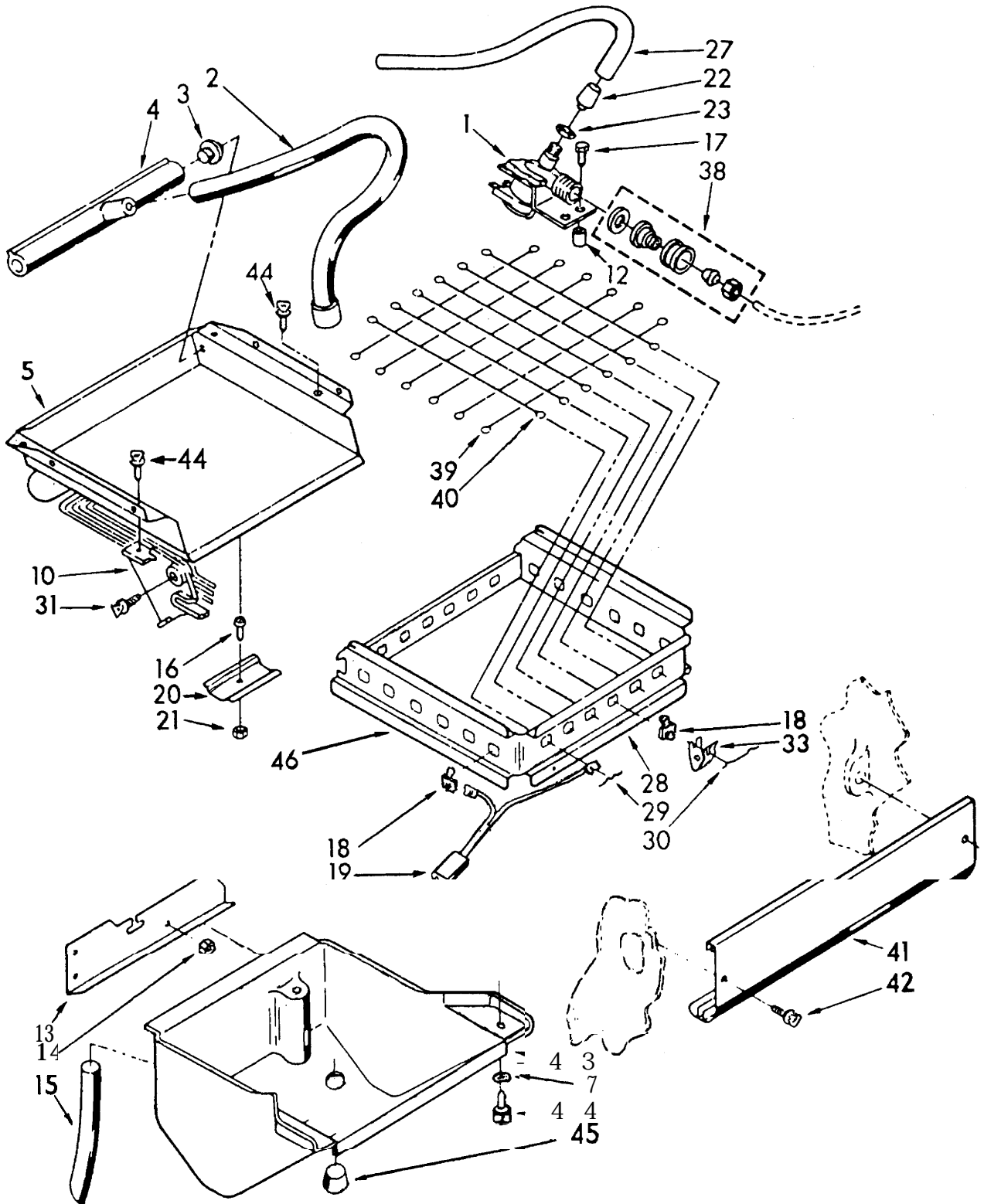


EVAPORATOR, CUTTER GRID & WATER SYSTEM PARTS - PARTS LIST

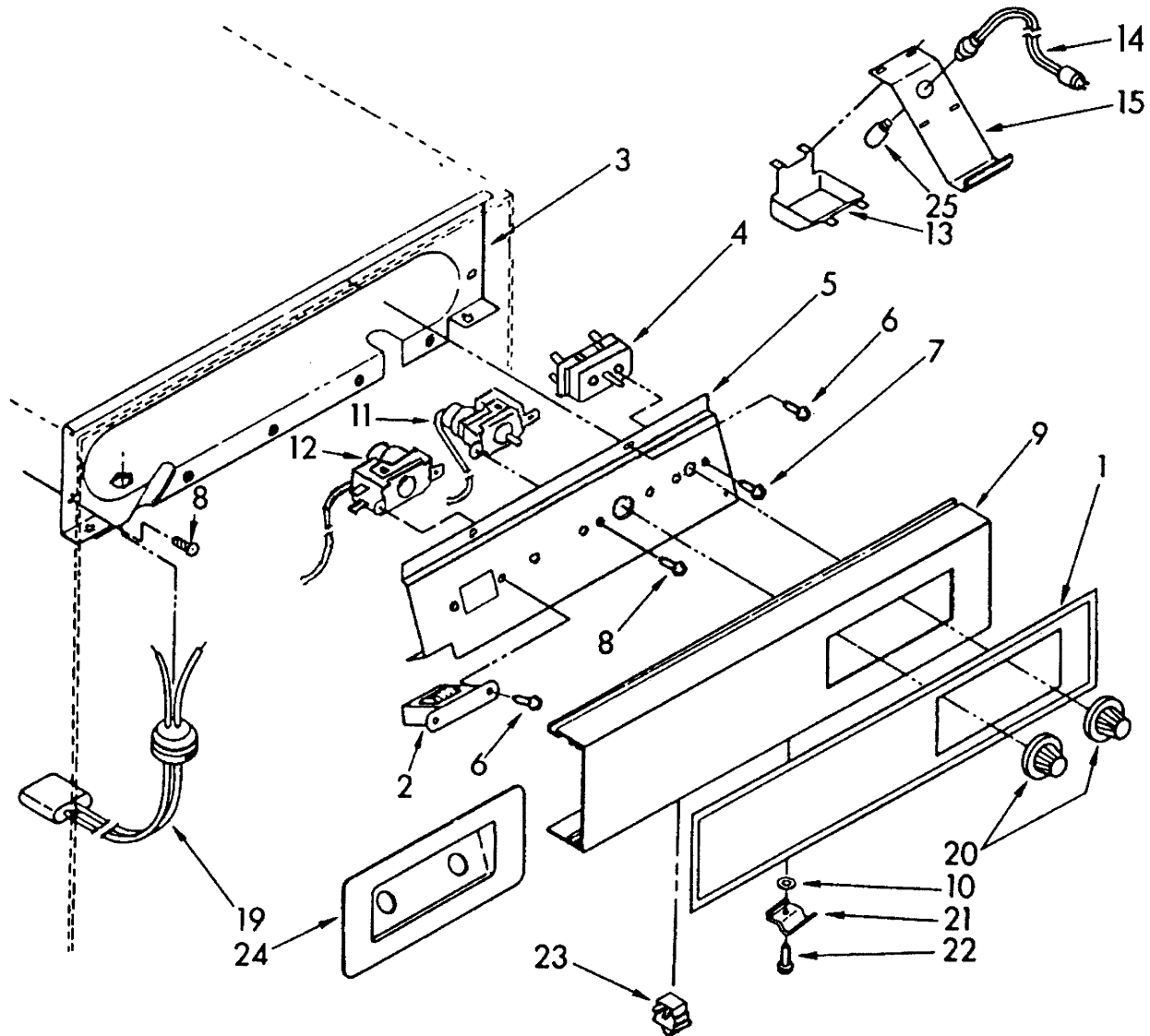
(Prior to Serial **#1181341**)

<u>Ref #</u>	<u>Part #</u>	<u>Description</u>
1	757433	Water Valve, Complete
2	585856	Tube, Plastic
3	758597	Plug
4	585813	Dispenser, Water
5	758028	Evaporator
7	681245	Washer
10	756564	Mounting Bracket, Grid
12	758737	Spacer
13	585853	Shelf, Water Pan
14	681365	Nut, Cap
15	593369	Hose, Over flow
16	596037	Screw, IO-32 x 1/2"
17	681688	Screw, 1/4-20 x 1-3/4
18	598277	Insulator
19	587639	Plug, Grid
20	564064	Clamp
21	487836	Nut, Hex
22	841707	insert
23	978047	Nut & Sleeve Assy
27	1112556	Tube, Plastic
28	N/A	Frame, Grid (not a serviceable part)
29	278744	Pin
30	278745	Pin
31	681611	Thumbscrew
33	759021	Clip, Tension
38	533238	Adapter
39	588048	Wire, Grid Cutter
40	588109	Wire, Grid Cutter
41	593171	Panel, Grid
42	681534	Thumbscrew, IO-42 x 5/8"
43	756659	Pan
44	681534	Thumbscrew, 10 x 1/2"
45	759043	Stopper, Water Pan
46	4200970	Complete Grid Assy.

EVAPORATOR, CUTTER GRID & WATER



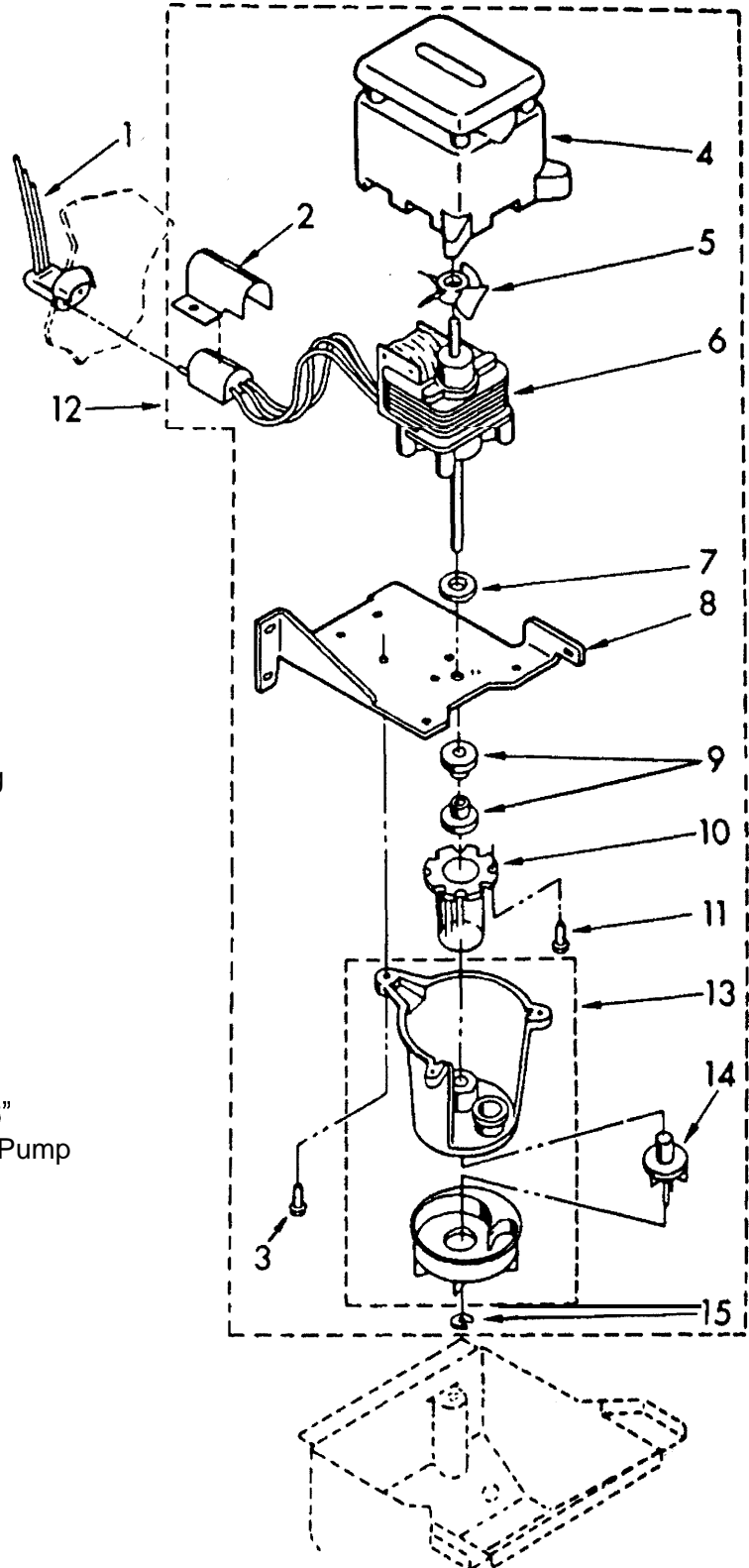
ESCUTCHEON & CONTROL COMPONENTS WITH PARTS LIST (Prior to **Serial#1181341**)



<u>Ref #</u>	<u>Part #</u>	<u>Description</u>	<u>Ref #</u>	<u>Part #</u>	<u>Description</u>
1	758903	Decal, Escutcheon	12	4318268	Thermostat, Bin Control
2	758414	Transformer	13	758489	Lamp Shield
3	756664	Escutcheon, Panel	14	758488	Light Harness
4	593139	Switch, Service	15	758490	Lamp Bracket
5	756341	Bracket, Control	19	758567	Grid Harness
6	965173	Screw, 8-15 x 3/8"	20	756880	Knob
7	486579	Screw, 8-42 x 1/4"	21	759123	Latch
8	488437	Screw	22	487246	Screw, 8-42 x 1/2"
9	759000	Escutcheon	23	1118894	Switch
10	681245	Washer	24	593736	Escutcheon Cup
11	598235	Thermostat, Evaporator	25	676304	Bulb

WATER PUMP COMPONENTS

WITH PARTS LIST (Prior to Serial #1181341)



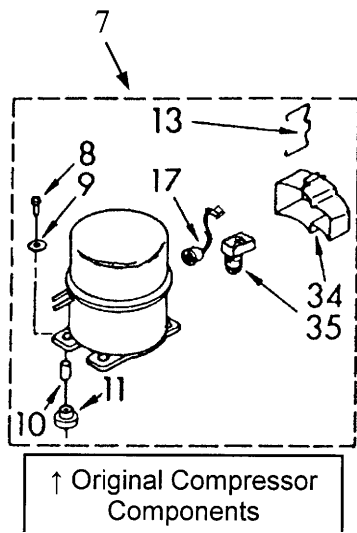
<u>Ref #</u>	<u>Part #</u>	<u>Description</u>
1	569434	Pump Lead / Plug
2	756124	Plug Cover
3	681391	Screw
4	583155	Motor Housing
5	587096	Fan Blade
6	588572	Pump Motor
7	593060	Washer
8	756122	Pump Bracket
9	596016	Grommet
10	593229	Sleeve
11	681390	Screw, 8-42 x 3/8"
12	756782	Complete Water Pump
13	569607	Pump Housing
14	569513	Impeller
15	681301	Retainer Ring

UNIT AREA COMPONENTS PART LIST

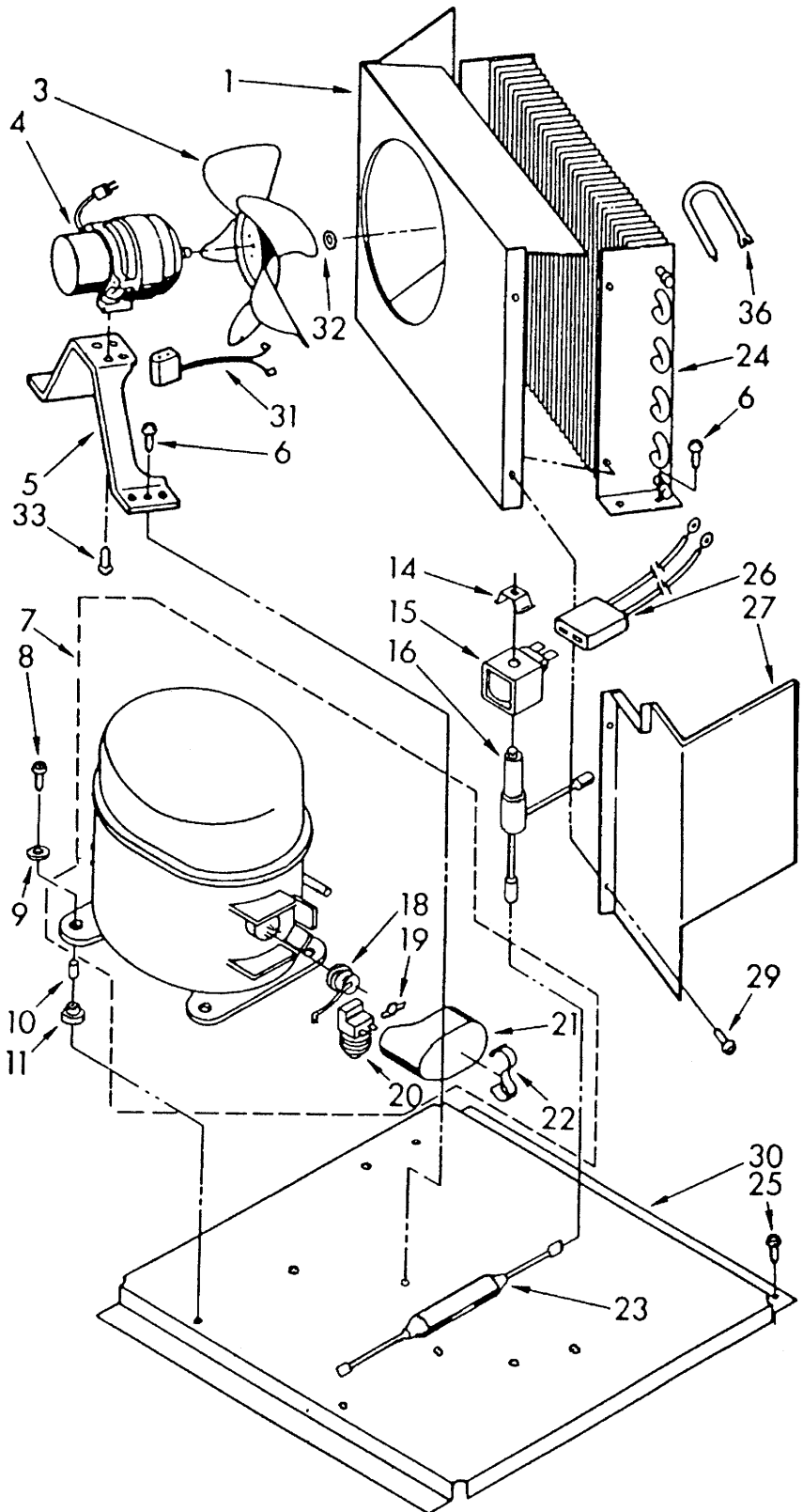
(Prior to Serial **#1181341**)

Ref #	Part #	<u>Description</u>
1	757955	Shroud
3	978655	Blade, Fan
4	978483	Motor, Fan
5	755339	Bracket
6	680198	Screw, 1/4-20 x 1/2 (5)
7	4387474	Compressor
8	680233	Screw
9	486645	Washer
10	482739	Sleeve
11	553583	Grommet
13	938384	Clamp
14	564234	Clamp, Coil Retainer
15	588205	Coil, Solenoid
16	598086	Valve Body
17	819100	Overload / Relay
18	3110140	Overload (For Service Comp AE3414A)
19	549086	Spring
20	3110170	Relay (For Service Comp AE3414A)
21	549336	Case
22	549342	Strap, Bale
23	3014230	Filter-Drier, High Side
24	756299	Condenser
25	241428	Screw
26	587971	Harness, Coil
27	758811	Front Deflector
29	488661	Screw
30	2180938	Unit Base
31	583663	Plug, Fan Motor
32	681650	Conical Washer
33	488868	Screw, 8-46 x 1/2
34	1108115	Cover, Terminal
35	819100	Overload / Relay
36	756298	Accumulator

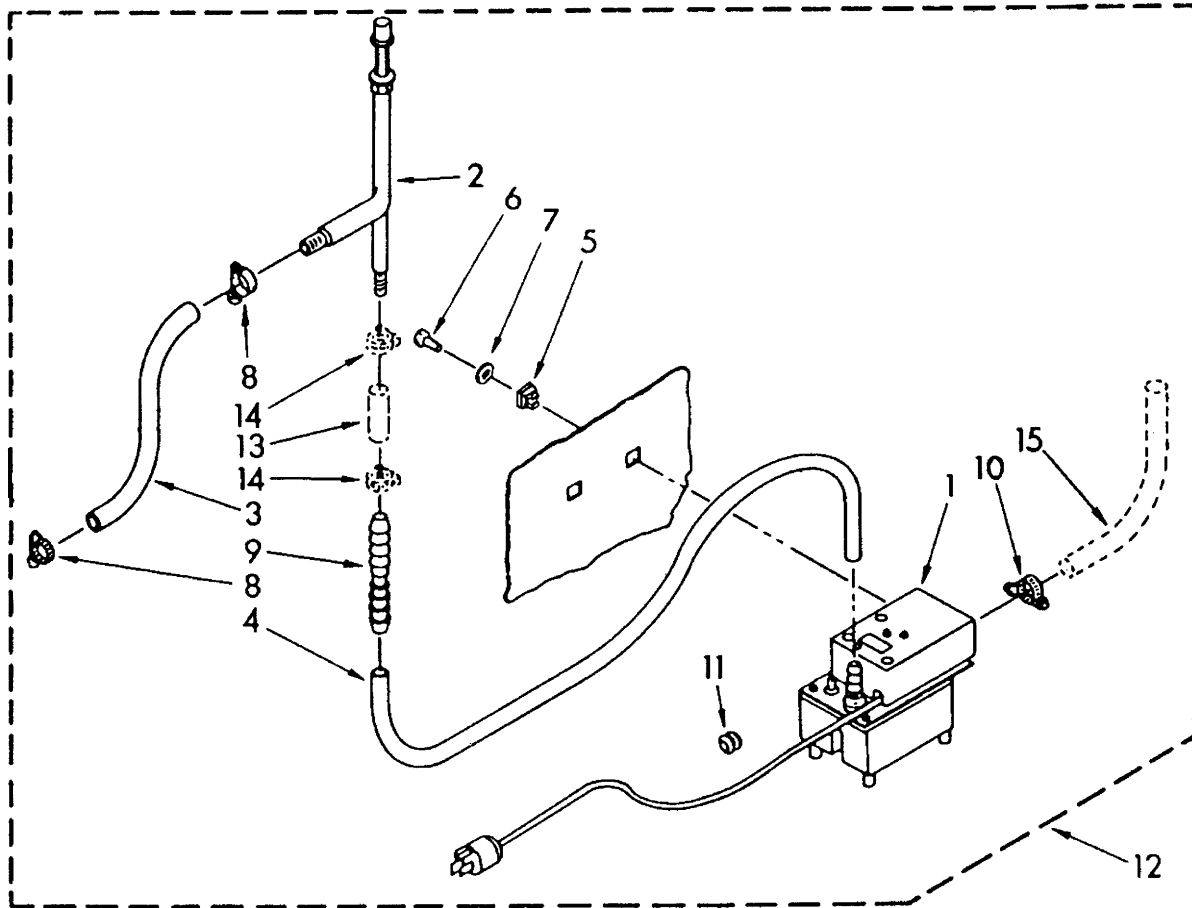
UNIT AREA COMPONENTS (Prior to Serial #1181341)



Possible Service Compressor Components →



CONDENSATE DRAIN PUMP COMPONENTS WITH PARTS LIST



<u>Ref #</u>	<u>Part #</u>	<u>Description</u>
1	4165594	Service Sump Pump (Warrant Replacement Only)
2	300096	Air Gap
3	770966	Hose, 7/8" I.D. x 20"
4	758915	Hose, 3/8" I.D. x 14-3/8"
5	596807	Grommet
6	488568	Screw, S.M. #8-15 x 3/4"
7	681254	Washer
8	596572	Hose Clamp
9	758918	Connector, Hose

<u>Ref #</u>	<u>Part #</u>	<u>Description</u>
10	65349	Hose Clamp
11	758919	Bushing, Cord
12	4165594	Service Sump Pump (Warrant Replacement Only)
FOLLOWING PARTS NOT SUPPLIED WITH PUMP		
13	598894	Hose Connector
14	596023	Hose Clamp
15	759019	Overflow Hose