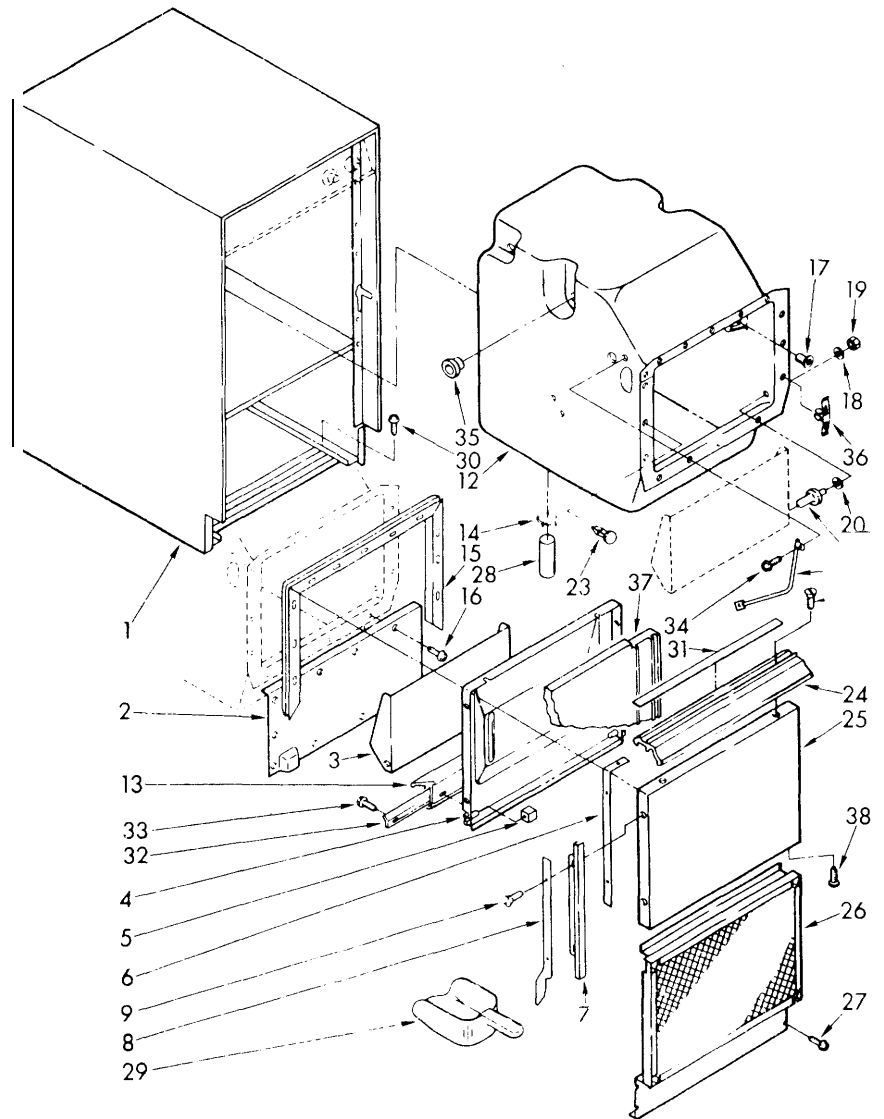


505IS and 505ISC CABINET, LINER and DOOR COMPONENTS

| Illus. No. | Part No. | Description |
|------------|----------|---|
| 1 | 757942 | Shell |
| 2 | 756563 | Front, Shell |
| 3 | 756330 | Door, Inner Bin |
| 4 | 978630 | Liner, Door |
| 5 | 593192 | Plug, Hinge |
| 6 | 593104 | Strip, Tapping (2) |
| 7 | | TrimDoor: |
| | 758748 | Right Side |
| | 755676 | Left Side |
| | 755677 | Lower |
| 8 | 593184 | Rail, R. S. |
| | 593185 | Rail, L. S. |
| 9 | 681459 | Screw, 8-32 x 5/8 (6) |
| 12 | 756350 | Liner (Includes Illus. 17, 18, 19, 20 & 21) |
| 13 | 756347 | Gasket, Bottom |
| 14 | 596023 | Clamp (2) |
| 15 | 756663 | Gasket |
| 16 | 488113 | Screw, 8-32 x 3/8 |
| 17 | 680982 | Nut, Molly |
| 18 | 680902 | Washer |
| 19 | 487541 | Nut, 1/4 Hex |
| 20 | 596005 | Washer (2) |
| 21 | 876827 | Stud (2) |
| 22 | 561814 | Well, Bin Thermostat |
| 23 | 596788 | Clip, Panel (2) |
| 24 | 756662 | Pull, Door |
| 25 | | Panel, Exterior: |
| | 755340 | Brushed Chrome |
| | 755364 | White & Black |
| | 755371 | Almond & Harvest Gold |
| 26 | 876926 | Grille |
| 27 | 681308 | Screw, 8-32 x 1/2 |
| 28 | 598894 | Connector, Hose |
| 29 | 585158 | scoop |
| 30 | 680811 | Screw, 10-32 x 3/8 |
| 31 | 813528 | Insert, Handle |
| 32 | 587960 | Strip, Gasket |
| 33 | 681149 | Screw, 8-15 x 1/2 |
| 34 | 681534 | Thumbscrew, 10-1/2 |
| 35 | 596715 | Well Nut |
| 36 | 596671 | Clip, Panel (14) |
| 37 | 758754 | Insulation, Door |
| 38 | 681196 | Screw |

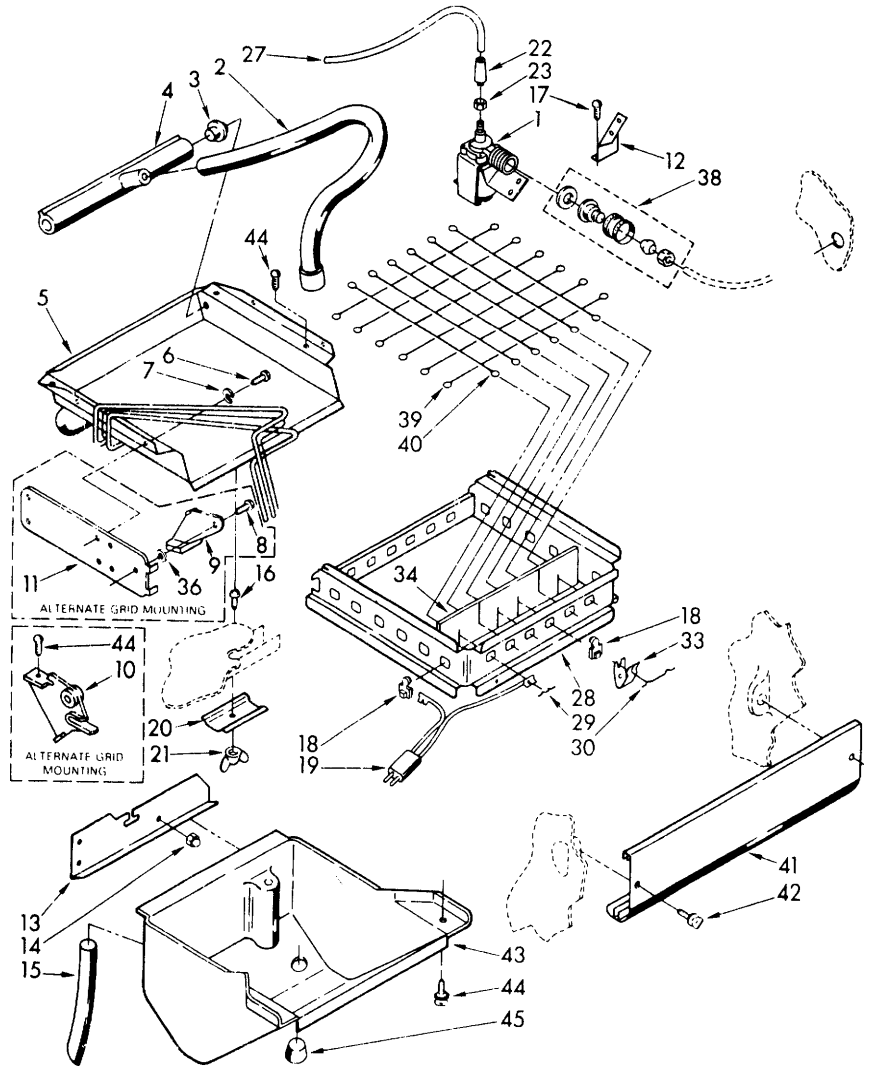


Following Parts Not Illustrated:

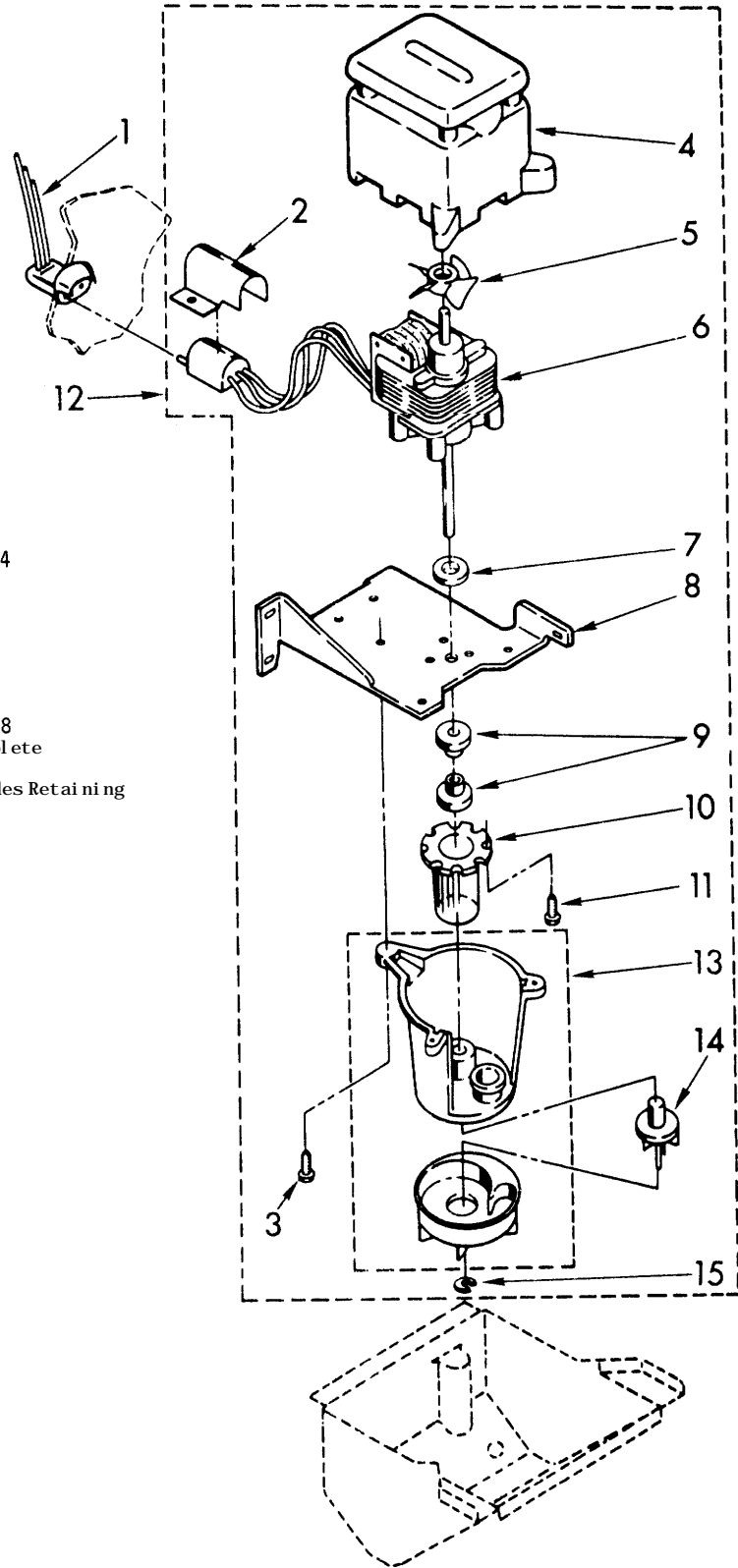
| Part No. | Description |
|----------|---|
| 799351 | Blend, Thinner (1 gal) |
| 279368 | Cement, Insulation (1 oz) |
| 505587 | Sealer, Mastic (1 qt) |
| 799833 | Kit, Evaporator Repair (Aluminum Epoxy) |
| 350942 | Primer, White (12 oz Spray Can) |
| 350941 | Leveler, Enamel (12 oz Spray Can) |
| 598894 | Sealer, Gum (22 pcs, 3/16" x 7") |
| 876305 | Kit, Insulation (5 pcs, 3" x 24" x 48") |
| 978025 | Valve, Access (1/4") |
| 978026 | Valve, Access (5/16") |
| 978027 | Valve, Access (3/8") |
| 978028 | Valve, Access (1/2") |
| 978029 | Valve, Access (5/8") |
| 978030 | Valve, Access (3/4") |
| 756638 | Instructions, Installation |
| 756637 | Instructions, Owner's |
| 877260 | List, Parts |

505IS 505ISC EVAPORATOR, ICE CUTTER GRID

| Illus. No. | Part No. | Description |
|------------|----------|----------------------------------|
| 1 | 627558 | Valve, Complete Water |
| 2 | 585856 | Tube, Plastic |
| 3 | 564061 | Plug (2) |
| 4 | 585813 | Dispenser, Water |
| 5 | 758028 | Evaporator |
| 6 | 595095 | Screw, 10-32 x 3/8 |
| 7 | 595261 | Lockwasher |
| 8 | 595098 | Screw, 10-32 x 1/2 |
| 9 | 819051 | Bracket, Grid Pan(2) |
| 10 | 756564 | Bracket, Grid Mounting (2) |
| 11 | 593114 | Rail, Evaporator (2) |
| 12 | 756343 | Bracket, Water Valve |
| 13 | 585853 | Shelf, Water Pan |
| 14 | 681365 | Nut, Acorn (3) |
| 15 | 593369 | Hose, Overflow |
| 16 | 596037 | Screw, 10-32 x 1/2 |
| 17 | 680198 | Screw, 1/4 x 20 x 1/2 |
| 18 | 598277 | Insulator (38) |
| 19 | 587639 | Cord, Grid |
| 20 | 564064 | Clamp |
| 21 | 487836 | Nut, Wing |
| 22 | a41707 | Insert |
| 23 | 978047 | Nut & Sleeve Assembly |
| 27 | 867200 | Tube, Plastic |
| 28 | 563887 | Frame, Grid |
| 29 | 278744 | Pin (17) |
| 30 | 278745 | Pin (4) |
| 33 | 564072 | Clip (19) |
| 34 | 563890 | Shield |
| 36 | 486260 | Washer (2) |
| 38 | 53323a | Adapter |
| 39 | 588048 | Kit (Incl. 9 Grid Cutter Wires) |
| 40 | 588109 | Kit (Incl. 10 Grid Cutter Wires) |
| 41 | 593171 | Panel, Grid |
| 42 | 680930 | Thumbscrew, 10-32 x 5/8 |
| 43 | 756659 | Pan |
| 44 | 681534 | Thumbscrew, 10 x 1/2 |
| 45 | 593572 | Stopper, Water Pan |

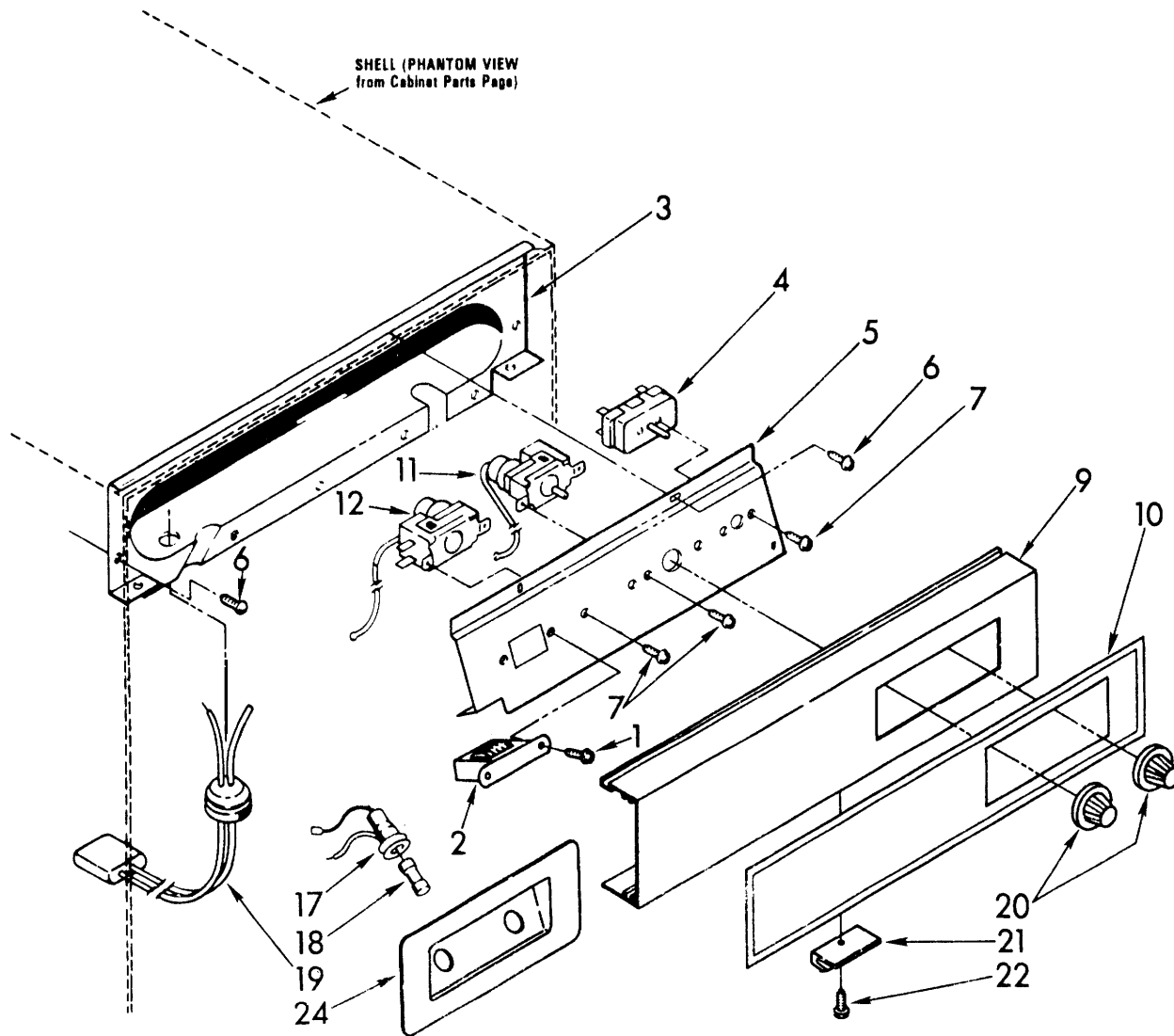


505IS and 505ISC PUMP COMPONENTS



| Item # | Part # | Description |
|--------|--------|--|
| 1 | 569434 | Plug, Pump |
| 2 | 756124 | Cover, Plug |
| 3 | 681391 | Screw, 8-18 x 3/4 |
| 4 | 593702 | Housing, Motor |
| 5 | 587096 | Blade, Fan |
| 6 | 588572 | Motor, Pump |
| 7 | 593060 | Washer |
| 8 | 756122 | Bracket, Pump |
| 9 | 596016 | Grommet (2) |
| 10 | 593229 | Sleeve |
| 11 | 681390 | Screw, 8-32 x 3/8 |
| 12 | 756782 | Water Pump, Complete |
| 13 | 569607 | Pump, Housing |
| 14 | 569513 | Impeller (Includes Retaining Ring, 15) |
| 15 | 681301 | Ring, Retainer |

505IS and 505ISC ESCUTCHEON AND CONTROL COMPONENTS



| Illus No. | Part No. | Description |
|-----------|----------|---------------------------------------|
| 1 | 681308 | Screw, 8-32 x 1/2 |
| 2 | 702386 | Transformer |
| 3 | 756664 | Escutcheon, panel |
| 4 | 593139 | Switch, service |
| 5 | 756341 | Bracket, control |
| 6 | 488113 | Screw, 8-15 x 3/8 |
| 7 | 486579 | Screw, 8-32 x 1/4 |
| 9 | 756666 | Escutcheon (includes 10, 21, 22 & 24) |
| 10 | 755360 | Decal, escutcheon |

| Illus No. | Part No. | Description |
|-----------|----------|-------------------------|
| 11 | 598235 | Thermostat, evaporator |
| 12 | 978746 | Thermostat, bin control |
| 17 | 596008 | Fuse holder |
| 18 | 596009 | Fuse |
| 19 | 587578 | Harness, grid |
| 20 | 756881 | Knob |
| 21 | 756660 | Latch |
| 22 | 487246 | Screw, 8-32 x 1/2 |
| 24 | 755361 | Cup, escutcheon |

505IS and 505ISC UNIT COMPONENTS

| Illus No. | Part No. | Description |
|-----------|---------------|---------------------------------------|
| 3 | 756878 | Shroud |
| 4 | 978655 978483 | Motor, Blade, Fan Fan |
| 5 | | |
| 6 | 680198 755339 | Bracket Screw, 1/4-20 x 1/2 (6) |
| 7 | 3-11-009-0 | Compressor |
| 8 | 680233 | Screw (4) |
| 9 | 595230 | Washer (4) |
| 10 | 482739 | Sleeve (4) |
| 11 | 553583 | Grommet (4) |
| 12 | 647887 | Cord, Power |
| 14 | 40512 | Clamp, Coil Retainer |
| 15 | 588205 | Coil, Solenoid |
| 16 | 598086 | Valve, Body |
| 18 | 813502 | Overload |
| 19 | 549086 | Spring |
| 20 | 989646 | Relay |
| 21 | 549505 | Case, Relay |
| 22 | 549342 | Cover Strap |
| 23 | 978246 | Drier |
| 24 | 756299 | Condenser |
| 26 | 587971 | Harness, Coil |
| 27 | 593519 | Deflector, Front |
| 28 | 487343 | Washer |
| 29 | 488661 | Screw, 8 x 3/8 |
| 30 | 756345 | Base, Unit |
| 31 | 583663 | Plug, Fan Motor |
| 32 | 595380 | Nut, Speed (Incl. w/Fan Motor) |
| 33 | 488868 | Screw, 8-36 x 1/2 (Incl. w/Fan Motor) |

