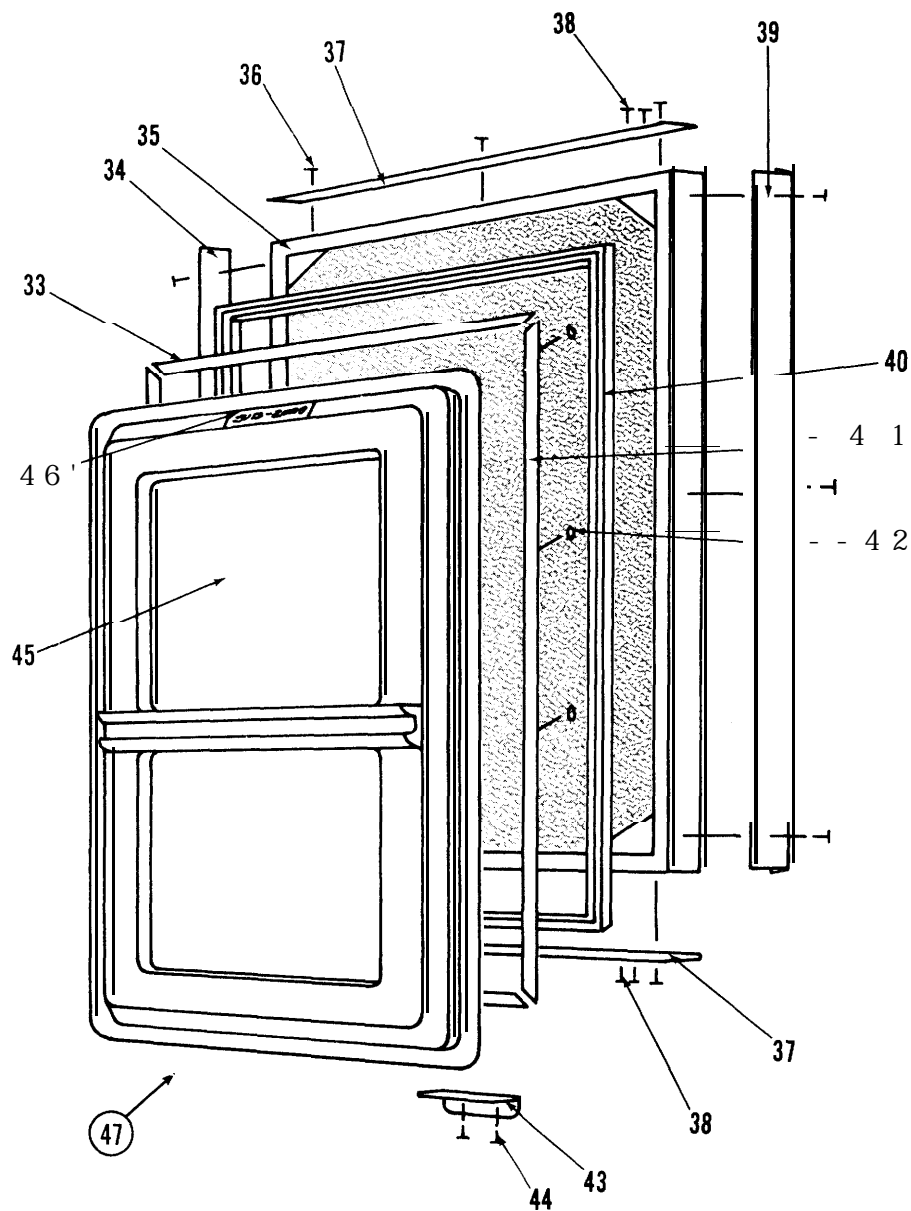


249 FF DOORS

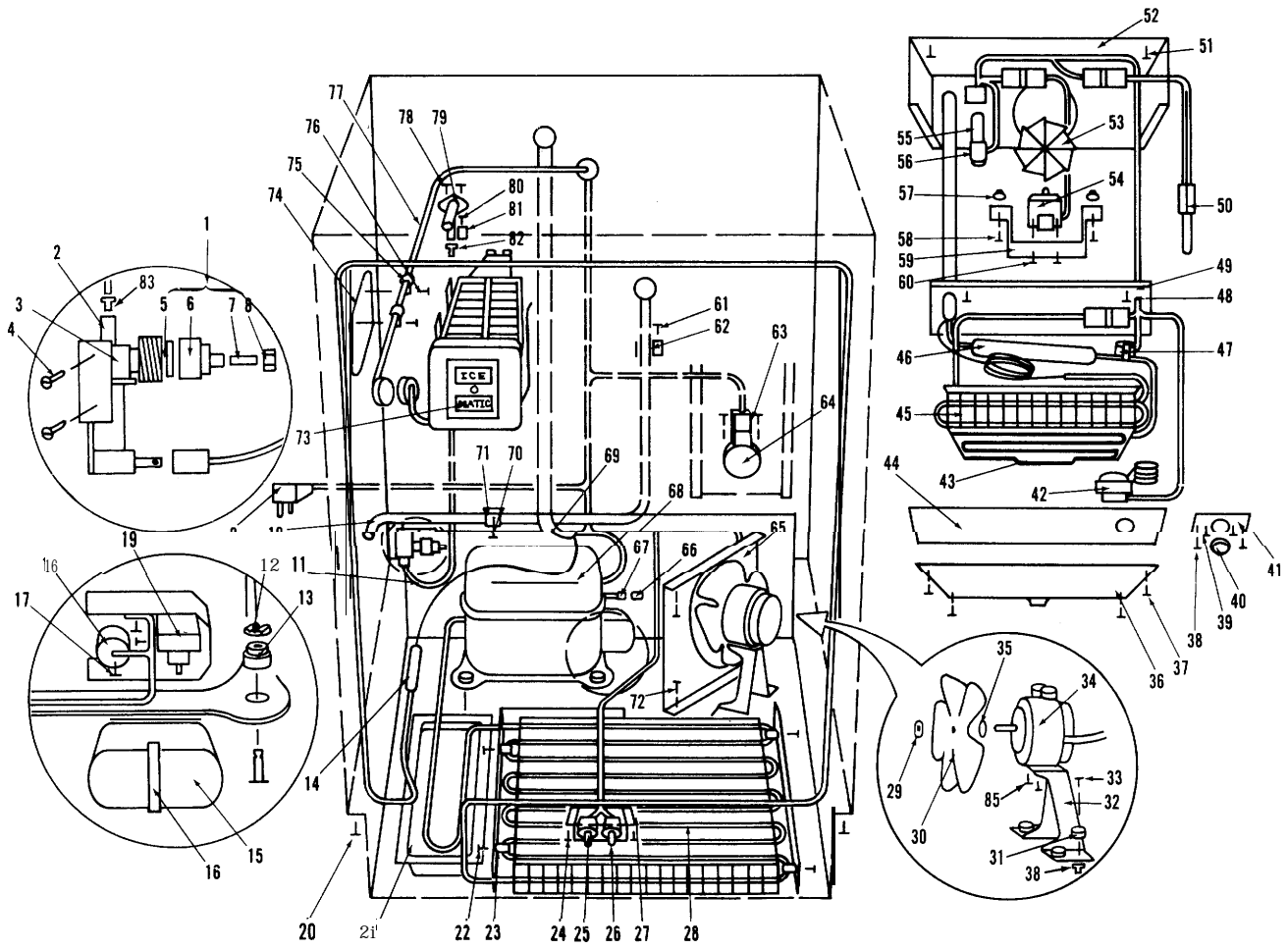


Item #	Part #	Description
33	3-42-018-0	Top & Bottom Gasket Retainer, 22.125
34	2-2188-02	Side Door Trim, 1.57 x 30-3/16
35	0-87013-0	Door Shell
36	6-20-004-0	Screw, #4-24 x 1/2 Truss Head
37	2-2188-07	Top & Bottom Door Trim, 1.57 x 23-13/16
38	6-11-002-0	Bolt, #10-24 x 3/8 Truss Head
39	2-2189-01	Door Handle, 2.195 x 30-3/16
40	3-21-018-0	Door Gasket, 23.313 x 29.688
41	3-42-021-0	Side Gasket Retainer, 29.188
42	6-20-041-0	Screw, #8 x 1/2 Slot Head Hex
43	0-18028-0	Switch Depressor, Black
44	6-20-023-0	Screw, #8-18 x 1/2 Hex Head
45	0-88046-0	Door Liner
46	3-58-001-0	Nameplate, 1-1/4 x 3-7/8
47	4-13-070-1	Complete Door Assembly, Right Hand
	4-13-070-2	Complete Door Assembly, Left Hand

249 FF SYSTEM VIEW

Item #	Part #	Description	Item #	Part #	Description
	3-52-011-0	Water Inlet Fitting Assembly	43	4-32-092-0	Defrost Heater Assembly
2	3-52-003-0	Icemaker Nut; Nylon, 1/4"	44	0-23148-0	Baffle
3	3-09-002-0	Solenoid Valve	45	3-13-001-0	Evaporator Coil, 2 x 6 x 11-1/8"
4	6-20-006-0	Screw, #8-32 x 1/2 Pan Head	46	3-01-101-0	Accumulator, 1-1/4 x 8-7/8"
	3-21-003-0	Water Valve Gasket	47	4-32-093-0	Defrost Terminator Assembly
6	3-52-021-0	Water Valve Fitting	48	6-18-001-0	Pop Rivet, 1/8 Aluminum
7	3-52-022-0	Ball Sleeve	49	0-23203-0	Wire Channel & Evaporator Support
8	3-52-023-0	Compression Nut	50	3-01-332-0	Drain Tube Heater, 28.5"
	3-02-231-0	Black Power Cord	51	6-20-008-0	Screw, #8-15 x 1/2 Truss Head
10	1-6014-00	Drain Tube, 5/8" x 6'	52	0-23185-0	Blower Wrapper
11	2-6006-06	Plastic Water Tube, 30"	53	3-15-014-0	Fan Blade; 10 Prop, 4"
12	3-45-004-0	Compressor Clip, 7/8 x 3/16"	54	4-20-016-0	Freezer Fan Motor, 23 Watt
13	3-15-001-0	Rubber Mount, 5/8 x 1-1/4"	55	3-03-006-0	Light Bulb; 25 Watt, 1 x 2-1/2"
14	3-01-405-0	Drier, 1/4 x .083"	56	3-05-001-0	Light Socket, 3/4 Single
15	3-11-062-0	Terminal Cover	57	6-15-009-0	Wellnut, #10-32"
16	3-11-063-0	Terminal Cover Strap	58	6-11-012-0	Bolt, #10-32 x 5/8 Truss Head
17	6-11-034-0	Screw, Slot Head	59	0-23221-0	Evaporator Fan Bracket
18	3-11-070-0	Overload (MRP40AMK-34)	60	6-11-027-0	Bolt, #10-32 x 1/4 Round Head
19	3-11-069-0	Start Relay (9660-041-161)	61	6-12-005-0	Plastic Tube Clamp, 5/8"
20	6-20-001-0	Screw, #10-12 x 3/4 Pan Head	62	6-20-001-0	Screw, #10-12 x 3/4 Pan Head
21	0-16315-0	Drain Pan	63	6-20-034-0	Screw, #6-20 x 1/2 Pan Head
22	6-20-002-0	Screw, #7-16 x 1/2 Pan Head	64	3-08-105-0	Defrost Timer
23	6-12-001-0	Tube Clamp; Steel w/Rub, 5/16"	65	0-86132-0	Unit Fan Shroud
24	6-20-002-0	Screw, #7-16 x 1/2 Pan Head	66	3-09-008-0	Valve Cap
25	3-06-002-0	Door Switch, Normally Open (Fan)	67	3-09-001-0	Base Valve
26	3-06-003-0	Door Switch, Normally Closed (Light)	68	3-11-068-0	Compressor (AE1360D)
27	0-86133-0	Double Switch Bracket	69	4-25-051-0	Heat Exchanger Assembly
28	3-12-001-0	Condenser, 1 x 9-7/8 x 12"	70	6-20-001-0	Screw, #10-12 x 3/4 Pan Head
29	6-15-041-0	Nut, 1/4-20"	71	6-12-005-0	Plastic Tube Clamp, 5/8"
30	3-15-003-0	Fan Blade; 5 Prop, 6-3/4"	72	6-18-001-0	Pop Rivet, 1/8 Aluminum
31	3-22-016-0	Grommet, 3/16 x 7/16 x 9/32"	73	3-14-007-0	Icemaker (Use 3-14-008-0 in Canada Only)
32	2-8016-02	Condenser Fan Bracket, 2-1/4"	74	0-93102-0	Icemaker Plate
33	6-20-043-0	Screw, #8-18 x 1/2"	75	6-12-006-0	Plastic Tube Clamp, 1/2"
34	3-15-028-0	Condenser Fan Motor; 1.5 Watt, 4 Pole	76	6-20-013-0	Screw, #8 x 3/4 PH Truss Head
35	3-21-034-0	Neoprene Silencer, 7/8"	77	4-32-089-0	Icemaker Wiring Harness
36	0-16220-0	Blower Cover	78	6-20-008-0	Screw, #8-15 x 1/2 Truss Head
37	6-20-008-0	Screw, #8-15 x 1/2 Truss Head	79	2-6008-01	Water Inlet Tube, 4.5"
38	3-52-005-0	Brass Insert	80	6-20-033-0	Screw, #8-18 x 3/8 Pan Head
39	6-11-005-0	Bolt, #8-32 x 3/8 Truss Head	81	6-12-012-0	Tube Clamp, 3/8 Steel
40	3-01-241-0	Control Knob	82	3-52-005-0	Brass Insert
41	3-01-202-0	Faceplate, 2-5/16 x 3"	83	3-52-012-0	Brass Insert, 3/16 x 9/32"
42	3-01-206-0	Control	84	2-6001-03	Gasket Seat Heater Tube
			85	6-20-049-0	Screw, #8-32 x 3/8 T25 Slotted Hex

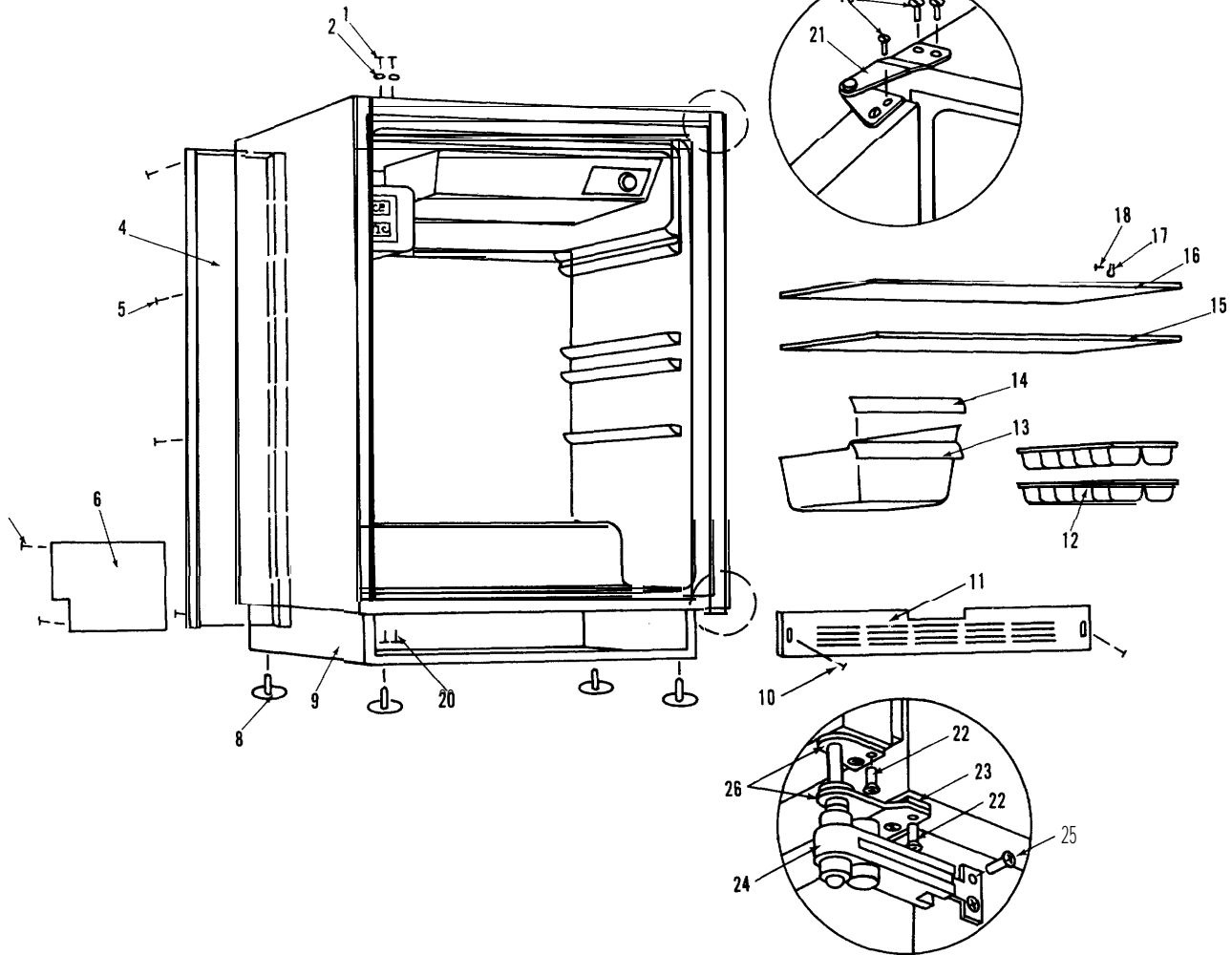
249 FF SYSTEM VIEW



249 FF COSMETIC VIEW

<u>Item #</u>	<u>Part #</u>	<u>Description</u>
1	6-11-001-0	Bolt, #10-24 x 1/2 Flat Head
2	6-24-001-0	Finish Washer, #10 Stainless Steel
4	0-86129-0	Back Cover
5	6-20-023-0	Screw, #8-18 x 1/2 Hex Head
6	0-86130-0	Back Shroud
7	6-20-023-0	Screw, #8-18 x 1/2 Hex Head
8	3-57-001-0	Leveling Leg, 1/4-20 x 1-1/2
9	4-11-012-0	Base Assembly
10	6-20-008-0	Screw, #8-15 x 1/2 Truss Head
11	0-86034-0	Kickplate, 23-7/8
12	3-14-003-0	Ice Tray, 4-3/8 x 10-1/2 (Only in Units Without I/M)
13	4-18-013-0	Ice Bucket Assembly
14	3-41-004-0	Ice Bucket Handle, 1 x 7-3/8
15	3-60-004-0	Wire Shelf, 14-1/2 x 20-1/4
16	3-60-004-0	Wire Shelf, 14-1/2 x 20-1/4
17	6-12-003-0	Plastic Tube Clamp, 1/4"
18	6-20-008-0	Screw, #8-15 x 1/2 Truss Head
19	6-11-001-0	Bolt, #10-24 x 1/2 Flat Head
20	6-11-002-0	Bolt, #10-24 x 3/8 Truss Head
21	3-54-002-0	Door Hinge, Upper Left or Lower Right
	3-54-001-0	Door Hinge, Upper Right or Lower Left
22	6-11-001-0	Bolt, #10-24 x 1/2 Flat Head
23	0-86169-0	Shim
24	3-54-081-0	Door Closer
25	6-20-005-0	Screw, #10-12 x 1/2
26	3-54-079-0	Bottom Door Hinge, Right Hand
	3-54-080-0	Bottom Door Hinge, Left Hand

249 FF COSMETIC VIEW



Starting with Serial No. 356747