

SECTION 10

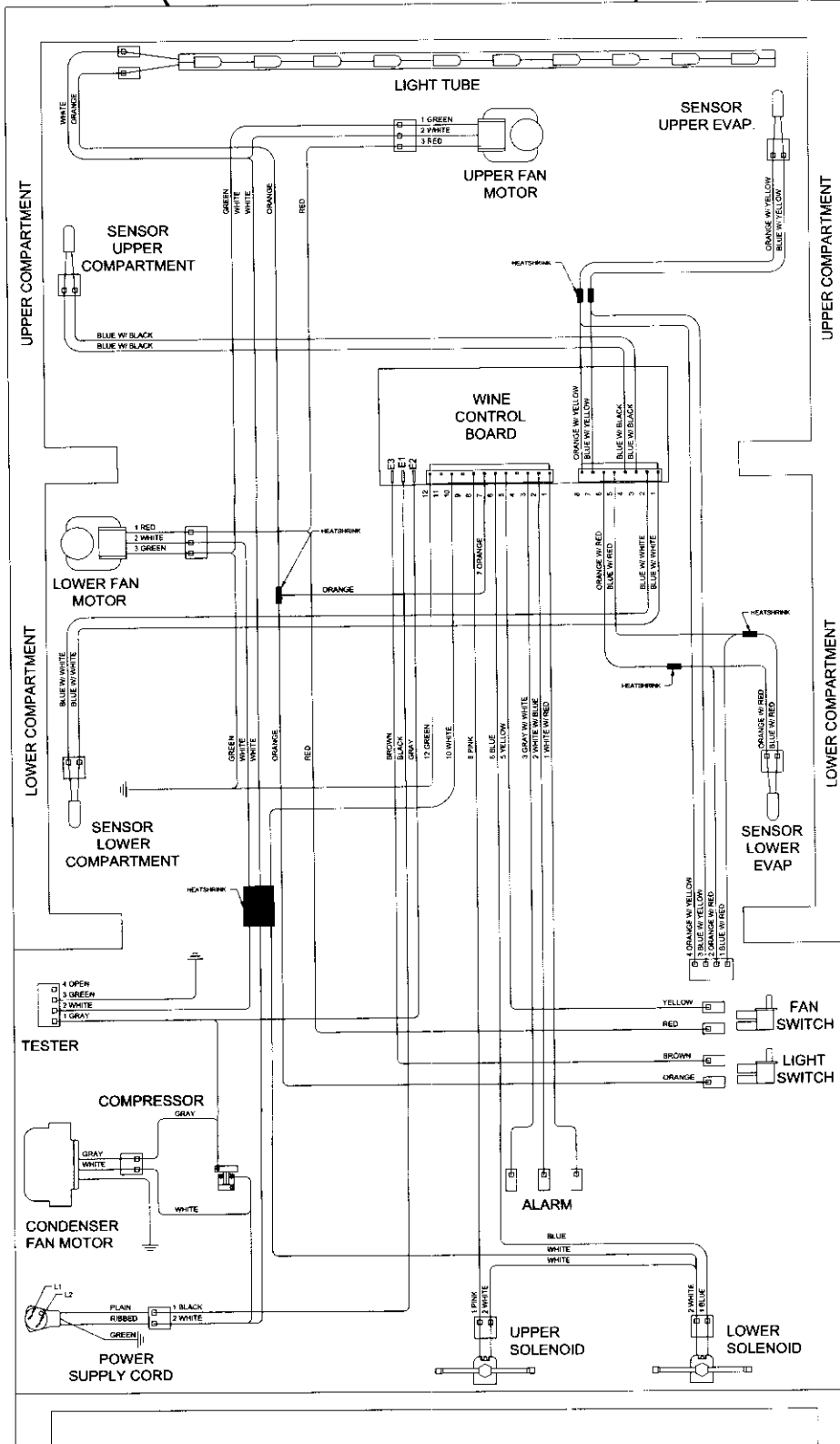
WIRING DIAGRAMS & SCHEMATICS

NOTE: Due to our continuous improvement program, it is recommended to always use the wiring diagram & schematic supplied with the unit, located in the envelope in the compressor area. This section is for referencing prior to servicing or if the wiring diagram & schematic are missing from the unit.

WIRING DIAGRAM MODEL 424 (Prior to Serial #1944319)

WARNING

-This wiring information is provided for use by qualified service personnel only.
-Disconnect appliance from electrical supply before beginning service.
-Be sure all grounding devices are connected when service is complete.
-Failure to observe the above warnings may result in severe electrical shock.



400 SERIES CONTROL BOARD SUMMARY/LAYOUT

CIRCUIT	DESCRIPTION	FUNCTION	COLOR
J3	120 VOLT CIRCUITS		
E1	POWER INTO BOARD		BLACK
E2	COMPRESSOR		GRAY
E3	POWERS LIGHTS		BROWN
J3	GROUND		GREEN
P12	EMPTY		WHITE
P10	NEUTRAL		WHITE
P8	EMPTY		PINK
P7	UPPER SOLENOID VALVE		ORANGE
P6	LOWER SOLENOID VALVE		BLUE
P5	EVAPORATOR FANS		YELLOW
P4	EMPTY		
J3	LOW VOLTAGE CIRCUITS		
A3	ALARM CIRCUIT	FOR HOME ALARMS	WHIT/RED
P1	ALARM CIRCUIT - NORMALLY OPEN	FOR HOME ALARMS	WHIT/BLUE
P2	ALARM CIRCUIT - NORMALLY CLOSED	FOR HOME ALARMS	GRAY/WHIT
P3	ALARM CIRCUIT - COMMON	FOR HOME ALARMS	GRAY/WHIT
J2	THERMISTOR CIRCUITS		
P1	LOWER CABINET	SENSES TEMPERATURE	BLUE/WHITE
P2	UPPER CABINET	SENSES TEMPERATURE	BLUE/WHITE
P3	UPPER CABINET	SENSES TEMPERATURE	BLUE/BLACK
P4	UPPER CABINET	SENSES TEMPERATURE	BLUE/BLACK
P5	LOWER CABINET	SENSES TEMPERATURE	BLUE/RED
P6	LOWER CABINET	SENSES TEMPERATURE	ORANGE/RED
P7	UPPER EVAPORATOR	SENSES TEMPERATURE	BLUE/YELLOW
P8	UPPER EVAPORATOR	SENSES TEMPERATURE	ORANGE/YELL

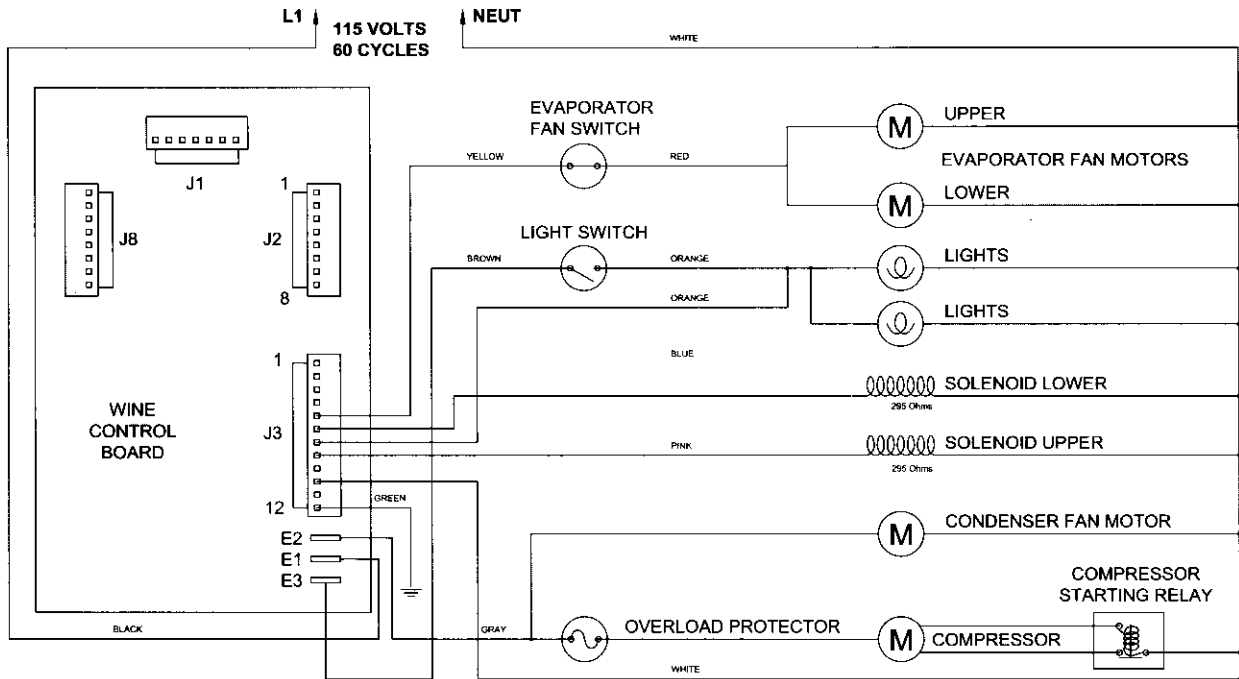
PART NUMBER 3756360 - Rev. C

**WIRING SCHEMATIC
MODEL 424
(Prior to Serial #1944319)**

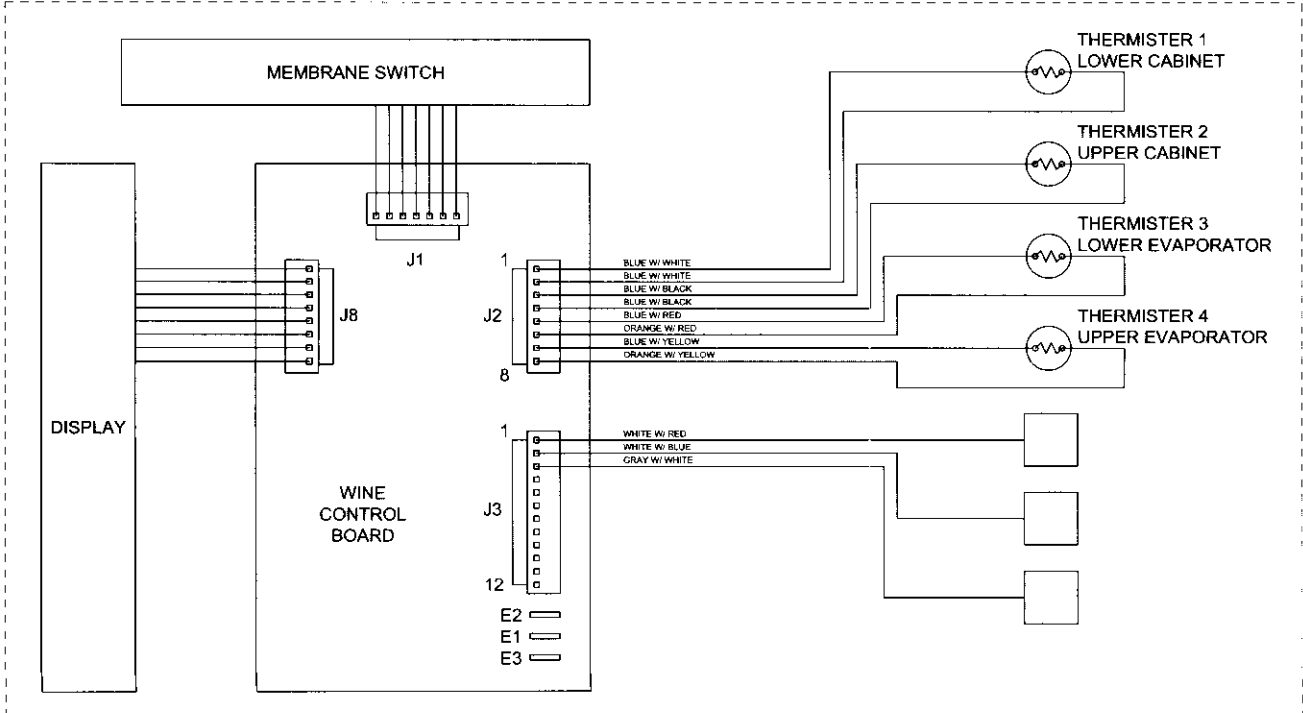
WARNING

-This wiring information is provided for use by qualified service personnel only.
-Disconnect appliance from electrical supply before beginning service.
-Be sure all grounding devices are connected when service is complete.
-Failure to observe the above warnings may result in severe electrical shock.

HIGH VOLTAGE



LOW VOLTAGE

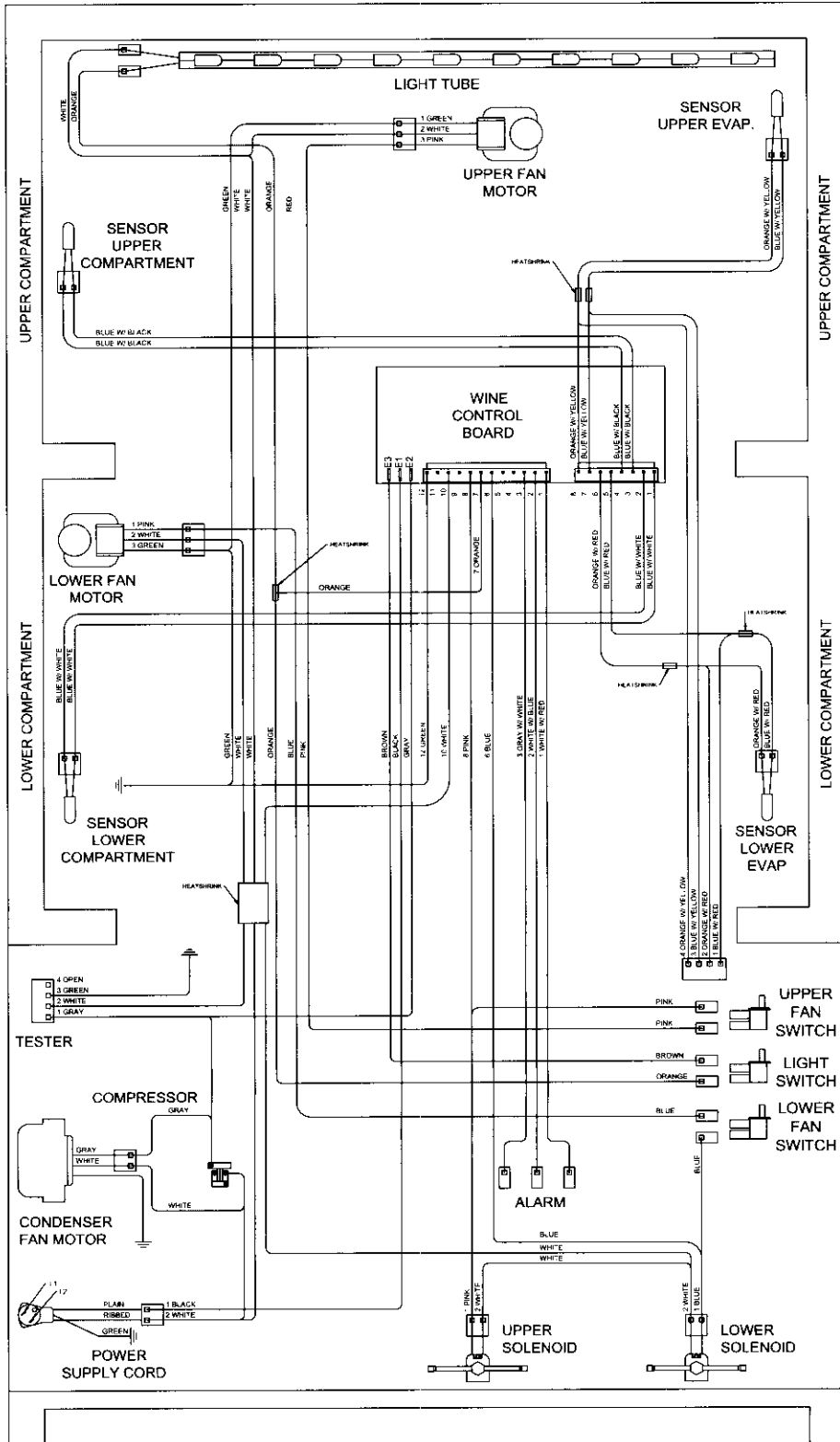


PART NUMBER 3756360

WIRING DIAGRAM MODEL 424 (Starting with Serial #1944319)

WARNING

-This wiring information is provided for use by qualified service personnel only.
-Disconnect appliance from electrical supply before beginning service.
-Be sure all grounding devices are connected when service is complete.
-Failure to observe the above warnings may result in severe electrical shock.



400 SERIES CONTROL BOARD SUMMARY/LAYOUT

CIRCUIT	DESCRIPTION	FUNCTION	COLOR
E	120 VOLT CIRCUITS		
E1	POWER INTO BOARD		BLACK
E2	COMPRESSOR		GRAY
E3	POWERS LIGHTS		BROWN
J3	GROUND		GREEN
P11	EMPTY	EARTH GROUND	WHITE
P10	EMPTY	NEUTRAL INTO BOARD	WHITE
P9	EMPTY		
P8	UPPER SOLENOID VALVE	COOL S. UPPER COMPARTMENT	PINK
P7	UPPER SOLENOID VALVE	COOL S. UPPER COMPARTMENT	ORANGE
P6	UPPER SOLENOID VALVE	COOL S. LOWER COMPARTMENT	BLUE
P5	UPPER SOLENOID VALVE	COOL S. LOWER COMPARTMENT	YELLOW
P4	EMPTY		
P3	ALARM CIRCUIT-NORMALLY CLOSED	FOR HOME ALARMS	WHIT/RED
P2	ALARM CIRCUIT-NORMALLY OPEN	FOR HOME ALARMS	WHIT/BLUE
P1	ALARM CIRCUIT-COMMON	FOR HOME ALARMS	GRAY/WHIT
J2	THERMISTERS CIRCUITS		
P	LOWER CABINET	SENSES TEMPERATURE	BLUE/WHITE
P2	UPPER CABINET	SENSES TEMPERATURE	BLUE/WHITE
P3	UPPER CABINET	SENSES TEMPERATURE	BLUE/BLACK
P4	UPPER CABINET	SENSES TEMPERATURE	BLUE/BLACK
P5	LOWER EVAPORATOR	SENSES TEMPERATURE	BLUE/RED
P6	LOWER EVAPORATOR	SENSES TEMPERATURE	ORANGE/RED
P7	UPPER EVAPORATOR	SENSES TEMPERATURE	BLUE/YELLOW
P8	UPPER EVAPORATOR	SENSES TEMPERATURE	ORANGE/YELL

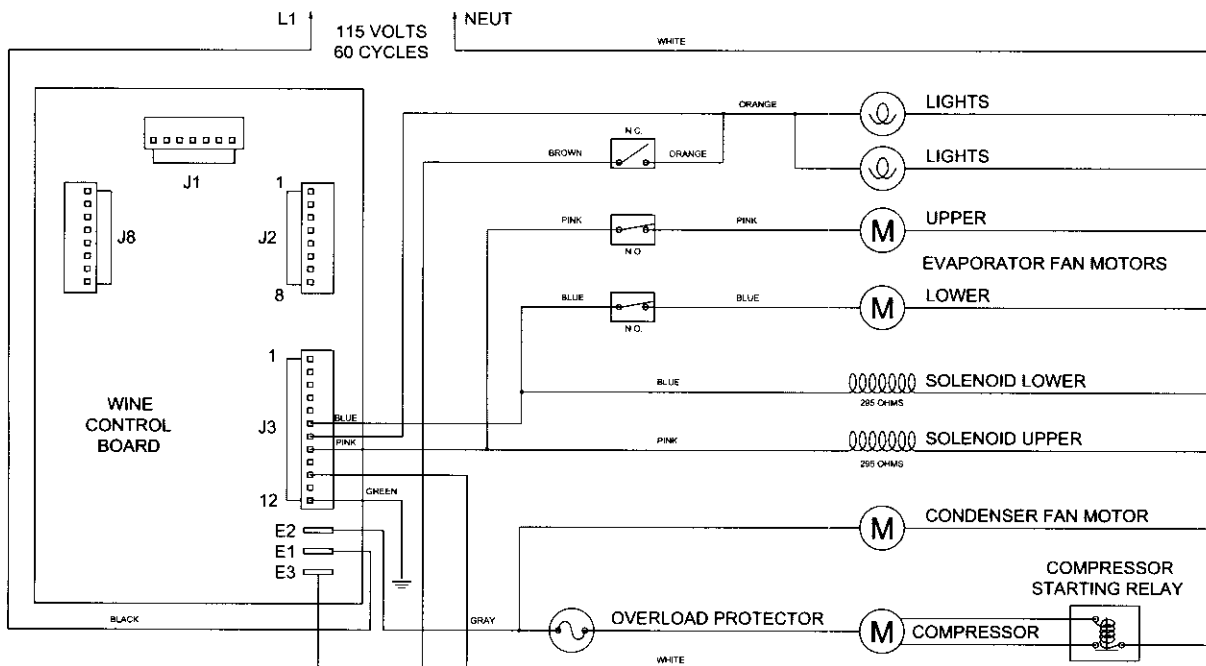
PART NUMBER 375710 REV A

WIRING SCHEMATIC MODEL 424 (Starting with Serial #1944319)

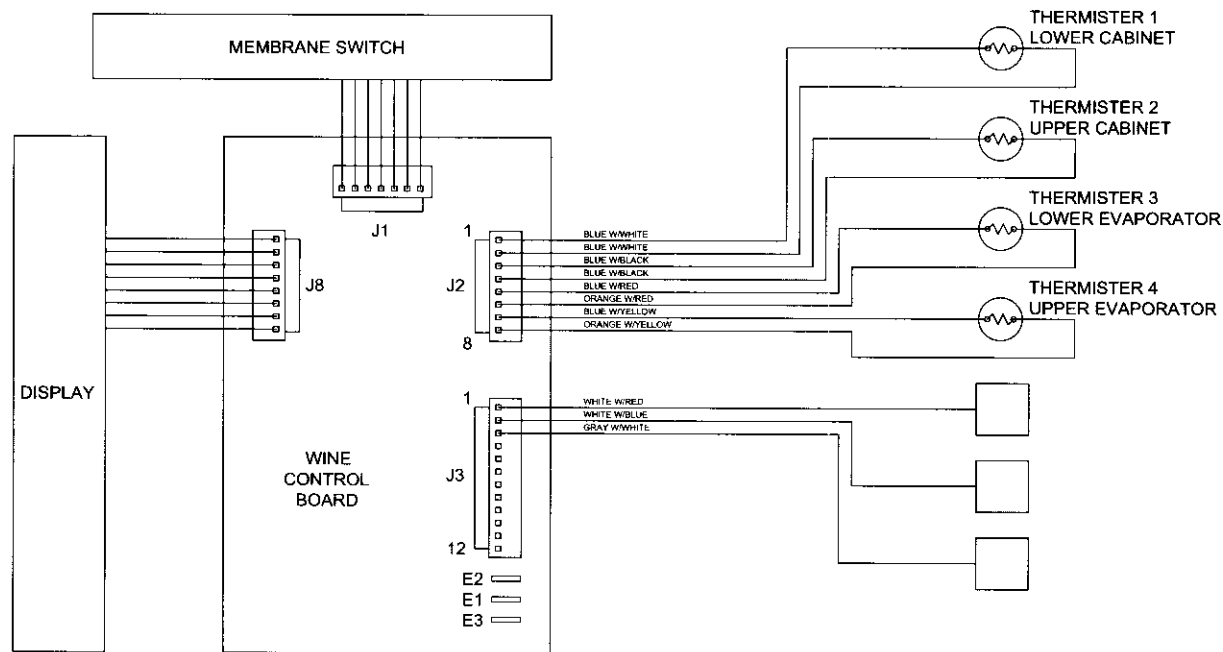
⚠ WARNING

This wiring information is provided for use by qualified service personnel only.
 -Disconnect appliance from electrical supply before beginning service.
 -Be sure all grounding devices are connected when service is complete.
 -Failure to observe the above warnings may result in severe electrical shock.

HIGH VOLTAGE



LOW VOLTAGE

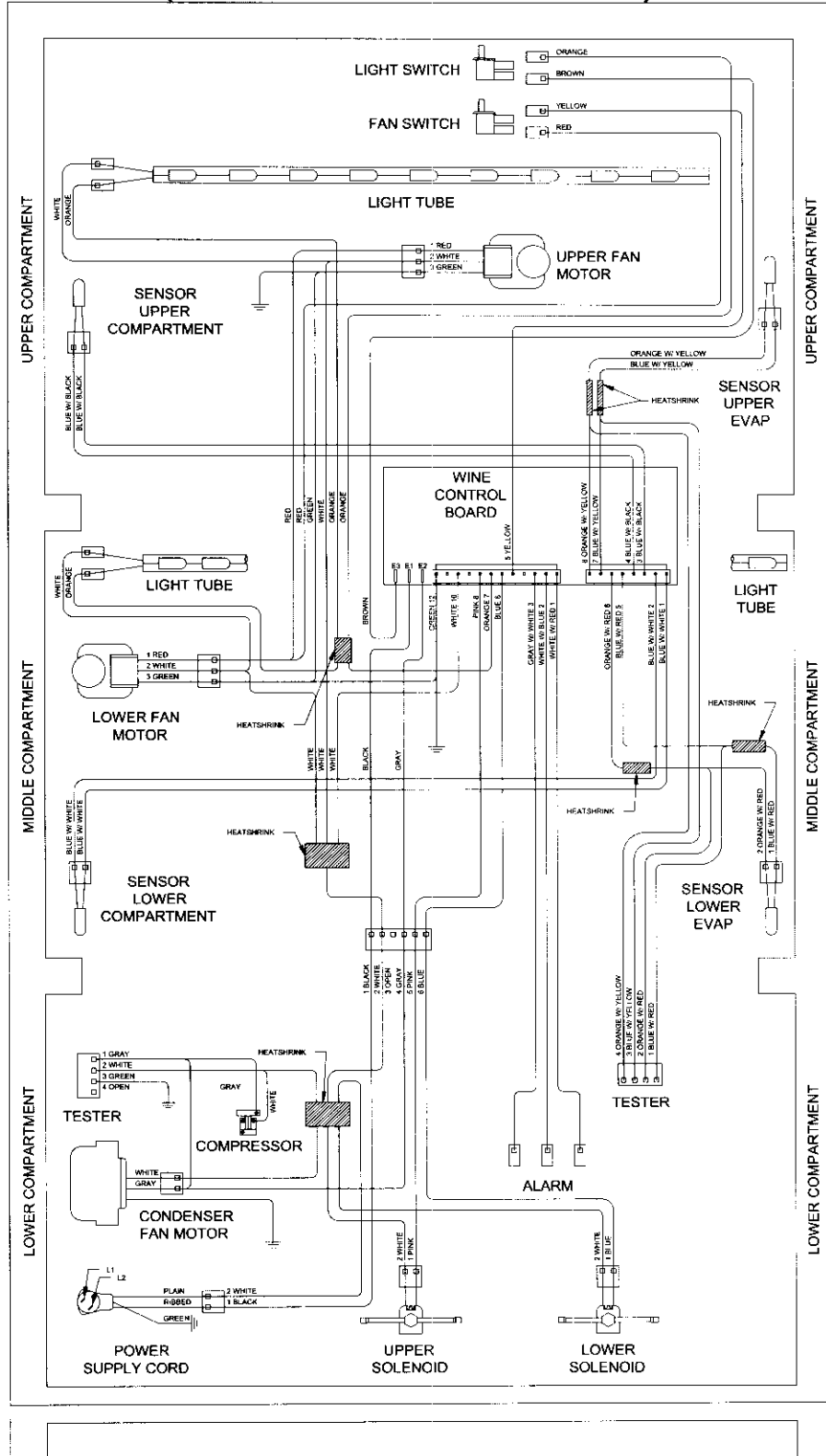


PART NUMBER 3757510 REV A

WIRING DIAGRAM MODEL 427 (Prior to Serial #1944319)

WARNING

-This wiring information is provided for use by qualified service personnel only.
-Disconnect appliance from electrical supply before beginning service.
-Be sure all grounding devices are connected when service is complete.
-Failure to observe the above warnings may result in severe electrical shock.



400 SERIES CONTROL BOARD SUMMARY/LAYOUT

CIRCUIT	DESCRIPTION	FUNCTION	COLOR
J3	LOW VOLTAGE CIRCUITS		
E1	POWER INTO BOARD		BLACK
E2	POWER IN COMPRESSOR		GRAY
E3	POWER LIGHTS		BROWN
J3	GROUND		GREEN
P11	EMPTY		WHITE
P10	NEUTRAL		WHITE
P9	EMPTY		PINK
P8	UPPER SOLENOID VALVE		ORANGE
P7	LIGHTS OVERRIDE		BLUE
P6	LOWER SOLENOID VALVE		BLUE
P5	EVAPORATOR FANS		YELLOW
P4	EMPTY		
J2	ALARM CIRCUIT - NORMALLY OPEN	FOR HOME ALARMS	WHITE/RED
P3	ALARM CIRCUIT - NORMALLY CLOSED	FOR HOME ALARMS	WHITE/BLUE
P2	ALARM CIRCUIT - COMMON	FOR HOME ALARMS	GRAY/WHITE
J2	THERMISTOR CIRCUITS		
P1	LOWER CABINET	SENSES TEMPERATURE	BLUE/WHITE
P2	UPPER CABINET	SENSES TEMPERATURE	BLUE/WHITE
P3	UPPER CABINET	SENSES TEMPERATURE	BLUE/BLACK
P4	LOWER CABINET	SENSES TEMPERATURE	BLUE/BLACK
P5	LOWER EVAPORATOR	SENSES TEMPERATURE	ORANGE/RED
P6	UPPER CABINET	SENSES TEMPERATURE	ORANGE/RED
P7	UPPER EVAPORATOR	SENSES TEMPERATURE	BLUE/YELLOW
P8	UPPER EVAPORATOR	SENSES TEMPERATURE	ORANGE/YELLOW

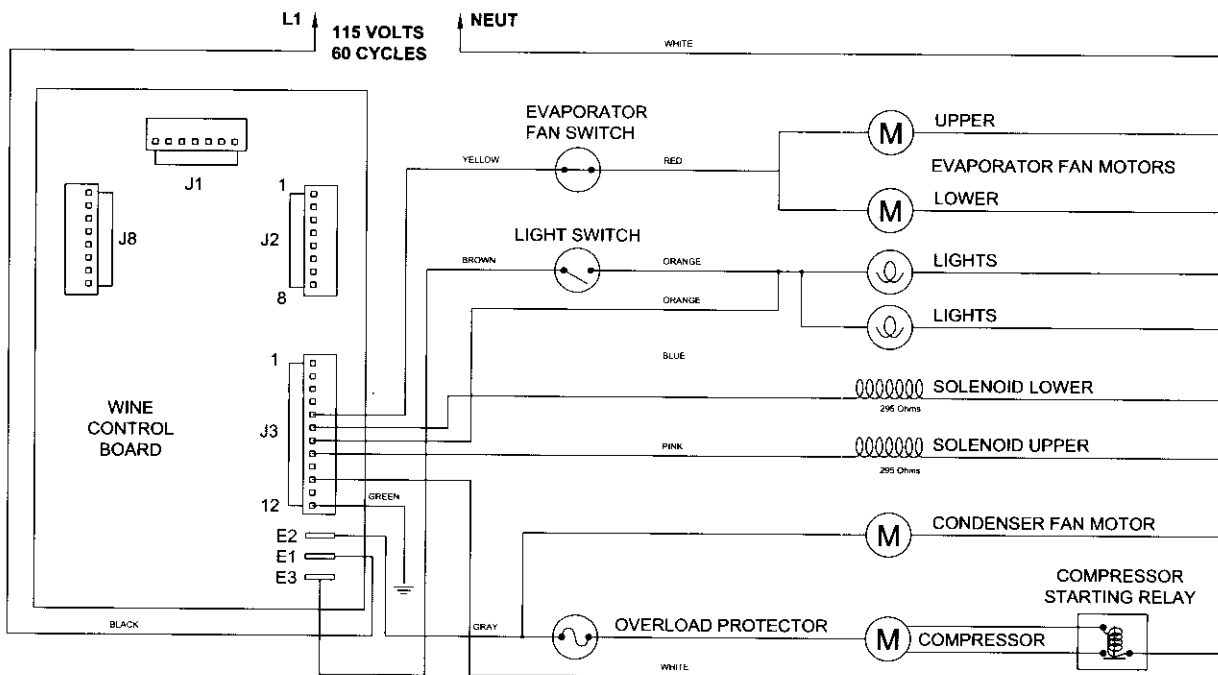
PART NUMBER 3756361 - Rev. B

WIRING SCHEMATIC MODEL 427 (Prior to Serial #1944319)

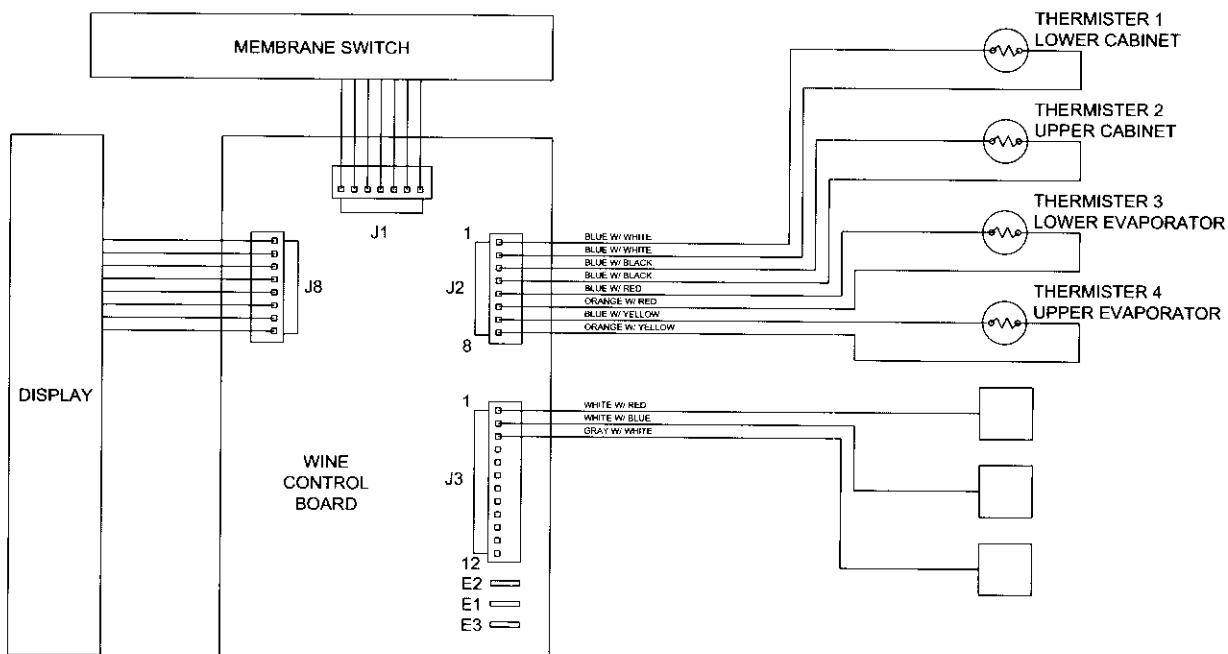
⚠ WARNING

-This wiring information is provided for use by qualified service personnel only.
 -Disconnect appliance from electrical supply before beginning service.
 -Be sure all grounding devices are connected when service is complete.
 -Failure to observe the above warnings may result in severe electrical shock.

HIGH VOLTAGE



LOW VOLTAGE



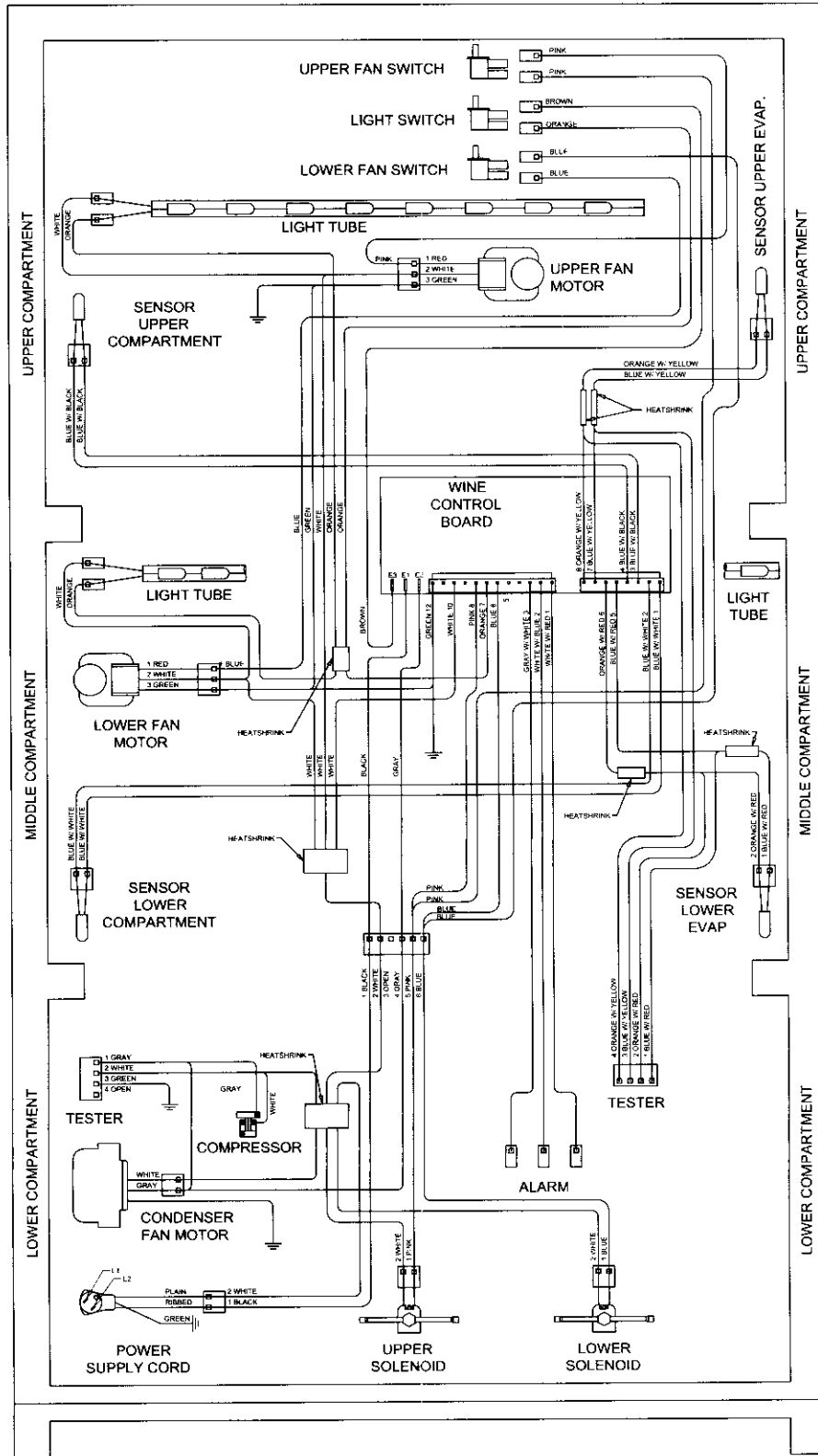
PART NUMBER 3756361



WIRING DIAGRAM MODEL 427 (Starting with Serial #1944319)

WARNING

- This wiring information is provided for use by qualified service personnel only.
- Disconnect appliance from electrical supply before beginning service.
- Be sure all grounding devices are connected when service is complete.
- Failure to observe the above warnings may result in severe electrical shock.



400 SERIES CONTROL BOARD SUMMARY/LAYOUT

CIRCUIT	DESCRIPTION	FUNCTION	COLOR	CIRCUIT	DESCRIPTION	FUNCTION	COLOR
J1	120 VOLT CIRCUITS		BLACK	J1	LOW VOLTAGE CIRCUITS		
E1	POWER INTO BOARD		GRAY	P1	ALARM CIRCUIT-NORMALLY OPEN	FOR HOME ALARMS	WHIT/RED
E2	POWER COMPRESSOR		BROWN	P2	ALARM CIRCUIT-NORMALLY CLOSED	FOR HOME ALARMS	WHIT/BLUE
E3	POWER LIGHTS		GREEN	P3	ALARM CIRCUIT-COMMON	FOR HOME ALARMS	GRAY/WHIT
J2	GROUND	EARTH-GROUND	GREEN	J2	THERMISTERS CIRCUITS	SENSES TEMPERATURE	BLUE/WHITE
P1	EMPTY		WHITE	P1	LOWER CABINET	SENSES TEMPERATURE	BLUE/WHITE
P10	NEUTRAL	NEUTRAL INTO BOARD	PINK	P2	UPPER CABINET	SENSES TEMPERATURE	BLUE/BLACK
P9	EMPTY		ORANGE	P3	UPPER CABINET	SENSES TEMPERATURE	BLUE/RED
P8	UPPER SOLENOID VALVE	COOLS UPPER COMPARTMENT ON WHEN LIGHTS ON 100%	ORANGE	P4	LOWER CABINET	SENSES TEMPERATURE	ORANGE/RED
P7	LIGHTS OVERRIDE	COOLS LOWER COMPARTMENT ON WHEN LIGHTS ON 100%	BLUE	P5	LOWER EVAPORATOR	SENSES TEMPERATURE	ORANGE/YELLOW
P6	LOWER SOLENOID VALVE	COOLS LOWER COMPARTMENT ON WHEN LIGHTS ON 100%	YELLOW	P6	UPPER EVAPORATOR	SENSES TEMPERATURE	ORANGE/YELL
P5	EVAPORATOR FANS	POWERS EVAPORATOR FANS					
P4	EMPTY						

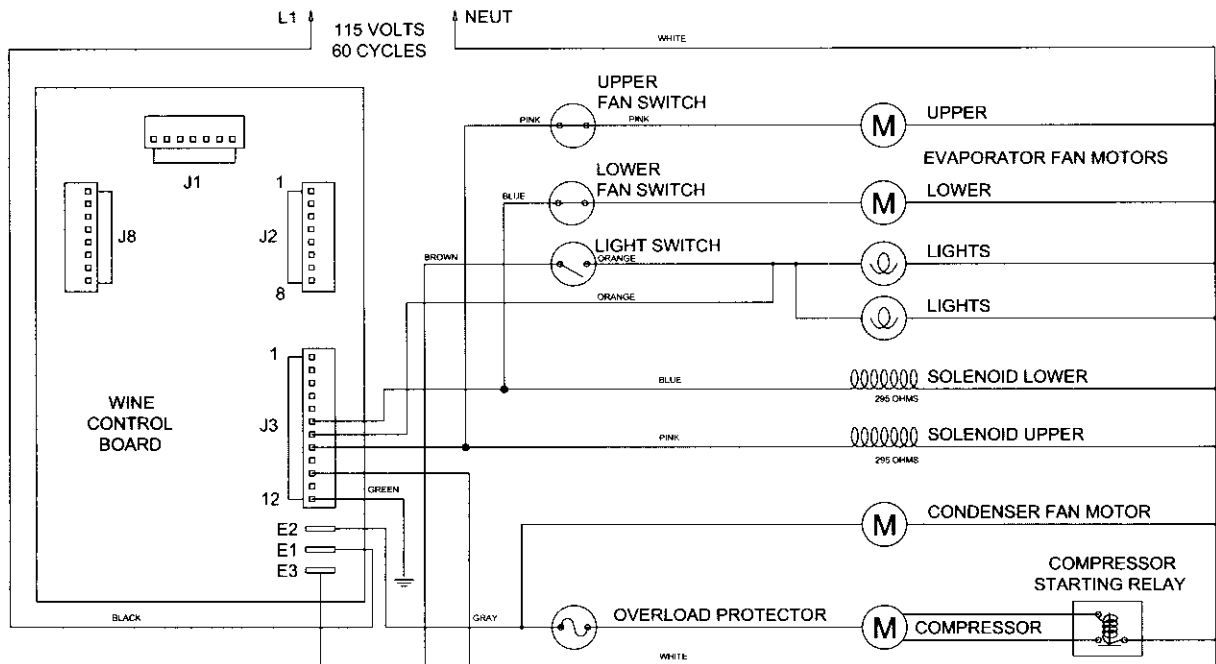
PART NUMBER 3757500 REV A

WIRING SCHEMATIC MODEL 427 (Starting with Serial #1944319)

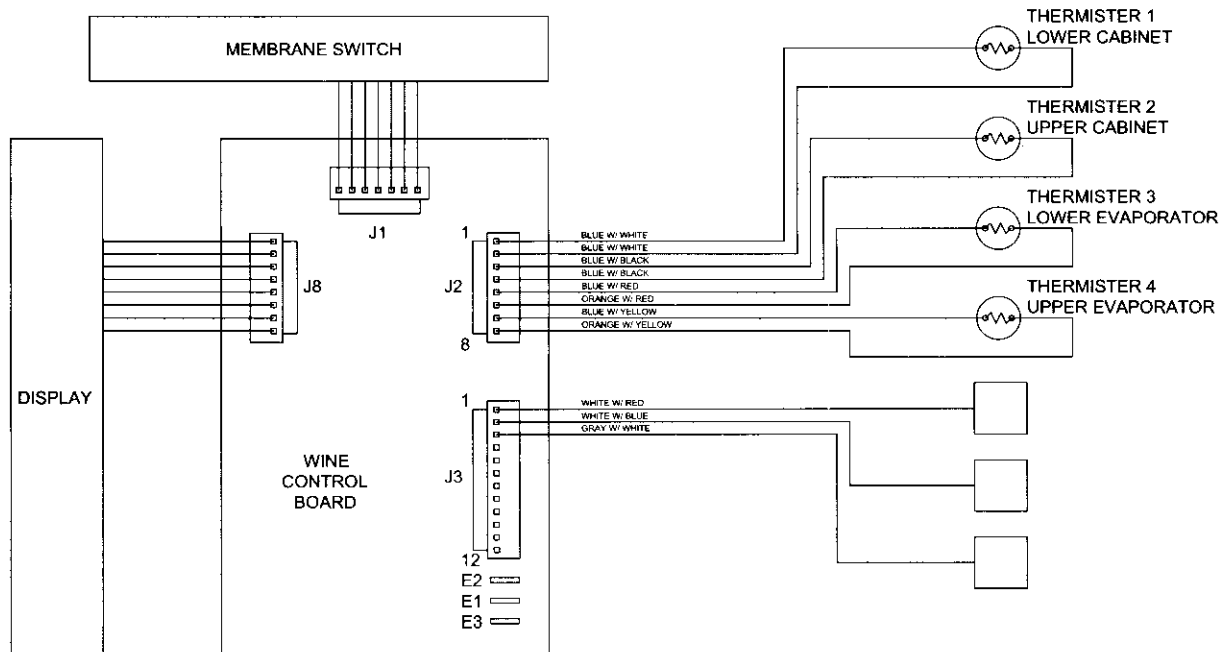
⚠ WARNING

This wiring information is provided for use by qualified service personnel only.
 Disconnect appliance from electrical supply before beginning service.
 Be sure all grounding devices are connected when service is complete.
 Failure to observe the above warnings may result in severe electrical shock.

HIGH VOLTAGE



LOW VOLTAGE

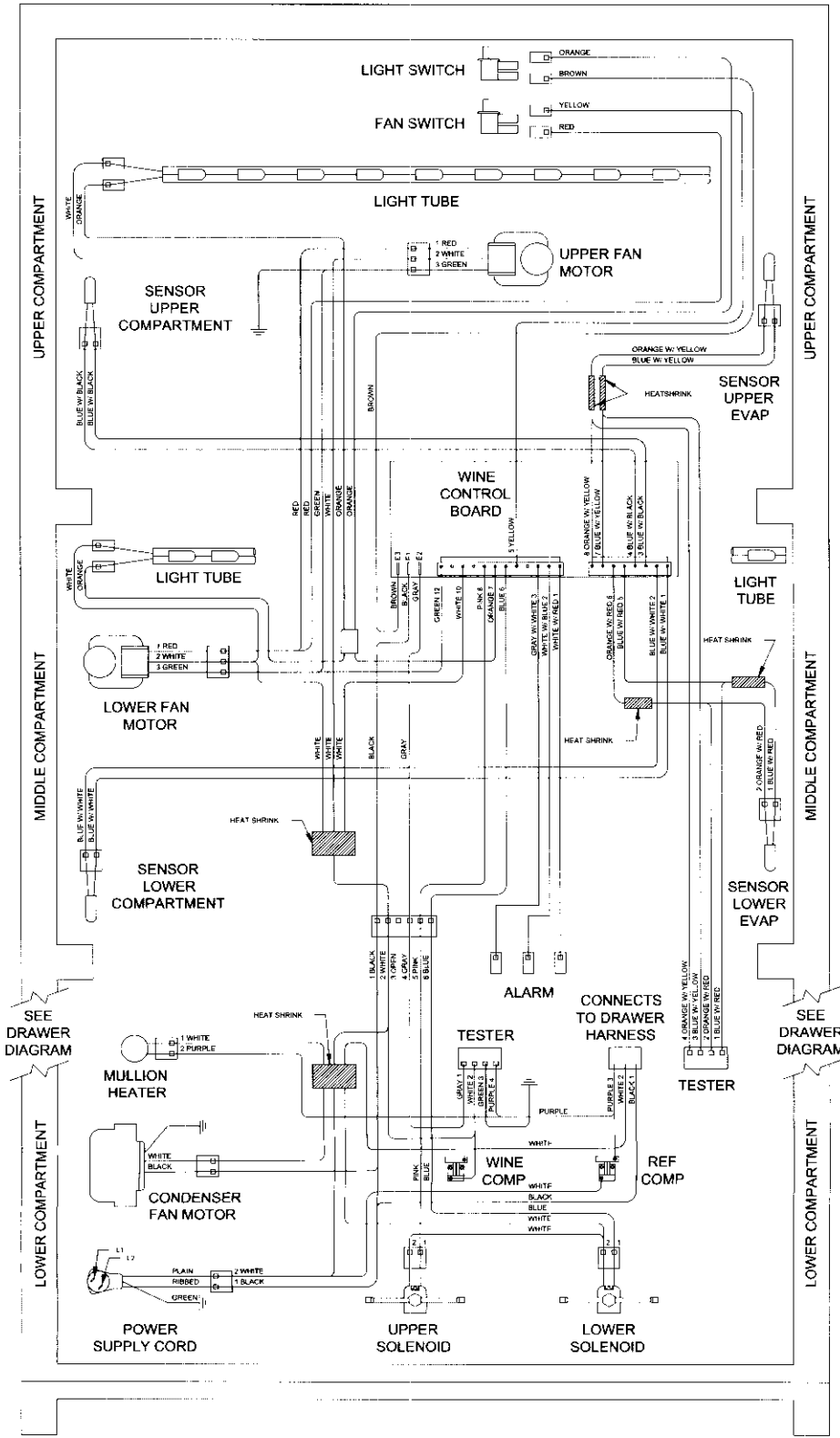


PART NUMBER 3757500 Rev A

WIRING DIAGRAM MODEL 427R - WINE (Prior to Serial #1944319)

WARNING

This wiring information is provided for use by qualified service personnel only.
Disconnect appliance from electrical supply before beginning service.
Be sure all grounding devices are connected when service is complete.
Failure to observe the above warnings may result in severe electrical shock.



400 SERIES CONTROL BOARD SUMMARY/LAYOUT

CIRCUIT	DESCRIPTION	FUNCTION	COLOR	CIRCUIT	DESCRIPTION	FUNCTION	COLOR
E1	120 VOLT CIRCUITS			J1	LOW VOLTAGE CIRCUITS		
E2	POWER IN	POWER INTO BOARD	BLACK	J3	ALARM CIRCUIT	FOR HOME ALARMS	WHIT/RED
E3	COMPRESSION	POWERS COMPRESSOR	GRAY	P1	ALARM CIRCUIT-NORMALLY OPEN	FOR HOME ALARMS	WHIT/BLUE
	LIGHTS	POWERS LIGHTS	BROWN	P2	ALARM CIRCUIT-COMMON	FOR HOME ALARMS	GRAY/WHIT
U1	GROUND	EARTH GROUND	GREEN	J2	THERMISTOR CIRCUITS		
P12	EMPTY			P1	LOWER CABINET	SENSES TEMPERATURE	BLUE/WHITE
P10	NEUTRAL	NEUTRAL INTO BOARD	WHITE	P2	UPPER CABINET	SENSES TEMPERATURE	BLUE/WHITE
P8	EMPTY			P3	UPPER CABINET	SENSES TEMPERATURE	BLUE/BLACK
P7	UPPER SOLENOID VALVE	COOLS UPPER COMPARTMENT ON WHEN LIGHTS ON 100%	PINK	P4	UPPER CABINET	SENSES TEMPERATURE	BLUE/RED
P6	LIGHTS OVERRIDE	COOLS LOWER COMPARTMENT	ORANGE	P5	LOWER EVAPORATOR	SENSES TEMPERATURE	ORANGE/RED
P5	LOWER SOLENOID VALVE	COOLS LOWER COMPARTMENT	BLUE	P6	LOWER EVAPORATOR	SENSES TEMPERATURE	BLUE/YELLOW
P4	EVAPORATOR FANS	POWERS EVAPORATOR FANS	YELLOW	P7	UPPER EVAPORATOR	SENSES TEMPERATURE	ORANGE/YELL
P3	EMPTY			P8	UPPER EVAPORATOR	SENSES TEMPERATURE	ORANGE/YELL

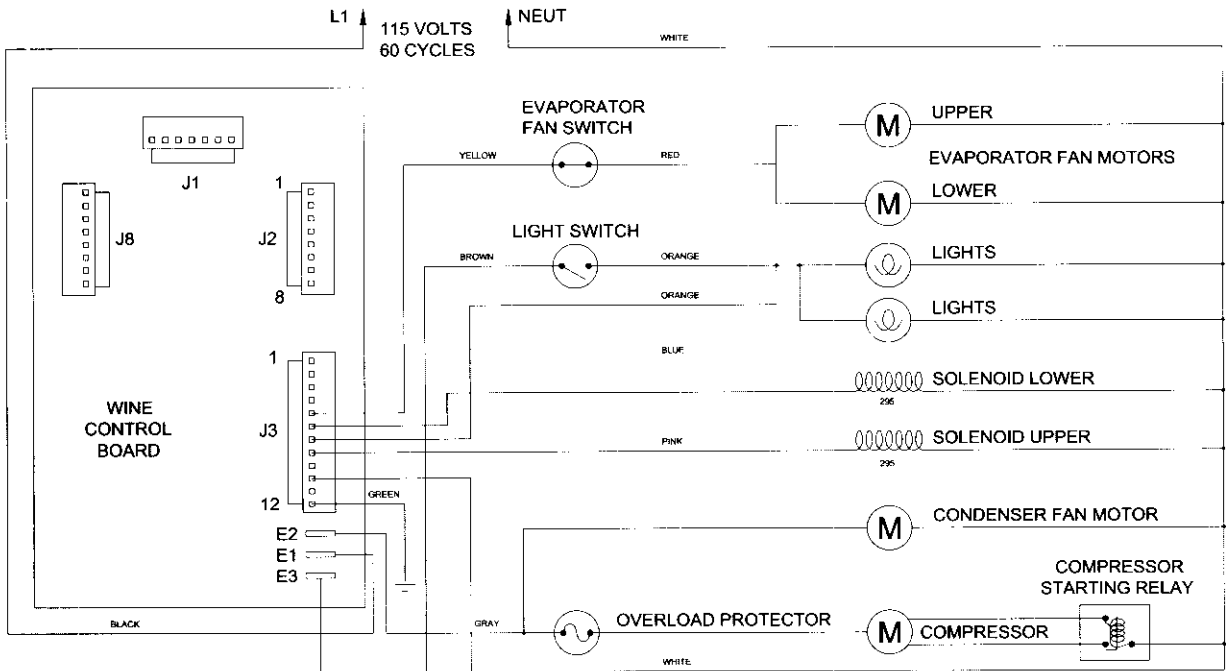
PART NUMBER 3756362 - Rev. C

WIRING SCHEMATIC MODEL 427R - WINE (Prior to Serial #1944319)

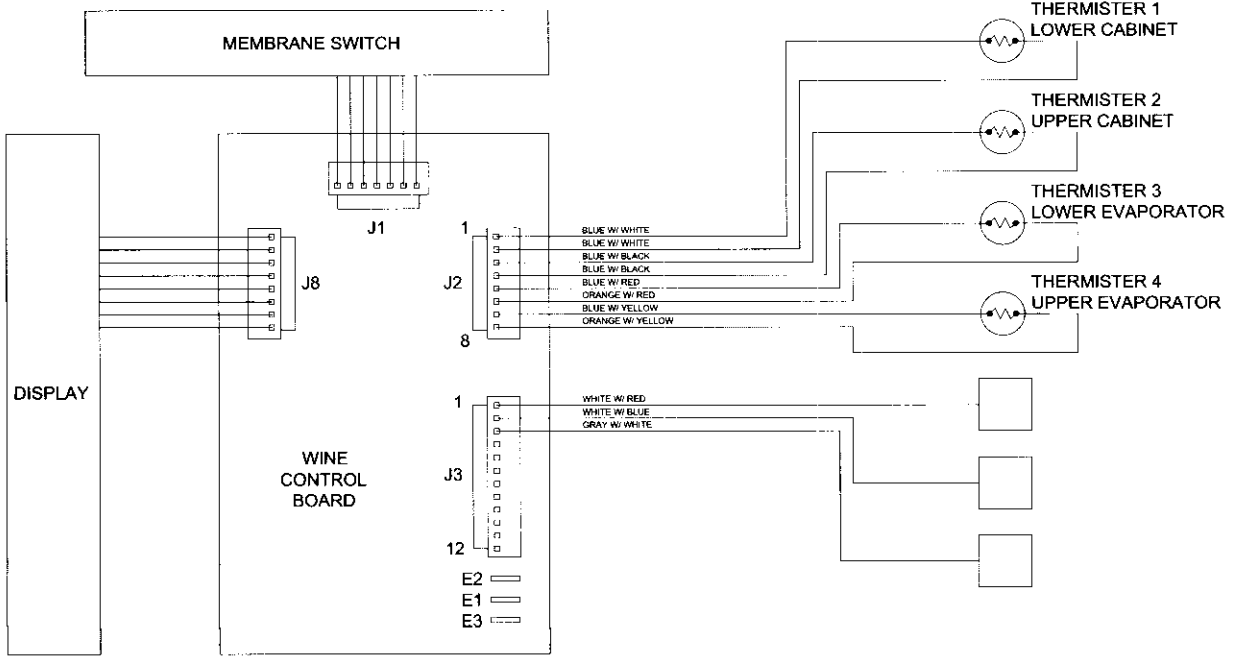
⚠ WARNING

-This wiring information is provided for use by qualified service personnel only.
-Disconnect appliance from electrical supply before beginning service.
-Be sure all grounding devices are connected when service is complete.
-Failure to observe the above warnings may result in severe electrical shock.

HIGH VOLTAGE



LOW VOLTAGE

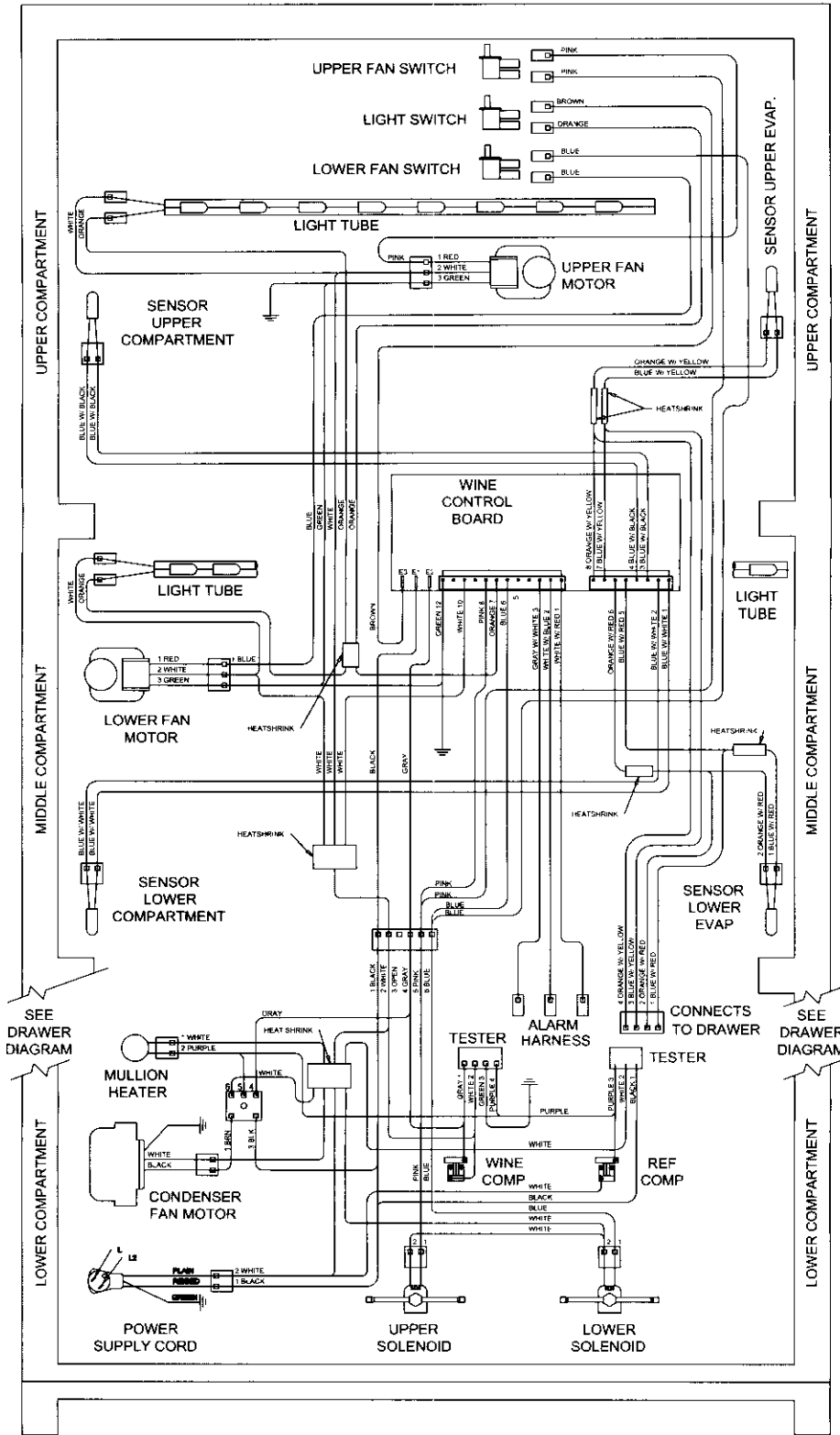


PART NUMBER 3756362 - REV C

WIRING DIAGRAM MODEL 427R - WINE (Starting with Serial #1944319)

WARNING

-This wiring information is provided for use by qualified service personnel only.
-Disconnect appliance from electrical supply before beginning service.
-Be sure all grounding devices are connected when service is complete.
-Failure to observe the above warnings may result in severe electrical shock.



400 SERIES CONTROL BOARD SUMMARY/LAYOUT

CIRCUIT	DESCRIPTION	FUNCTION	COLOR
E	POWER INTO BOARD		BLACK
E2	COMPRESSOR		GRAY
E3	POWERS LIGHTS		BROWN
J3	GROUND		GREEN
P1	EMPTY		WHITE
P10	NEUTRAL		WHITE
P8	UPPER SOLENOID VALVE & FAN		PINK
P7	LIGHTS OVERRIDE		ORANGE
P6	LOWER SOLENOID VALVE & FAN		ORANGE/RED
P5	EMPTY		BLUE
P4	EMPTY		BLUE
J3	120 VOLT CIRCUITS		
J3	ALARM CIRCUIT	LOW VOLTAGE CIRCUITS	
P1	FOR HOME ALARMS	ALARM CIRCUIT - NORMALLY OPEN	WHIT/RED
P2	FOR HOME ALARMS	ALARM CIRCUIT - NORMALLY CLOSED	WHIT/BLUE
P3	FOR HOME ALARMS	ALARM CIRCUIT - COMMON	GRAY/WHIT
J2	THERMISTOR CIRCUITS		
P1	LOWER CABINET	SENSES TEMPERATURE	BLUE/WHITE
P2	UPPER CABINET	SENSES TEMPERATURE	BLUE/WHITE
P3	UPPER CABINET	SENSES TEMPERATURE	BLUE/BLACK
P4	UPPER CABINET	SENSES TEMPERATURE	BLUE/BLACK
P5	LOWER EVAPORATOR	SENSES TEMPERATURE	ORANGE/RED
P6	LOWER EVAPORATOR	SENSES TEMPERATURE	ORANGE/RED
P7	UPPER EVAPORATOR	SENSES TEMPERATURE	BLUE/YELLOW
P8	UPPER EVAPORATOR	SENSES TEMPERATURE	ORANGE/YELLOW

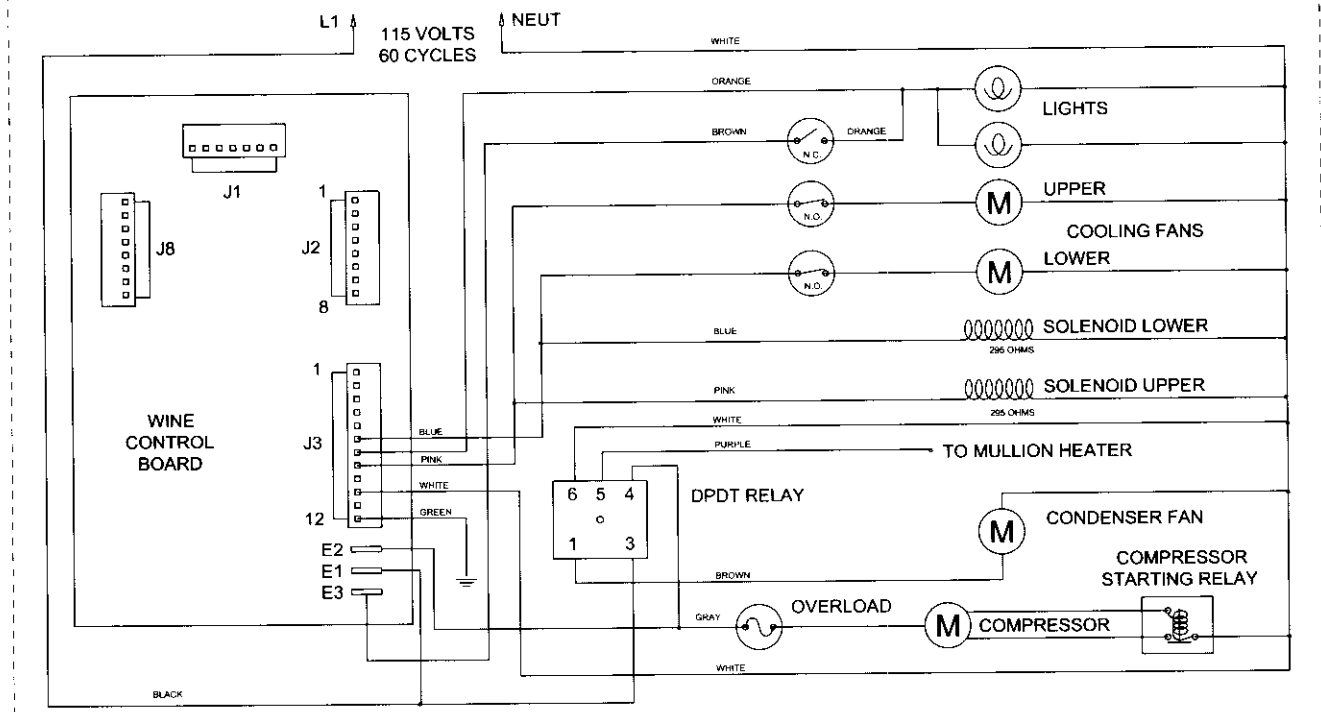
PART NUMBER 3757530 REV A

WIRING SCHEMATIC MODEL 427R - WINE (Starting with Serial #1944319)

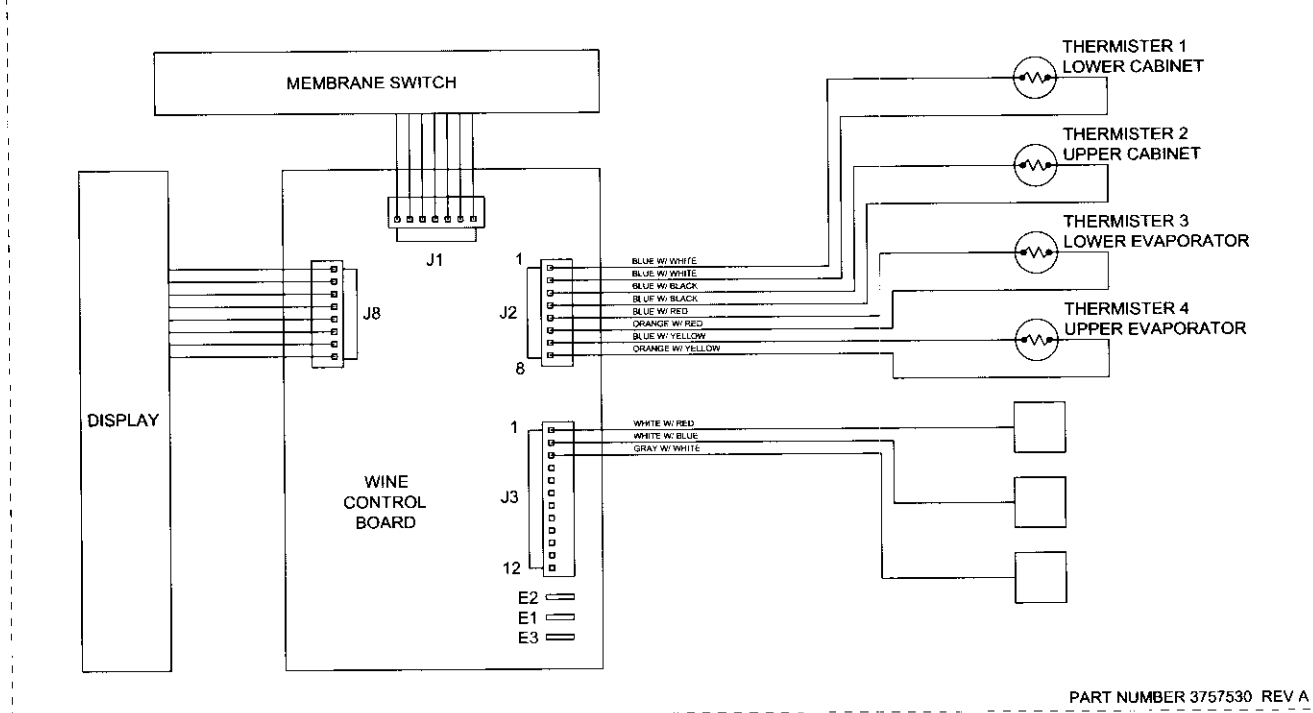
⚠ WARNING

-This wiring information is provided for use by qualified service personnel only.
 -Disconnect appliance from electrical supply before beginning service.
 -Be sure all grounding devices are connected when service is complete.
 -Failure to observe the above warnings may result in severe electrical shock.

HIGH VOLTAGE



LOW VOLTAGE

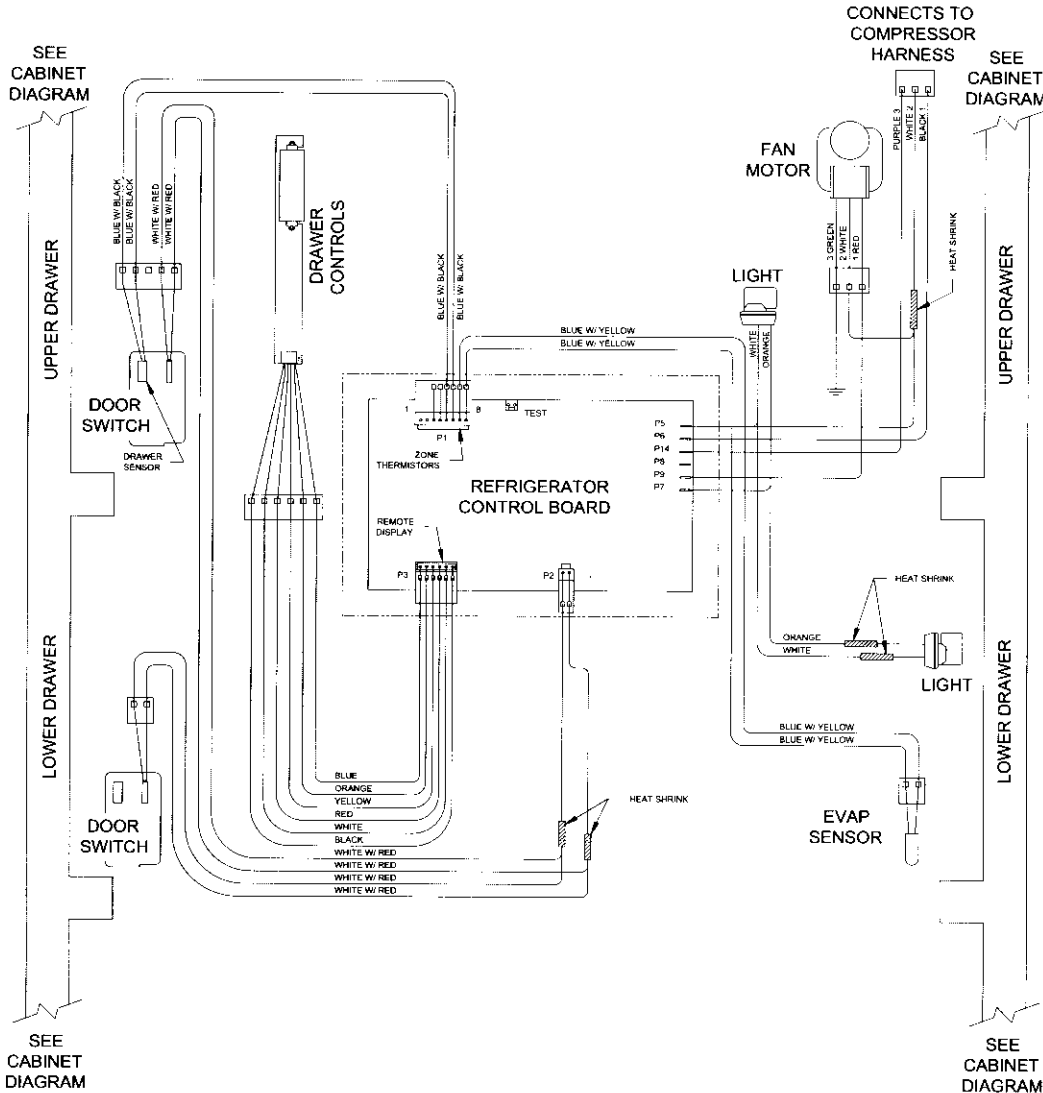


PART NUMBER 3757530 REV A

WIRING DIAGRAM MODEL 427R - REFRIGERATOR (Prior to Serial #1944319)

WARNING

-This wiring information is provided for use by qualified service personnel only.
-Disconnect appliance from electrical supply before beginning service.
-Be sure all grounding devices are connected when service is complete.
-Failure to observe the above warnings may result in severe electrical shock.

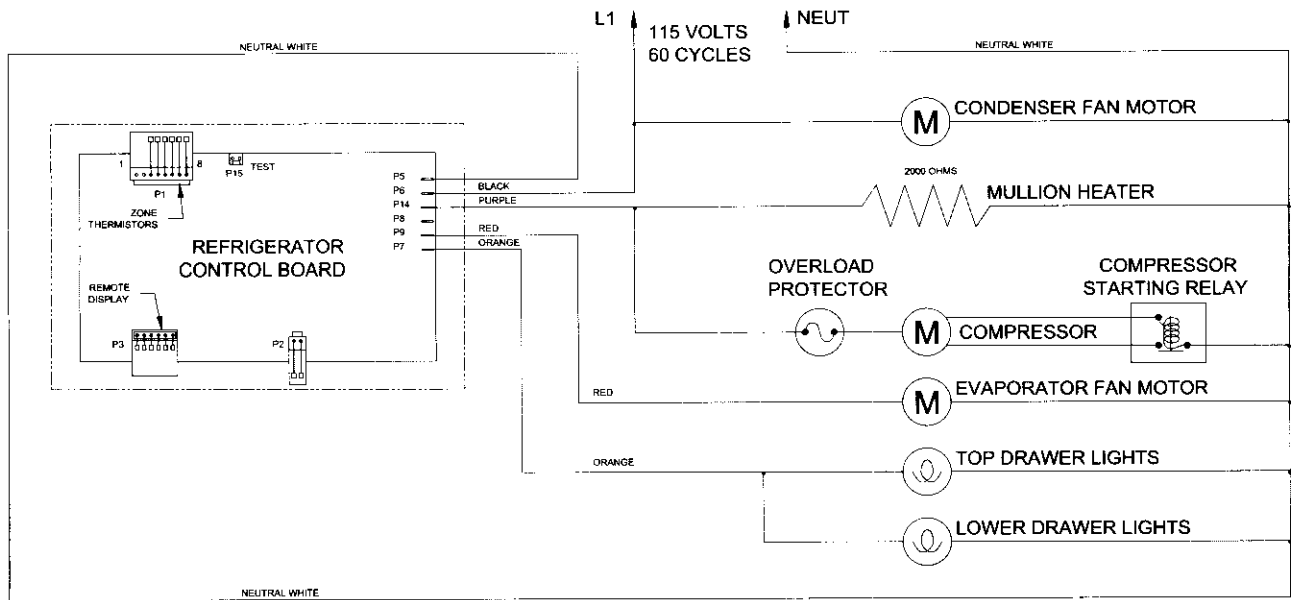


WIRING SCHEMATIC MODEL 427R - REFRIGERATOR (Prior to Serial #1944319)

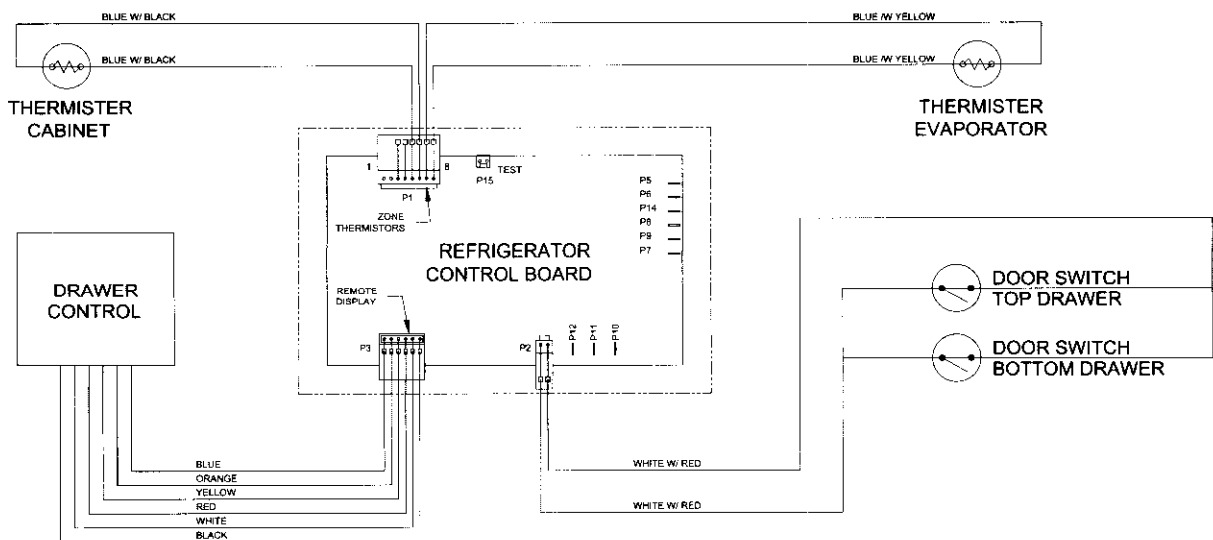
⚠ WARNING

-This wiring information is provided for use by qualified service personnel only.
-Disconnect appliance from electrical supply before beginning service.
-Be sure all grounding devices are connected when service is complete.
-Failure to observe the above warnings may result in severe electrical shock.

HIGH VOLTAGE



LOW VOLTAGE

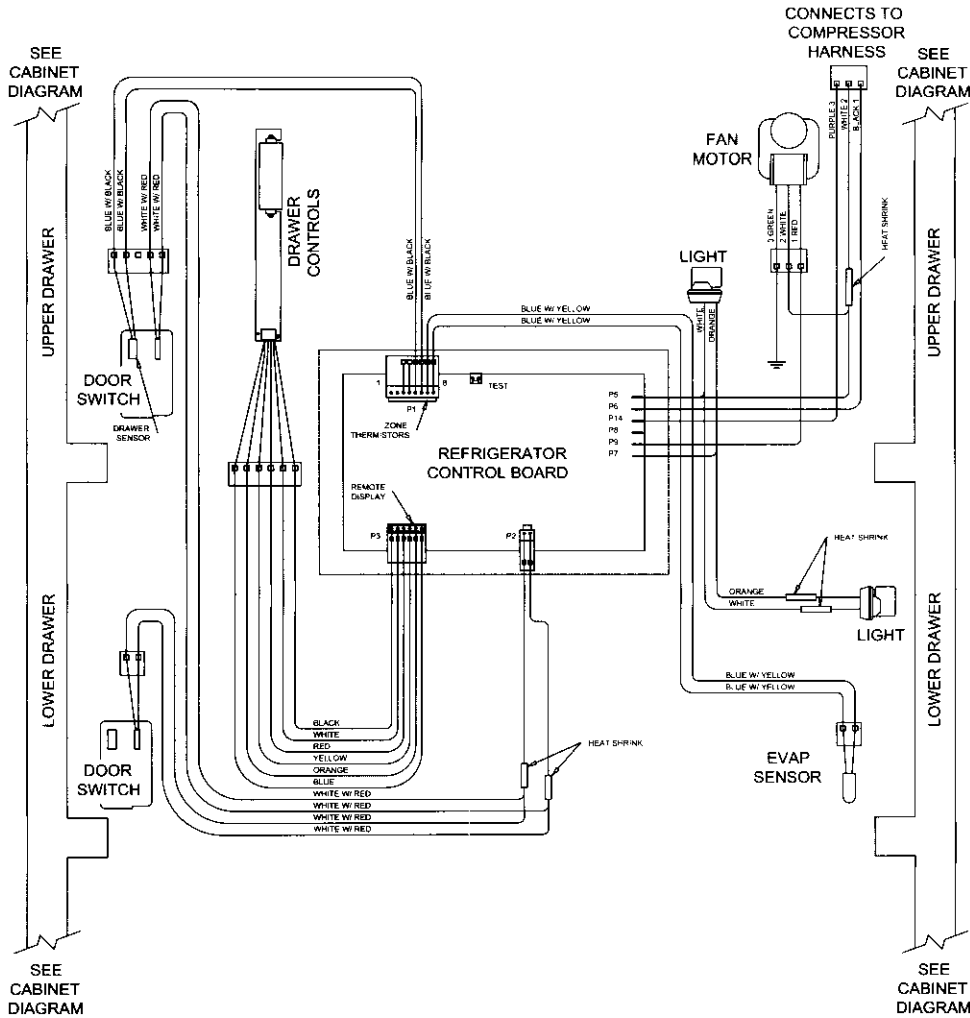


PART NUMBER 3756362 - REV. C

WIRING DIAGRAM MODEL 427R - REFRIGERATOR (Starting with Serial #1944319)

WARNING

- This wiring information is provided for use by qualified service personnel only.
- Disconnect appliances from electrical supply before beginning service.
- Be sure all grounding devices are connected when service is complete.
- Failure to observe the above warnings may result in severe electrical shock.



TERM.	NO.	DESCRIPTION	FUNCTION	COLOR
P1	1	THERMISTOR CIRCUITS	EMPTY	EMPTY
	2	EMPTY	EMPTY	EMPTY
	3	EMPTY	EMPTY	EMPTY
	5	DRAWER	SENSES TEMPERATURE	LT. BLUE W/BLACK
	6	DRAWER	SENSES TEMPERATURE	LT. BLUE W/BLACK
	7	EVAPORATOR	SENSES TEMPERATURE	LT. BLUE W/YELLOW
	8	EVAPORATOR	SENSES TEMPERATURE	LT. BLUE W/YELLOW
P3	1	DISPLAY BOARD	DISPLAY BOARD	BLACK
	2	*	*	WHITE
	4	*	*	YELLOW
	5	*	*	ORANGE
	6	*	*	BLUE

AUXILIARY CHART

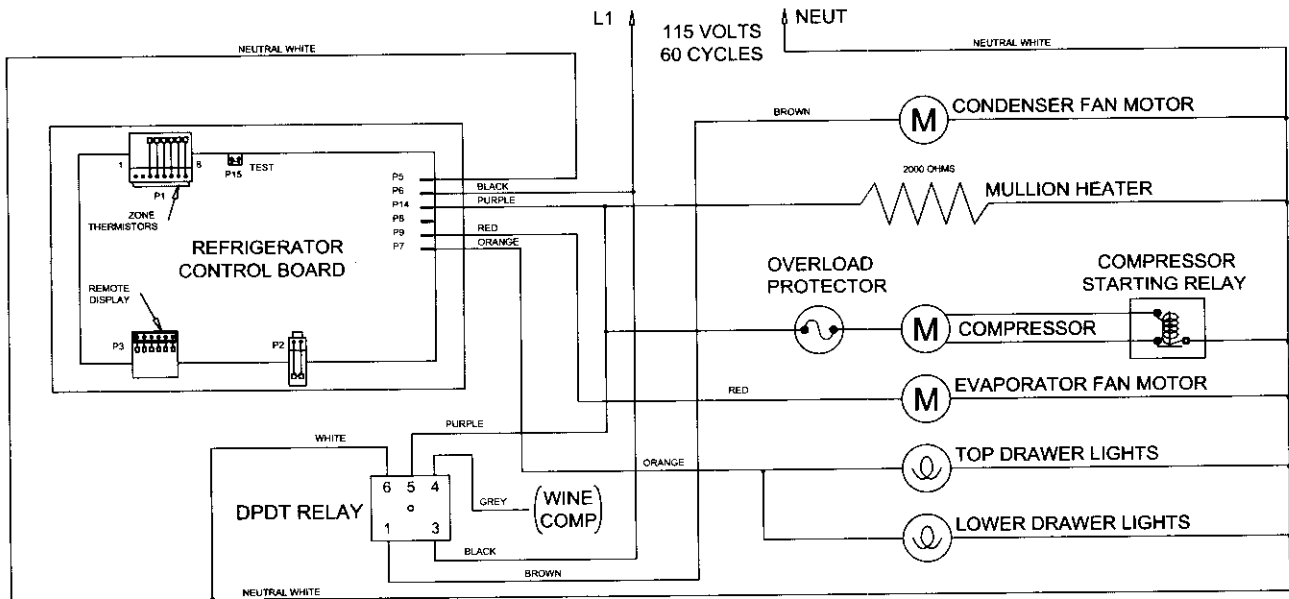
TERM.	DESCRIPTION	FUNCTION	COLOR
P1	THERMISTORS	SENSES TEMPERATURES	SEE AUX. CHART
P2	LIGHT SWITCH	CONTROLS LIGHTS	WHITERED
P3	REMOTE DISPLAY	CONNECTS TO DISPLAY	SEE AUX. CHART
P4	NOT USED		
P5	L1-NEUTRAL 115	NEUTRAL INTO THE BOARD	WHITE
P6	L1-HOT 115	POWER INTO BOARD	BLACK
P7	LIGHTS-120V OUT	POWERS LIGHTS	ORANGE
P8	NOT USED		
P9	EVAPORATOR FAN	POWERS FANS	RED
P10-P12	NOT USED		
P14	COMPRESSOR	POWERS COMPRESSOR	PURPLE

WIRING SCHEMATIC MODEL 427R - REFRIGERATOR (Starting with Serial #1944319)

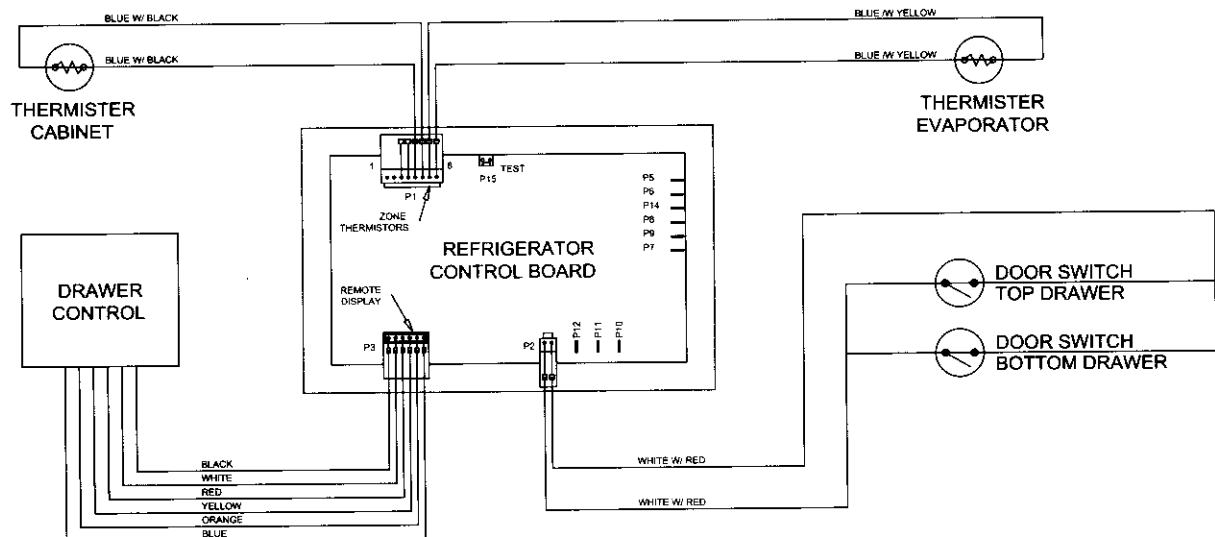
WARNING

-This wiring information is provided for use by qualified service personnel only.
-Disconnect appliance from electrical supply before beginning service.
-Be sure all grounding devices are connected when service is complete.
-Failure to observe the above warnings may result in severe electrical shock.

HIGH VOLTAGE



LOW VOLTAGE

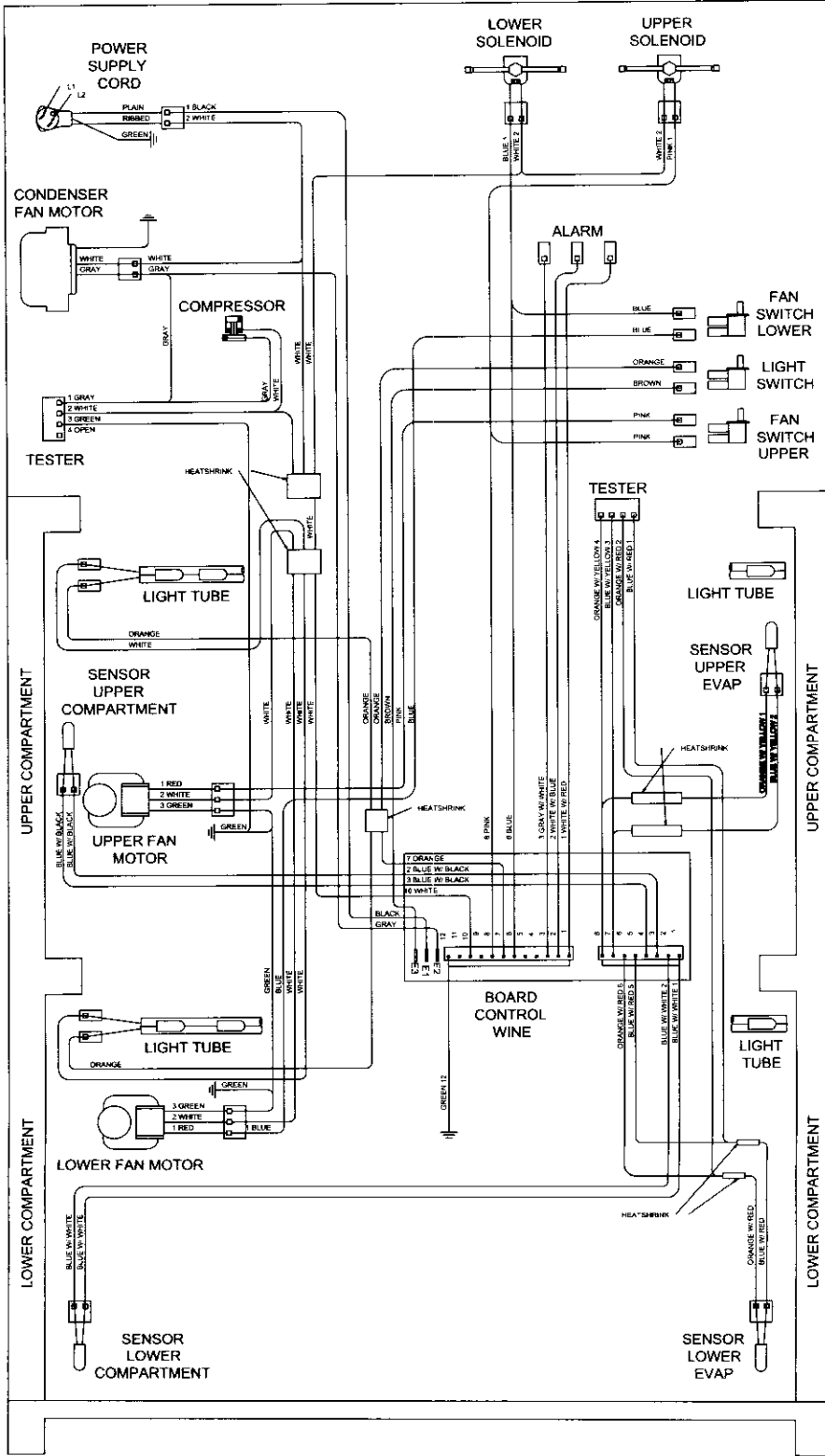


PART NUMBER 3757530 REV A

WIRING DIAGRAM MODEL 430 (Starting with Serial #1944319)

WARNING

-This wiring information is provided for use by qualified service personnel only.
-Disconnect appliance from electrical supply before beginning service.
-Be sure all grounding devices are connected when service is complete.
-Failure to observe the above warnings may result in severe electrical shock.



400 SERIES CONTROL BOARD SUMMARY/LAYOUT

CIRCUIT	DESCRIPTION	FUNCTION	COLOR
J3	120 VOLT CIRCUITS		
E	POWER INTO BOARD		BLACK
E2	COMPRESSOR		GRAY
E3	LIGHTS		BROWN
J5	GROUND		GREEN
P12	EMPTY		
P11	NEUTRAL		WHITE
P10	NEUTRAL INTO BOARD		PINK
P8	COOL S. UPPER COMPARTMENT ON WHEN LIGHTS ON 100%		ORANGE
P7	UPPER SOLENOID VALVE LIGHTS OVERRIDE		BLUE
P6	COOL S. LOWER COMPARTMENT		YELLOW
P5	LOWER SOLENOID VALVE		
P4	EVAPORATOR FANS		
P3	ALARM CIRCUIT-NORMALLY OPEN	FOR HOME ALARMS	GRAY/WHITE
P2	ALARM CIRCUIT-NORMALLY CLOSED	FOR HOME ALARMS	WHITE/RED
P1	ALARM CIRCUIT	FOR HOME ALARMS	WHITE/BLUE
J2	THERMISTOR CIRCUITS		
P	LOWER CABINET	SENSES TEMPERATURE	BLUE/WHITE
P2	UPPER CABINET	SENSES TEMPERATURE	BLUE/WHITE
P4	UPPER CABINET	SENSES TEMPERATURE	BLUE/BLACK
P5	UPPER CABINET	SENSES TEMPERATURE	BLUE/BLACK
P6	LOWER EVAPORATOR	SENSES TEMPERATURE	BLUE/RED
P7	UPPER EVAPORATOR	SENSES TEMPERATURE	ORANGE/RED
P8	UPPER EVAPORATOR	SENSES TEMPERATURE	BLUE/YELLOW
P8	UPPER EVAPORATOR	SENSES TEMPERATURE	ORANGE/YELL

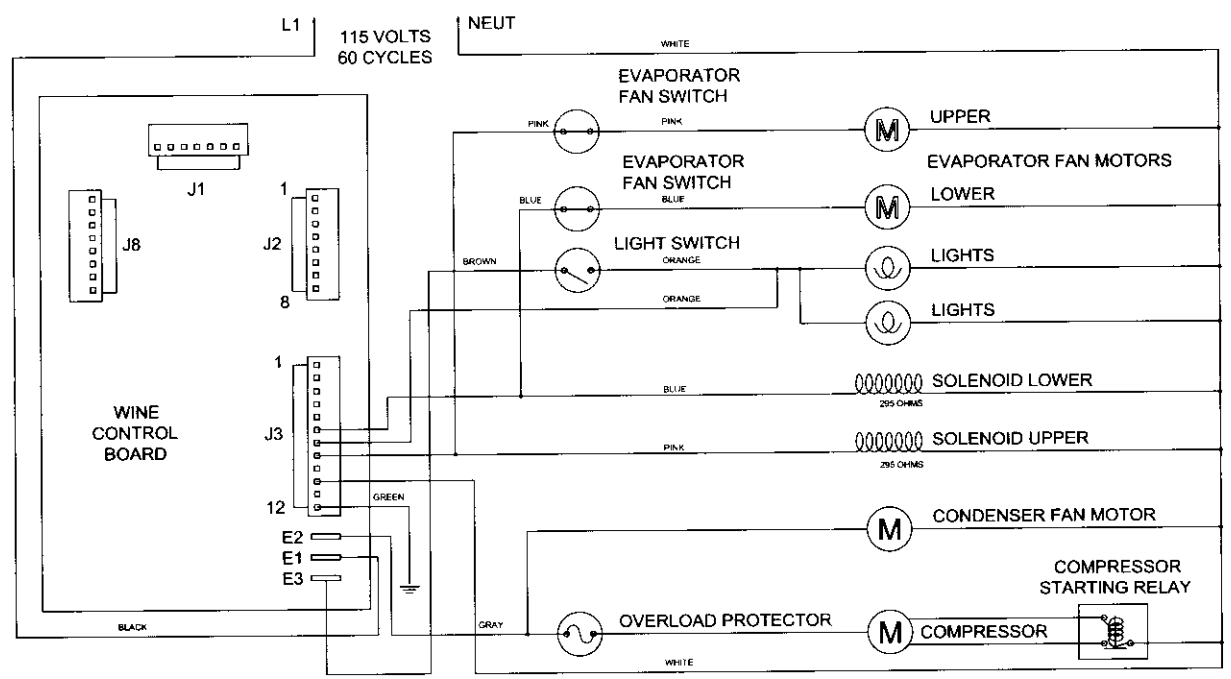
PART NUMBER 3757520 REV. A

WIRING SCHEMATIC MODEL 430 (Starting with Serial #1944319)

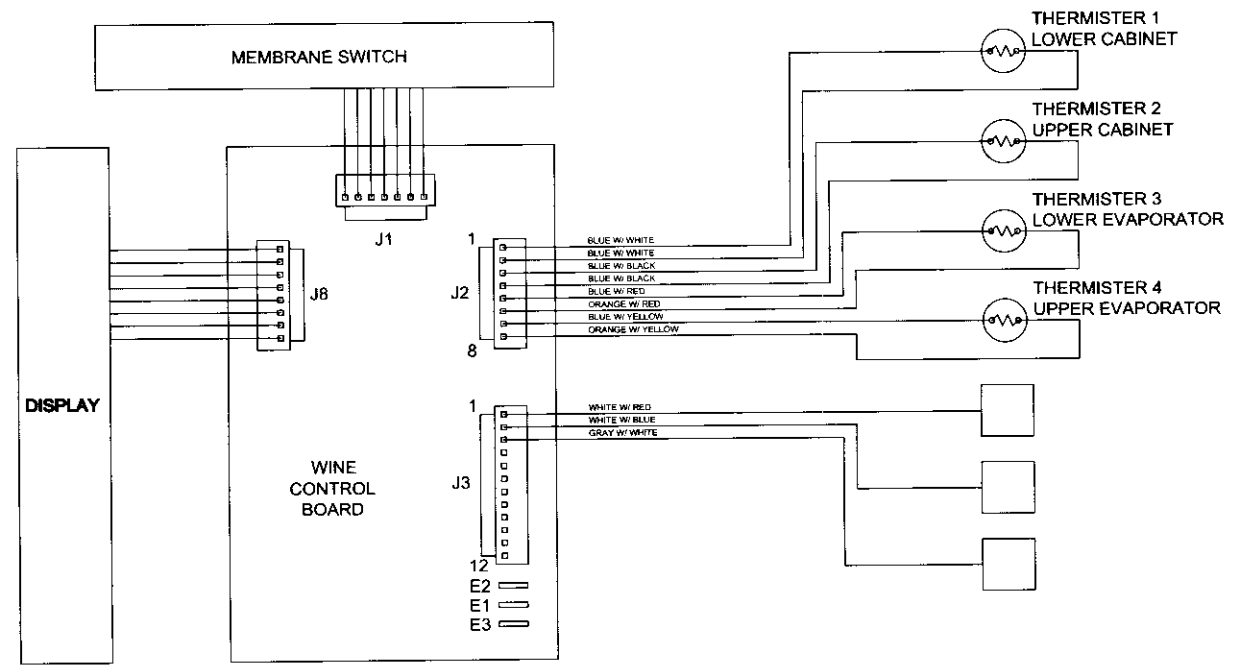
⚠ WARNING

-This wiring information is provided for use by qualified service personnel only.
-Disconnect appliance from electrical supply before beginning service.
-Be sure all grounding devices are connected when service is complete.
-Failure to observe the above warnings may result in severe electrical shock.

HIGH VOLTAGE



LOW VOLTAGE



PART NUMBER 3757520 REV. A