

SECTION 5

AIR FLOW & FAN BLADE SPACING

AIR FLOW DIAGRAMS & EVAPORATOR FAN-BLADE SPACING:

This section illustrates air flow direction through compartments, and proper evaporator fan blade spacing.

NOTE: Prior to serial #1944319, evaporator fans in wine storage compartments run 100% unless the door is open. Starting with serial #1944319, evaporator fans in wine storage compartments cycle with the refrigerant valves.

NOTE: The evaporator fan in refrigerator compartment of model 427R cycles with refrigerator compressor.

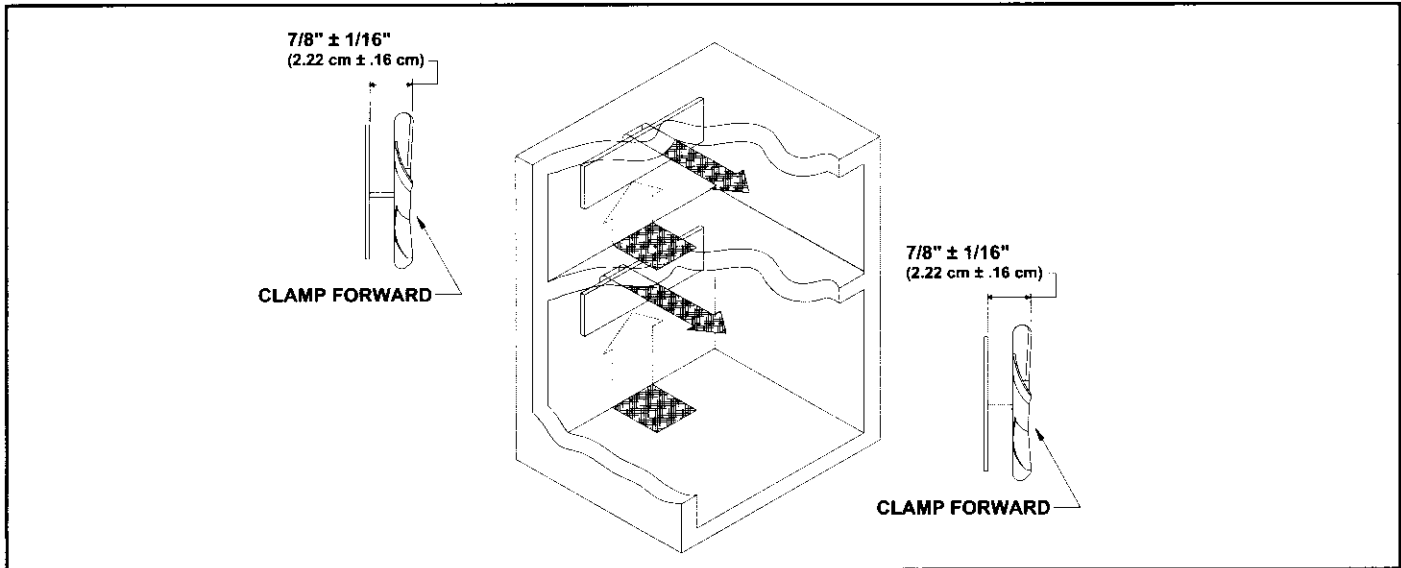


Figure 5-1. Air Flow & Fan Blade Spacing - Model 424

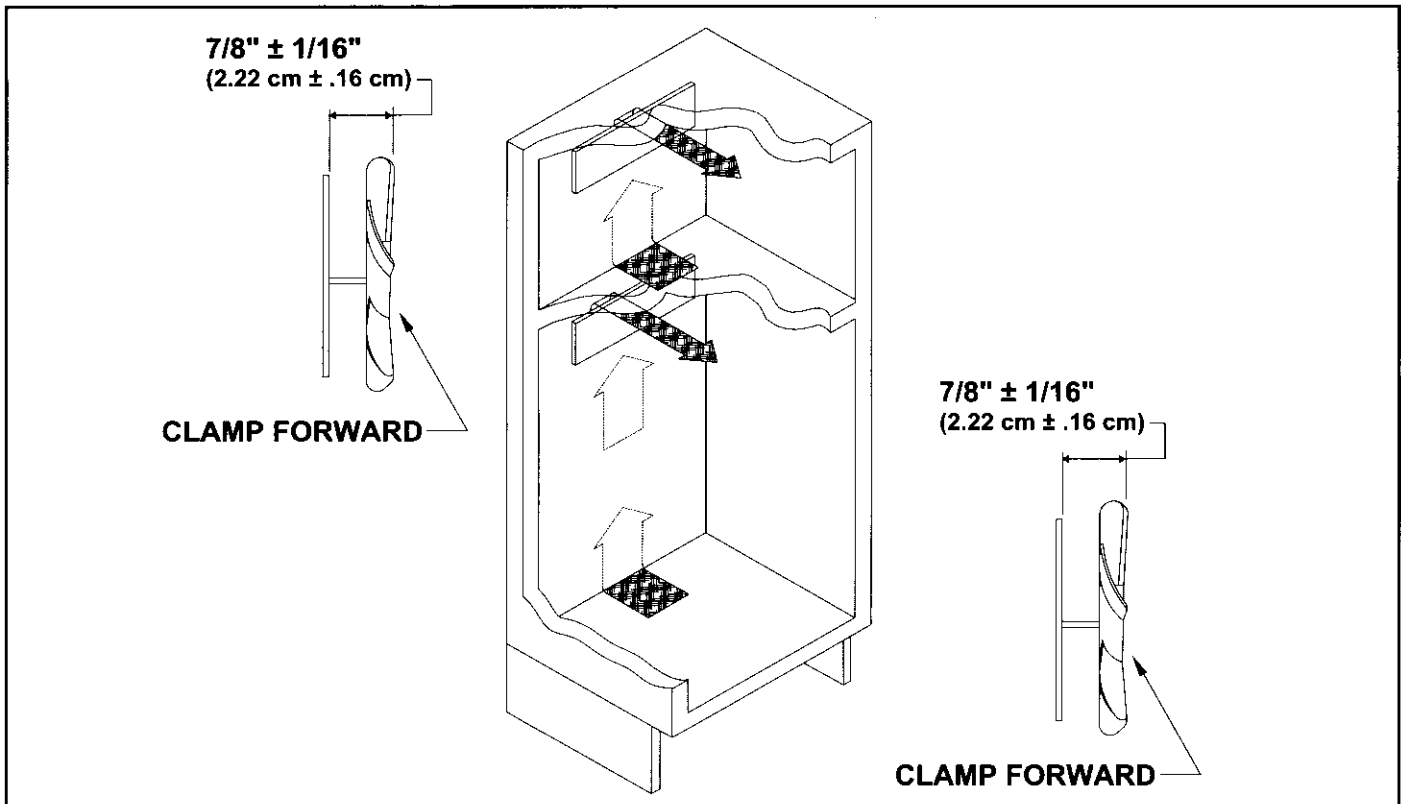


Figure 5-2. Air Flow & Fan Blade Spacing - Model 427

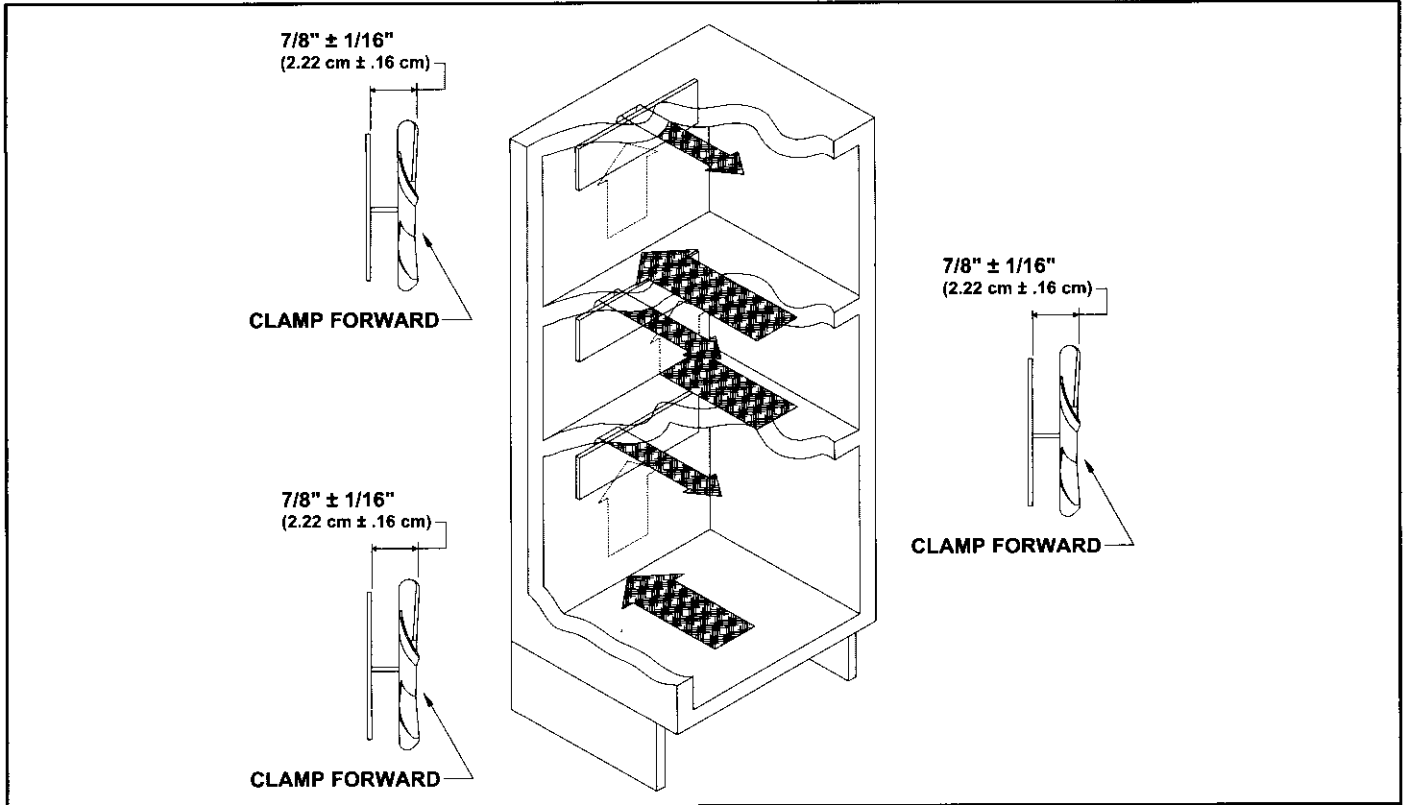


Figure 5-3. Air Flow & Fan Blade Spacing - Model 427R

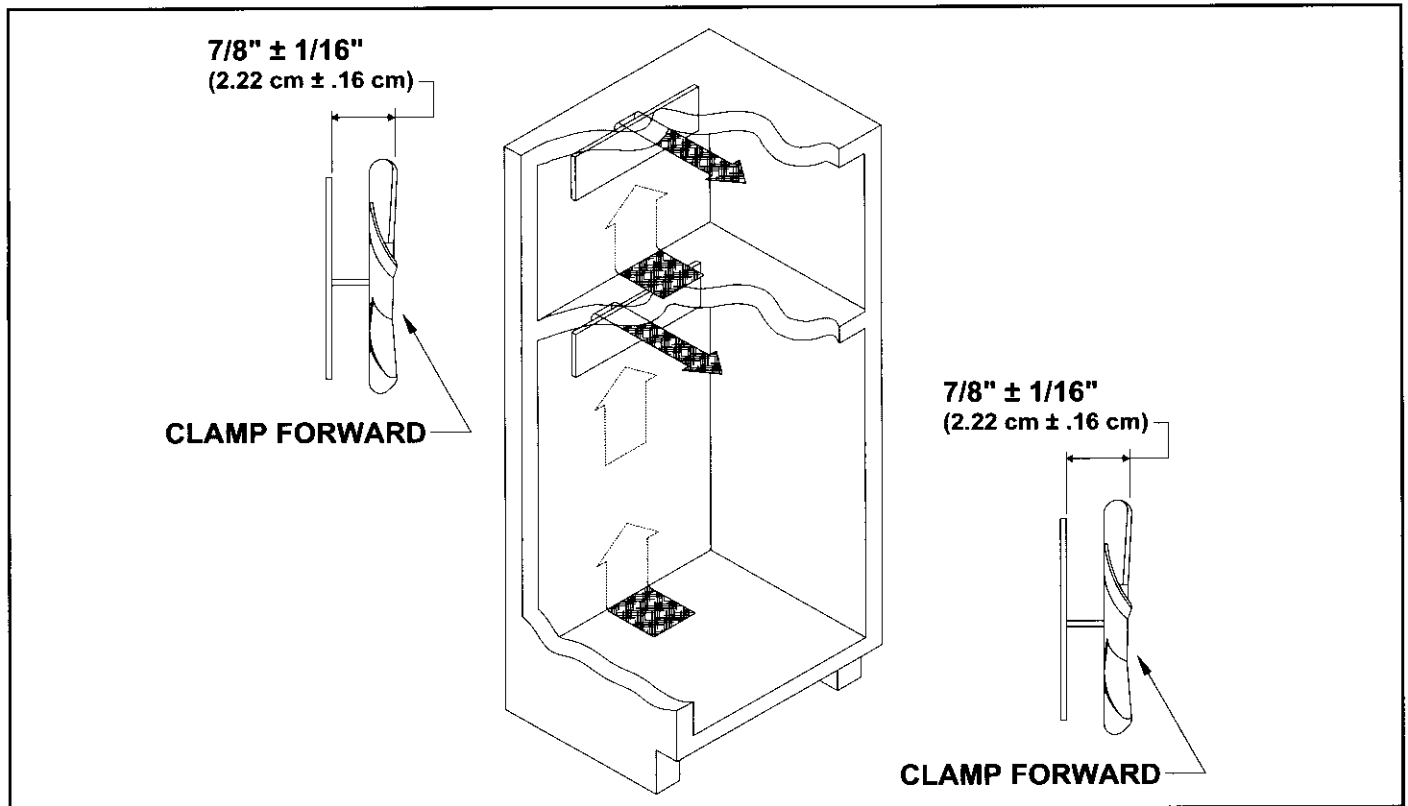


Figure 5-4. Air Flow & Fan Blade Spacing - Model 430